

## Parts Manual

2SF24 & 2SF30  
**24' & 30' 2-Section Drill**  
1986+

# Great Plains

Manufacturing, Inc.

P.O. Box 5060 • Salina, Kansas 67402-5060



Read the Operator's manual entirely. When you see this symbol, the subsequent instructions and warnings are serious - follow without exception. Your life and the lives of others depend on it!

# Great Plains



*Cover illustration may show optional equipment not supplied with standard unit.*

13191

# Table of Contents

<b>Section 1 Introduction</b> . . . . .	<b>1-1</b>	2" x 13" Smooth Crown Press Wheel (2SF24 S/N 3236F+ & 2SF30 S/N 3046G+) . . . . .	8-11
<b>General Information</b> . . . . .	<b>1-1</b>	2" x 13" Smooth Crown Press Wheel (2SF24 S/N 3235F- & 2SF30 S/N 3045G-) . . . . .	8-13
Revisions . . . . .	1-1	2" x 13" Single Press Wheel . . . . .	8-15
Touch-up Paint and Manual Information . . . . .	1-1	2" x 13" Single Press Wheel (1990-) . . . . .	8-17
Replacement Hardware . . . . .	1-1	2" x 13" Double "V" Press Wheel . . . . .	8-19
Part Number Service Coding . . . . .	1-2	2" x 13" Double "V" Press Wheel (1990-) . . . . .	8-21
Part Number Index . . . . .	1-3	3" x 13" Single "V" Crown Press Wheel (2SF24 S/N 3236F+ & 2SF30 S/N 3046G+) . . . . .	8-23
<b>Section 2 Frame</b> . . . . .	<b>2-1</b>	3" x 13" Single "V" Crown Press Wheel (2SF24 S/N 3235F- & 2SF30 S/N 3045G-) . . . . .	8-25
Tongue & Pull Bar . . . . .	2-1	3" x 13" Single "V" Crown Press Wheel . . . . .	8-27
Rotating Square Hammerblow Jack (890-610C) . . . . .	2-3	3" x 14" Peaked Press Wheel (2SF24 S/N 3236F+ & 2SF30 S/N 3046G+) . . . . .	8-29
Square Tube Butler Jack (890-610C) . . . . .	2-5	3" x 14" Peaked Press Wheel (2SF24 S/N 3235F- & 2SF30 S/N 3045G-) . . . . .	8-31
Rotating Square Jack (116-065K) . . . . .	2-7	3" x 14" Peaked Press Wheel . . . . .	8-33
Mainframe & Slide Assembly . . . . .	2-9	4" x 12" Dual Rib Press Wheel . . . . .	8-35
Pivot Post . . . . .	2-11	4" x 12" Smooth & Dual Rib Press Wheel . . . . .	8-37
<b>Section 3 Transport &amp; Gauge Wheel</b> . . . . .	<b>3-1</b>	2" x 13" Heavy Duty Native Grass Press Wheel . . . . .	8-39
Transport Wheel . . . . .	3-1	2" x 13" Native Grass Press Wheel (1990-) . . . . .	8-41
<b>Section 4 Box Assembly</b> . . . . .	<b>4-1</b>	4" x 12" Heavy Duty Native Grass Press Wheel . . . . .	8-43
Box to Frame . . . . .	4-1	Covering Chain . . . . .	8-45
Lid & Step . . . . .	4-3	<b>Section 9 Hydraulics</b> . . . . .	<b>9-1</b>
Ladder Assembly . . . . .	4-5	Transport Hydraulics . . . . .	9-1
Small Seeds Box Assembly . . . . .	4-7	Fold Hydraulics . . . . .	9-3
Small Seeds Box Mounting Assembly . . . . .	4-9	Hydraulic Rod Cylinder (810-020C) . . . . .	9-5
Fertilizer Box Assembly . . . . .	4-11	Lion Hydraulic Cylinder (810-018C & 810-022C) . . . . .	9-7
Fertilizer Slow Moving Vehicle Assembly . . . . .	4-13	Midway Hydraulic Cylinder (810-018C & 810-022C) . . . . .	9-9
Native Grass Box, Lid & Step Assembly . . . . .	4-15	Hydraulic Cylinder (810-147C) . . . . .	9-11
<b>Section 5 Metering System</b> . . . . .	<b>5-1</b>	Hydraulic Cylinder (810-148C) . . . . .	9-13
2SF24 Feeder Cup Channel Assembly . . . . .	5-1	Pilot Operated Check Valve (810-086C) . . . . .	9-15
2SF30 Feeder Cup Channel Assembly . . . . .	5-3	<b>Section 10 Decals</b> . . . . .	<b>10-1</b>
V-Bottom Feeder Cup Tray Divider (Option) . . . . .	5-5	Decal Placement . . . . .	10-1
Vansco Shaft Monitor (Option) . . . . .	5-7	<b>Section 11 Markers</b> . . . . .	<b>11-1</b>
Nede Shaft Monitor (Option) . . . . .	5-9	Flat Fold Marker Assembly . . . . .	11-1
Small Seeds Metering Assembly . . . . .	5-11	Standard Marker . . . . .	11-3
2SF24 Fertilizer Tray Assembly . . . . .	5-13	Marker Disk (113-563S) . . . . .	11-5
2SF30 Fertilizer Tray Assembly . . . . .	5-15	Marker Disk (113-364S) . . . . .	11-7
Native Grass Feed Cup Assembly . . . . .	5-17	Marker Disk (113-305K) . . . . .	11-9
<b>Section 6 Drive</b> . . . . .	<b>6-1</b>	Single Marker Hydraulics . . . . .	11-11
Gauge Wheel Drive . . . . .	6-1	Single Marker-Single Acting Hydraulics . . . . .	11-13
Jack Shaft Drive . . . . .	6-3	Single Marker-Double Acting Hydraulics . . . . .	11-15
Electric Clutch Assembly (Option) . . . . .	6-5	Dual Marker Hydraulics . . . . .	11-17
Small Seeds Drive . . . . .	6-7	Dual Marker-Single Acting Hydraulics . . . . .	11-19
Fertilizer Drive . . . . .	6-9	Dual Marker-Double Acting Hydraulics . . . . .	11-21
Native Grass Drive . . . . .	6-11	Marker Midway Hydraulic Cylinder (810-118C) . . . . .	11-23
Native Grass Upper Drive & Chain Guard . . . . .	6-13	Marker Cross Hydraulic Cylinder (810-118C) . . . . .	11-25
Native Grass Lower Drive & Chain Guard . . . . .	6-15	Marker Midway Hydraulic Cylinder (810-019C) . . . . .	11-27
<b>Section 7 Openers</b> . . . . .	<b>7-1</b>	Marker Cylinder (810-005C) . . . . .	11-29
Option 00 Straight Arm Opener (1994+) . . . . .	7-1	Marker Selector Sequence Valve (810-085C) . . . . .	11-31
Double Disk Opener (Standard 1991-1993) . . . . .	7-3	Marker Double Selector Valve (810-023C) . . . . .	11-33
Heavy Duty Native Grass Opener Assembly . . . . .	7-5	Marker Sequence Valve (810-006C) . . . . .	11-35
Standard Native Grass Opener Assembly . . . . .	7-7	<b>Section 12 Track Removers</b> . . . . .	<b>12-1</b>
Standard Fertilizer Double Disk Opener Assembly . . . . .	7-9	Gauge Wheel Track Removers . . . . .	12-1
Seed Lok® (122-193K and 122-194K) (Option) . . . . .	7-11		
Small Seeds Hose Retainer . . . . .	7-13		
Small Seeds Hose Retainer . . . . .	7-15		
Small Seeds Y-Tube Drop . . . . .	7-17		
Small Seeds Hose Channel Mounting . . . . .	7-19		
Fertilizer Hose Retainer . . . . .	7-21		
<b>Section 8 Press Wheels</b> . . . . .	<b>8-1</b>		
1" x 12" Double "V" Press Wheel . . . . .	8-1		
1" x 12" Double "V" Press Wheel . . . . .	8-3		
1" x 12" Double "V" Press Wheel (1990-) . . . . .	8-5		
1" x 12" Single Press Wheel . . . . .	8-7		
1" x 12" Single Press Wheel (1990-) . . . . .	8-9		

© Copyright 2000 All rights Reserved

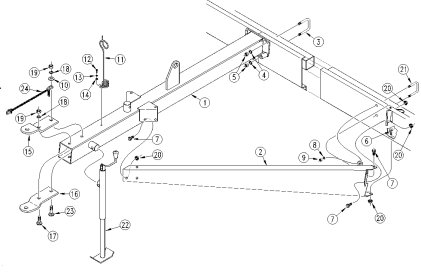
Great Plains Manufacturing, Inc. provides this publication "as is" without warranty of any kind, either expressed or implied. While every precaution has been taken in the preparation of this manual, Great Plains Manufacturing, Inc. assumes no responsibility for errors or omissions. Neither is any liability assumed for damages resulting from the use of the information contained herein. Great Plains Manufacturing, Inc. reserves the right to revise and improve its products as it sees fit. This publication describes the state of this product at the time of its publication, and may not reflect the product in the future. The illustrations in this manual are not intended for safe and proper assembly or disassembly of equipment. The illustrations are intended for ordering parts only.

Great Plains Manufacturing, Incorporated Trademarks

The following are trademarks of Great Plains Mfg., Inc.: Application Systems, Ausherman, Land Pride, Great Plains

All other brands and product names are trademarks or registered trademarks of their respective holders.

Printed in the United States of America.

Section Number & Description	Serial Number Break	Illustration Page	Parts Page
<p>Section 2 Frames  <b>Tongue &amp; Pull Bar (S/N 00000-)</b>                      Great Plains Mfg., Inc.</p> <p><b>Illustration Heading</b></p>  <p><b>Illustration</b></p> <p>10207</p> <p>2-1 EWD13 13' End Wheel Drill 175-083P 5/21/98</p> <p><b>Left Page Number</b></p> <p><b>Manual Name &amp; Number</b></p> <p><b>New or Modification Date</b></p>			<p>Great Plains Mfg., Inc. Section 2 Frames  <b>Tongue &amp; Pull Bar (S/N 00000-)</b></p> <p><b>Parts List</b></p> <ol style="list-style-type: none"> <li>1. 177-001H 13' END WHEEL TONGUE WELDMENT</li> <li>2. 177-004H PULL BAR WELDMENT LH</li> <li>2. 177-005H PULL BAR WELDMENT RH</li> <li>3. 806-032C U-BOLT 5/8-11 X 3 17/32 UNEVEN</li> <li>4. 804-022C WASHER LOCK SPRING 5/8 PLT</li> <li>5. 803-021C NUT HEX 5/8-11 PLT</li> <li>6. 802-183C RHSNB 1/2-13X1 GR5</li> <li>7. 802-083C HFSS 1/2-13X1 1/4 GR8</li> <li>8. 804-015C WASHER LOCK SPRING 1/2 PLT</li> <li>9. 803-020C NUT HEX 1/2-13 PLT</li> <li>10. 177-587D SAFETY CHAIN WASHER</li> <li>11. 807-023C SPRING HOSE LOOP</li> <li>12. 801-028C SCREW HEX 3/8-16X1 TYPE F</li> <li>13. 804-013C WASHER LOCK SPRING 3/8 PLT</li> <li>14. 804-012C WASHER FLAT 3/8 SAE PLT</li> <li>15. 177-009D CLEVIS HITCH TOP HALF</li> <li>16. 177-008D CLEVIS HITCH BOTTOM HALF</li> <li>17. 802-177C RHSNB 3/4-10X2 1/2 GR5</li> <li>18. 804-023C WASHER LOCK SPRING 3/4 PLT</li> <li>19. 803-027C NUT HEX 3/4-10 PLT</li> <li>20. 803-037C NUT HEX WHIZ 1/2-13 PLT</li> <li>21. 806-028C U-BOLT 1/2-13 X 3 17/32 X4 3/4</li> <li>22. 890-118C SCREW JACK 2000#</li> <li>23. 802-289C RHSNB 3/4-10X3 GR5</li> <li>24. 890-182C SAFETY CHAIN 10000 LB</li> </ol> <p>7/1/98 EWD13 13' End Wheel Drill 175-083P 2-2</p> <p><b>Right Page Number</b></p>

## General Information

### Revisions

Please refer to the date at the bottom of each page for the most current version of the equipment. Serial number breaks are at the top of the page at the end of the illustration heading, refer to the illustration above.

### Touch-up Paint and Manual Information

Repaint parts where paint is worn or scratched to prevent rust. Aerosol touch-up paint is available. To order use Great Plains part numbers below:

- GP Green . . . . .821-001C
- GP Black . . . . .821-002C
- GP Beige . . . . .821-003C
- GP Buckskin . . . . .821-004C
- LP Beige . . . . .821-011C
- LP Black . . . . .821-032C

Replacement manuals available. Use Great Plains part 155-015P.

### Replacement Hardware

All bolts and nuts are grade 5 unless otherwise noted. The use of improper grades of hardware can result in personal injury, damage to equipment, or loss of property. See **“Hardware Legend”** on page 1-2, for hardware abbreviations used within all parts lists.

## Hardware Legend

AR	As Required
BLADE	Blade Bolt
C	Cap Screw
CP	Cotter Pin
CPHSSS	Cup Point Hex Socket Set Screw
CPSHSS	Cup Point Square Head Set Screw
CPSQHSS	Cup Point Square Head Set Screw
CRFCHMS	Cross Recess Flat Countersunk Head Mach. Screw
CRPHMS	Cross Recess Pan Head Machine Screw
CRPHTFS	Cross Recess Pan Head Thread Forming
CRRHMS	Cross Recess Round Head Machine Screw
CRTHMS	Cross Recess Truss Head Machine Screw
CSNB	Countersunk Square Neck Bolt
FHMS	Flat Head Machine Screw
FTC	Full Thread Cap Screw
H	Hex Nut
HCLN	Hex Center Lock Nut
HFLCS	Hex Flange Lock Cap Screw
HFS	Hex Flange Screw
HFSLN	Hex Flange Serrated Lock Nut
HFSS	Hex Flange Serrated Screw
HHCS	Hex Head Cap Screw or Metric Bolt
HSBHCS	Hex Socket Button Head Cap Screw
HSFCHCS	Hex Socket Flat Countersunk Head Cap Screw
HSHCS	Hex Socket Head Cap Screw
HSSS	Hex Socket Head Screw
HTLN	Hex Top Lock Nut
HWHCS	Hex Washer Head Cap Screw

HWHMS	Hex Washer Head Machine Screw
HXBHCS	Hex Socket Button Head Cap Screw
J	Hex Jam Nut
JIC	37 Degree Tapered Thread
L	Helical Spring Lock Washer
LUG	Lug Bolt
NFC	National Fine Cap Screw
NPSM	National Pipe Straight Mechanical
NPTF	National Pipe Taper Fuel
P	Wide Plain Washer
PHMS	Pan Head Machine Screw
PLOW	Plow Bolt
RHMS	Round Head Machine Screw
RHSNB	Round Head Square Neck Bolt
SCREW LEVELING	Leveling Screw
SCREW THUMB	Thumb Screw
SCREW WELD	Weld Screw
SFCHMS	Slotted Flat Countersunk Head Machine Screw
SFHMS	Slotted Fillister Head Machine Screw
SP	Special
SP SCREW	Special Screw
SQHSS	Square Head Set Screw
SRHMS	Slotted Round Head Machine Screw
SSS	Socket Set Screw
STCS	Self Tapping Cap Screw
STHMS	Slotted Truss Head Machine Screw
WHEEL	Wheel Studs and Hub Long Bolts
WING	Wing Bolt

## Part Number Service Coding

Within the following parts lists some part numbers are coded for revisions and interchangeability.

### Legend:

Newest serial numbers are listed first.

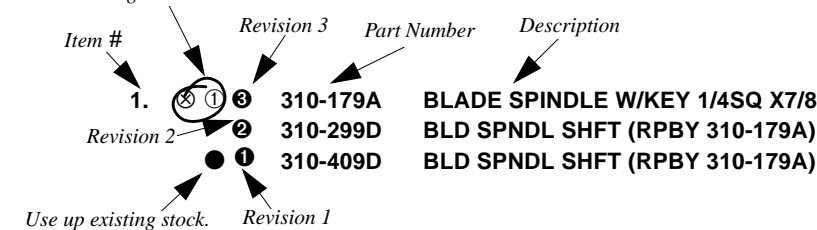
**Bold face type indicates parts that are serviced. These parts are considered interchangeable, if it supersedes another part, unless otherwise noted.**

### Example:

- (S/N 20001+) Includes serial numbers 20001 and above (to the newest numbers)
- (S/N 10001↔20000) Includes serial numbers between and including 10001 and 20000
- (S/N 10000-) Includes serial numbers 10000 and below (to the oldest number)

- ① First revision, e.g.; ② is 2nd revision, ③ is 3rd revision, etc. (Greater numbers are the newest.)
- The existing stock for this part should be used up before ordering the new part.
- ⊗ Not interchangeable
- ⊗①② Revision 2 is not interchangeable w/1

Not interchangeable with revision 1



**Part Number Index**

<b>Part Number</b>	<b>Page</b>	<b>Part Number</b>	<b>Page</b>	<b>Part Number</b>	<b>Page</b>	<b>Part Number</b>	<b>Page</b>
1-100-02-00	11-6	107-027D	7-2	112-2511-001	6-6	116-064D	2-8
10-50057	2-6	107-027D	7-4	112-2528-001	6-6	116-065D	2-8
10-50058	2-6	107-027D	7-6	113-147H	11-2	116-066D	2-8
10-70020	2-6	107-027D	7-8	113-179H	11-2	116-068D	2-8
10-80012	2-6	107-075D	8-18	113-180H	11-2	116-069D	2-8
10-80028	2-6	107-075D	8-22	113-181H	11-2	118-121D	5-2
10-80054	2-6	107-075D	8-6	113-182H	11-2	118-122D	5-2
10-80147	2-6	107-097D	7-10	113-183H	11-2	118-123D	5-2
20-20028	2-6	107-097D	7-4	113-184H	11-2	118-124D	5-2
001015	2-4	107-097D	7-6	113-188H	11-2	118-125D	5-2
1022	11-32	107-097D	7-8	113-189H	11-2	118-127D	5-2
1042	11-32	107-111D	11-4	113-190H	11-2	118-128D	5-2
1066	11-32	107-111D	7-2	113-192H	11-2	118-129D	5-2
1079	11-32	107-111D	7-4	113-194H	11-2	118-130D	5-2
1079	11-34	107-111D	7-6	113-195H	11-2	118-131D	5-2
1083	11-34	107-111D	7-8	113-196H	11-2	118-131D	5-2
1084	11-32	107-113D	7-2	113-197H	11-2	118-154H	4-2
1084	11-34	107-113D	7-4	113-198H	11-2	118-155D	4-2
1088-210	11-34	107-113D	7-6	113-199H	11-2	118-156D	4-2
1089-210	11-34	107-113D	7-8	113-200H	11-2	118-156H	4-2
1097	11-34	107-134A	7-2	113-218H	11-2	118-157D	4-2
1099	11-32	107-134A	7-4	113-248D	11-2	118-264D	5-4
1132-4	9-16	107-134A	7-6	113-289S	11-2	118-265D	5-4
1151	9-16	107-134A	7-8	113-303S	11-10	118-266D	5-4
2007	11-34	107-136S	7-2	113-304H	11-10	118-267D	5-4
2044	11-32	107-136S	7-4	113-311D	11-2	118-268D	5-4
2087	11-32	107-136S	7-6	113-312D	11-2	118-270D	5-4
3062	11-34	107-136S	7-8	113-313D	11-2	118-271D	5-4
3084	9-16	1087-250	11-32	113-323D	11-2	118-272D	5-4
006125	2-4	1087-437	11-32	113-324D	11-2	118-273D	5-4
8044	9-16	1088-210	11-32	113-325D	11-2	118-274D	5-4
009052	2-4	1089-210	11-32	113-328D	11-2	118-325D	5-6
009062	2-4	109-002H	5-2	113-351D	11-2	118-326D	5-6
015796	2-4	109-002H	5-4	113-060H	11-4	118-327D	5-6
016048	2-4	109-003S	5-2	113-061H	11-4	118-328D	5-6
016053	2-4	109-003S	5-4	113-062H	11-4	118-329D	5-6
017012	2-4	109-025H	5-14	113-063H	11-4	118-331D	5-2
017802	2-4	109-025H	5-16	113-064H	11-4	118-331D	5-4
017806	2-4	109-025H	5-2	113-065H	11-4	118-331D	5-6
020022	2-4	109-025H	5-4	113-066H	11-4	118-652D	4-2
020023	2-4	109-031D	6-10	113-067H	11-4	119-001H	4-12
82464	11-30	109-031D	6-4	113-110D	11-4	119-001H	4-4
83198	11-30	109-039D	5-2	113-111D	11-4	119-032D	4-12
119254	9-8	109-039D	5-4	113-132D	11-4	119-032D	4-4
129090	9-8	109-039D	6-10	113-154D	11-18	119-032D	4-6
134952	9-8	109-055E	6-2	113-154D	11-20	119-106D	4-12
134953	9-8	109-058K	6-2	113-154D	11-22	119-106D	4-4
186561	9-8	109-064D	6-10	113-281H	11-4	119-108D	4-4
253000	5-8	109-064D	6-2	113-305K	11-4	119-128D	4-6
253001	5-8	109-064D	6-4	113-310D	11-2	119-129D	4-12
253700	5-8	109-064D	6-6	113-319D	11-2	119-129D	4-4
253701	5-8	109-069D	5-2	113-354D	11-4	119-131D	4-6
458599	9-8	109-069D	5-4	113-355D	11-4	119-132H	4-12
491670	9-8	109-039D	6-12	113-369H	11-6	119-146H	4-12
491980	9-8	1091-4-6	11-32	113-369H	11-8	119-146H	4-4
492220	9-8	1092-6-6	11-32	113-562H	11-6	119-147H	4-12
492529	9-8	1092-6-6	11-32	1132-10	11-32	119-147H	4-4
494517	9-8	1093-6-6	11-32	116-004H	12-2	119-179H	4-6
494616	9-8	110-0109-001	6-6	116-011D	12-2	119-001H	4-16
701140	2-4	110-015D	4-12	116-030K	6-6	119-014D	4-16
712205	2-4	110-015D	4-4	116-031K	6-6	119-106D	4-16
102-006K	3-2	110-016D	4-12	116-037H	2-8	119-146H	4-16
107-027D	7-10	110-016D	4-4	116-038H	2-8	119-147H	4-16
107-096D	11-2	110-015D	4-16	116-042H	2-8	119-153H	4-16
107-111D	7-10	110-016D	4-16	116-052D	6-6	120-001E	6-2
107-112D	11-10	111-001H	2-2	116-053D	6-6	120-002E	6-2
107-113D	7-10	111-002H	2-2	116-054D	6-6	120-003E	6-2
107-134A	7-10	112-2274-001	6-6	116-055D	2-8	120-011D	6-4
107-136S	7-10	112-2275-001	6-6	116-061H	2-8	120-011D	6-6
		112-2510-001	6-6	116-062D	2-8	120-020H	6-4

**Part Number Index**

<b>Part Number</b>	<b>Page</b>	<b>Part Number</b>	<b>Page</b>	<b>Part Number</b>	<b>Page</b>	<b>Part Number</b>	<b>Page</b>
120-020H	6-6	121-092D	8-8	122-041D	8-44	122-135H	8-20
120-030D	6-6	121-093D	6-14	122-055S	8-16	122-158D	8-16
120-035D	6-2	121-101D	7-10	122-055S	8-20	122-158D	8-20
120-041H	6-2	121-110D	7-10	122-055S	8-28	122-158D	8-40
120-042H	6-2	121-123D	8-40	122-055S	8-34	122-159D	8-28
120-043H	6-2	121-123D	8-44	122-055S	8-38	122-162H	8-40
120-044H	6-2	121-127D	7-10	122-055S	8-4	122-173H	7-12
120-053D	6-2	121-128D	7-10	122-055S	8-8	122-188H	8-14
120-065S	6-2	121-704H	7-10	122-061D	8-16	122-188H	8-16
120-069H	6-16	121-705A	7-10	122-061D	8-20	122-188H	8-26
120-069H	6-2	121-011A	7-2	122-061D	8-28	122-188H	8-28
120-070H	6-16	121-011A	7-4	122-061D	8-34	122-188H	8-32
120-070H	6-2	121-011A	7-6	122-061D	8-38	122-188H	8-34
120-080H	6-2	121-011A	7-8	122-061D	8-4	122-188H	8-36
120-101D	5-4	121-017E	7-4	122-061D	8-8	122-188H	8-38
120-103D	5-2	121-017E	7-6	122-065D	8-16	122-189V	8-14
120-104D	5-2	121-017E	7-8	122-065D	8-20	122-189V	8-16
120-105D	5-2	121-025D	7-4	122-065D	8-28	122-189V	8-20
120-106D	5-2	121-025D	7-6	122-065D	8-34	122-189V	8-40
120-107D	5-2	121-025D	7-8	122-065D	8-38	122-190V	8-16
120-109D	5-2	121-090D	7-4	122-065D	8-4	122-190V	8-20
120-110D	5-2	121-090D	7-8	122-065D	8-8	122-192V	8-26
120-111D	5-2	121-091D	7-4	122-087D	8-40	122-192V	8-28
120-112D	5-2	121-091D	8-10	122-087D	8-44	122-197V	8-36
120-113D	5-2	121-091D	8-18	122-090H	8-44	122-197V	8-38
120-115D	5-4	121-091D	8-22	122-094D	8-36	122-197V	8-44
120-116D	5-4	121-091D	8-6	122-094D	8-38	122-198V	8-30
120-117D	5-4	121-092D	7-4	122-094D	8-44	122-198V	8-32
120-120D	5-4	121-092D	7-6	122-103S	8-36	122-198V	8-34
120-121D	5-4	121-092D	7-8	122-103S	8-38	122-199V	8-38
120-122D	5-4	121-092D	8-10	122-103S	8-44	122-202S	8-12
120-123D	5-4	121-092D	8-18	122-104S	8-38	122-202S	8-14
120-124H	6-2	121-093D	8-22	122-110D	8-30	122-202S	8-2
120-126H	6-2	121-093D	8-6	122-110D	8-32	122-202S	8-24
120-145S	6-2	121-101D	7-4	122-110D	8-34	122-202S	8-26
120-159D	6-4	121-101D	7-6	122-110H	8-16	122-202S	8-30
120-159D	6-6	121-101D	7-8	122-110H	8-28	122-202S	8-32
120-159D	6-8	121-110D	7-4	122-110H	8-34	122-202S	8-36
120-160D	6-14	121-110D	7-6	122-110H	8-38	122-233A	8-16
120-160D	6-4	121-110D	7-8	122-110H	8-8	122-233A	8-20
120-161H	5-2	121-111D	7-8	122-111D	8-26	122-233A	8-40
120-161H	5-4	121-123D	8-42	122-111D	8-28	122-234A	8-28
120-167D	6-6	121-125D	7-2	122-114D	8-14	122-2560-000	6-6
120-169D	5-4	121-127D	7-2	122-114D	8-16	122-2564-000	6-6
120-170D	5-4	121-127D	7-4	122-114D	8-20	122-002D	8-14
120-170H	6-2	121-127D	7-6	122-114D	8-40	122-002S	8-18
120-171D	5-2	121-127D	7-8	122-115D	8-14	122-002S	8-22
120-171D	5-4	121-128D	7-2	122-115D	8-16	122-002S	8-42
120-176D	6-4	121-128D	7-4	122-115D	8-20	122-007H	8-22
120-177H	6-2	121-128D	7-6	122-115D	8-26	122-008H	8-22
120-178H	6-2	121-128D	7-8	122-115D	8-28	122-021D	8-22
120-190S	6-2	121-133D	7-2	122-115D	8-40	122-055S	8-10
121-011A	7-10	121-147H	7-4	122-115S	8-14	122-055S	8-18
121-017E	7-10	121-164D	7-2	122-115S	8-16	122-055S	8-22
121-025D	7-10	121-703H	7-2	122-115S	8-20	122-055S	8-6
121-090D	7-10	121-704H	7-2	122-115S	8-40	122-061D	8-10
121-091D	8-16	121-704H	7-4	122-116S	8-26	122-061D	8-18
121-091D	8-20	121-705A	7-2	122-116S	8-28	122-061D	8-22
121-091D	8-28	121-705A	7-4	122-117S	8-30	122-061D	8-6
121-091D	8-34	122-001D	8-26	122-117S	8-32	122-062H	8-38
121-091D	8-38	122-001D	8-28	122-117S	8-34	122-063H	8-18
121-091D	8-4	122-002D	8-16	122-124D	8-26	122-064H	8-22
121-091D	8-8	122-002D	8-20	122-124D	8-28	122-065D	8-10
121-092D	7-10	122-002D	8-40	122-125D	8-32	122-065D	8-18
121-092D	8-16	122-021D	8-20	122-125D	8-34	122-065D	8-22
121-092D	8-20	122-041D	8-30	122-128D	8-36	122-065D	8-6
121-092D	8-28	122-041D	8-32	122-128D	8-38	122-082H	8-10
121-092D	8-34	122-041D	8-34	122-130H	8-8	122-087D	8-42
121-092D	8-38	122-041D	8-36	122-132H	8-4	122-088H	8-42
121-092D	8-4	122-041D	8-38	122-134H	8-20	122-096D	7-12

**Part Number Index**

<b>Part Number</b>	<b>Page</b>	<b>Part Number</b>	<b>Page</b>	<b>Part Number</b>	<b>Page</b>	<b>Part Number</b>	<b>Page</b>
122-104S	8-36	123-178D	7-20	141-116H	6-10	155-004H	2-10
122-104S	8-44	123-179D	7-20	142-003E	5-16	155-026A	4-4
122-105H	8-6	123-180D	7-20	142-005E	5-16	155-026D	2-10
122-108H	8-16	123-181D	7-20	142-005E	5-16	155-027D	2-10
122-108H	8-8	123-182D	7-20	142-009D	6-10	156-005H	2-12
122-114D	8-14	123-183D	7-20	142-011K	5-16	156-006H	2-12
122-120D	7-12	123-184D	7-20	142-011K	5-16	156-008E	2-12
122-147D	7-12	123-185D	7-20	142-022D	5-16	156-010H	2-12
122-151D	7-12	123-186D	7-20	142-029D	5-16	156-013E	2-12
122-158D	8-14	123-187D	7-20	142-035D	4-12	156-014E	2-12
122-170H	7-12	123-188D	7-20	142-036D	4-12	156-015S	2-12
122-183S	7-12	123-189D	7-20	142-041H	4-12	156-016V	2-10
122-190V	8-14	123-203D	7-14	142-042H	4-12	156-017H	2-10
122-191V	8-26	123-207D	5-12	142-043E	5-14	156-018H	2-10
122-199V	8-36	123-209D	5-12	142-044E	5-14	156-019H	2-10
122-199V	8-44	123-211D	5-12	142-045E	5-14	156-045D	2-10
122-201S	7-12	123-213D	5-12	142-046E	5-14	156-046D	2-10
122-231A	7-12	123-215D	5-12	142-047E	5-14	156-047D	2-10
122-233A	8-14	123-217D	5-12	142-054E	5-16	156-048D	2-10
122-242S	7-2	123-218D	5-12	142-055E	5-16	156-049D	2-10
123-004D	6-8	123-219D	5-12	142-056E	5-16	156-029K	2-10
123-050H	5-12	123-220D	5-12	142-057E	5-16	156-032H	2-10
123-051D	4-8	123-221D	5-12	142-058E	5-16	156-057D	2-10
123-051D	5-12	123-222D	5-12	142-062D	5-14	156-057D	2-12
123-051H	5-12	123-223D	5-12	142-065E	5-14	157-001H	2-2
123-052D	6-8	123-224D	5-12	142-066E	5-14	157-002H	2-2
123-053E	5-12	123-231D	7-18	142-067E	5-14	157-003H	2-2
123-059H	4-8	123-232D	7-18	142-068E	5-14	158-053H	4-2
123-060H	4-8	123-235D	7-20	142-069E	5-14	158-054H	4-2
123-061H	4-8	123-264D	6-8	142-076E	5-16	170-033H	2-2
123-062H	4-8	123-265D	6-8	142-077E	5-16	170-034H	2-2
123-064H	4-8	123-270D	6-8	142-078E	5-16	170-038A	2-2
123-076H	4-8	123-271D	6-8	142-079E	5-16	170-039A	2-2
123-077H	4-8	123-284H	6-8	142-080E	5-16	170-040H	2-2
123-078H	4-8	123-285H	6-8	142-082E	5-14	170-058H	2-2
123-079H	4-8	123-288D	6-8	142-083E	5-16	170-059A	2-2
123-080H	4-8	123-291D	4-10	142-084E	5-16	172-018D	6-6
123-081H	4-8	123-291H	4-10	142-085E	5-16	172-019D	6-6
123-082H	4-8	123-292H	4-10	142-086E	5-16	172-074D	6-6
123-083H	4-8	123-293D	6-8	142-087E	5-16	176-025S	6-6
123-084H	4-8	123-293H	4-10	142-089K	5-14	176-026S	6-6
123-085H	4-8	123-294D	6-8	142-090K	5-14	188-001V	11-10
123-086H	4-8	123-308S	6-8	142-091K	5-16	188-001V	7-10
123-087H	4-8	123-310D	4-8	142-092E	5-14	188-001V	8-2
123-088H	4-8	123-317H	4-10	142-093E	5-14	188-001V	8-4
123-089H	4-8	123-202D	7-16	142-094E	5-14	188-001V	8-8
123-090H	4-8	123-204D	6-12	142-095E	5-14	188-001V	7-2
123-091H	4-8	123-294H	6-8	142-096E	5-16	188-001V	7-4
123-092H	4-8	123-298D	7-16	142-125D	6-10	188-001V	7-6
123-093H	4-8	123-307D	7-16	142-126D	6-10	188-001V	7-8
123-096H	4-8	132-084D	6-6	142-126E	5-16	188-008V	7-12
123-097H	4-8	133-065D	7-14	142-127E	5-16	189-007H	4-6
123-098H	4-8	133-065D	7-22	142-161S	5-16	194-070D	2-2
123-099H	4-8	141-011E	5-14	142-328H	7-10	198-137D	8-12
123-100H	4-8	141-011E	5-16	142-520H	7-22	198-137D	8-14
123-101H	4-8	141-013H	5-14	142-701H	7-22	198-137D	8-2
123-102H	4-8	141-013H	5-16	142-198D	7-2	198-137D	8-24
123-103H	4-8	141-014E	5-16	142-824H	7-2	198-137D	8-26
123-112D	5-12	141-016E	5-16	145-006E	6-10	198-137D	8-30
123-113D	5-12	141-018E	5-16	145-016S	6-10	198-137D	8-32
123-116D	5-12	141-020E	5-16	145-022S	5-16	198-137D	8-36
123-118D	4-8	141-041E	5-14	148-254D	2-10	199-025D	8-14
123-121H	4-8	141-041E	5-16	152-055D	6-4	199-025D	8-26
123-125D	4-8	141-063E	5-16	154-002H	2-2	199-025D	8-32
123-143D	7-20	141-064E	5-16	154-001H	2-2	199-025D	8-36
123-147D	7-20	141-065E	5-16	155-002H	2-10	199-030D	8-30
123-148D	7-20	141-083D	5-14	155-006H	3-2	199-031D	8-36
123-149D	7-20	141-083D	5-16	155-013A	3-2	1D0005-2250	11-26
123-150D	7-20	141-084D	5-14	155-054D	2-10	1D0204-2475	11-26
123-151D	7-20	141-084D	5-16	155-164D	2-10	1D1003-4	11-26

## Part Number Index

Part Number	Page	Part Number	Page	Part Number	Page	Part Number	Page
1D1155-13	11-26	202-335H	6-12	3R6912	9-12	800-004C	6-12
1D1401-250	11-26	202-499B	10-2	4C2024	11-26	800-005C	6-12
1D1582-16275	11-26	202-499B	4-2	4M3102	11-24	800-008C	7-2
1M6005	9-10	206-021D	7-12	4M3102	9-10	800-008C	7-6
1M6006	11-24	2A0006	11-24	4M4104	11-28	800-009C	7-2
1M7016	11-28	2A0006	11-28	4M6108	9-6	800-009C	7-4
1M7016	9-12	2A0006	9-10	4R5108	9-14	800-009C	7-6
1M7016	9-14	2A0006	9-12	4R6108	9-12	800-009C	7-8
1M7016	9-6	2A0006	9-14	5M3118	9-10	800-024C	7-16
1V1880	11-36	2A0006	9-6	5M3128	11-24	800-029C	7-16
1V1882	11-36	2A0012	11-24	5M4128	11-28	800-046C	2-6
1V2003	11-36	2A0012	11-28	5M6118	9-6	800-056C	5-10
1V2003	11-36	2A0012	9-10	5R5128	9-14	800-067C	7-6
200-001D	3-2	2A0012	9-12	5R5164	9-14	800-067C	7-8
200-012S	6-2	2A0012	9-14	5R6128	9-12	800-082C	11-12
202-007D	5-18	2A0012	9-6	640069X	2-4	800-082C	11-18
202-009H	6-14	2A0014	11-28	6R0154	9-10	800-093C	7-12
202-055D	5-18	2A0017-6	11-36	6R0158	11-24	800-112C	4-4
202-120D	6-14	2A0017-8	11-36	6R1140	11-28	800-148C	4-4
202-132D	6-14	2A0018	9-14	6R5164	9-6	800-304C	7-14
202-326H	6-16	2A0018	9-6	6R6164	9-12	801-001C	4-12
202-326H	6-2	2A0019	9-12	701029X	2-4	801-001C	5-12
202-327H	6-16	2A0022	11-24	7M3318	9-10	801-001C	5-2
202-327H	6-2	2A0022	9-10	7M3328	11-24	801-001C	5-4
202-328H	6-14	2A0024	11-28	7M4328	11-28	801-002C	6-6
202-330H	6-14	2A0024	9-12	7M6318	9-6	801-002C	7-10
202-331H	6-14	2A0024	9-14	7M6328	9-14	801-002C	7-14
202-001H	6-12	2A0024	9-6	7M7328	9-12	801-002C	7-22
202-002H	6-12	2A0079-616	11-26	800-001C	11-2	801-003C	4-2
202-003H	6-12	2A0126	9-10	800-001C	2-10	801-003C	4-8
202-004H	6-12	2A0132	11-24	800-001C	2-12	801-003C	5-18
202-005H	6-12	2A0132	11-28	800-001C	5-2	801-010C	5-14
202-006H	7-8	2A0132	9-10	800-001C	5-4	801-010C	5-16
202-009H	6-12	2A0132	9-12	800-001C	6-10	801-010C	5-8
202-010H	4-16	2A0132	9-14	800-001C	6-4	801-017C	4-8
202-011H	4-16	2A0132	9-6	800-003C	5-2	801-018C	4-14
202-012H	4-16	2A0208	11-24	800-003C	5-4	801-018C	8-16
202-013H	4-16	2A0208	11-28	800-004C	5-2	801-018C	8-20
202-014H	4-16	2A0208	9-10	800-004C	5-4	801-018C	8-28
202-015H	4-16	2A0208	9-12	800-004C	6-10	801-018C	8-34
202-016H	4-16	2A0208	9-14	800-005C	5-2	801-018C	8-38
202-017H	4-16	2A0208	9-14	800-005C	5-4	801-018C	8-4
202-018H	4-16	2A0208	9-6	800-005C	6-10	801-018C	8-8
202-019H	4-16	2A0209	9-12	800-008C	7-22	801-019C	6-8
202-020H	4-16	2A0235-6	11-26	800-009C	7-10	801-023C	5-18
202-021H	4-16	2A0246-12	11-26	800-009C	7-18	801-027C	5-12
202-026D	6-12	2A0308-1	11-26	800-012C	5-14	801-028C	4-12
202-031D	4-16	2A0353-12	11-36	800-012C	5-16	801-028C	4-4
202-032D	4-16	2A0578-2475	11-26	800-014C	2-12	801-035C	5-12
202-034D	6-12	2A9018-3	11-36	800-015C	2-8	801-035C	6-4
202-035D	6-12	2A9024-1	11-36	800-016C	6-10	801-052C	2-8
202-072D	7-8	2H-200GP	2-6	800-016C	7-10	801-057C	5-2
202-073D	7-8	2H-30080	2-6	800-016C	7-22	801-057C	5-4
202-074D	7-8	2H-30081	2-6	800-027C	4-8	801-067C	5-8
202-092S	6-12	2H-300GP	2-6	800-028C	5-12	801-115C	8-14
202-103D	4-16	2M3216	9-10	800-029C	7-14	801-115C	8-26
202-119H	6-12	2M3326	11-24	800-029C	7-18	801-115C	8-32
202-120H	6-12	2M4428	11-28	800-029C	7-20	801-115C	8-36
202-121H	6-12	2M6470	9-6	800-032C	5-14	801-002C	7-2
202-121H	6-12	2M6880	9-14	800-032C	5-16	801-002C	7-4
202-121H	6-12	2M7580	9-12	800-042C	2-8	801-002C	7-8
202-122H	6-12	3-V4153-022	11-36	800-044C	6-8	801-007C	8-10
202-123H	6-12	309-1882-P00	6-6	800-046C	2-8	801-007C	8-16
202-124H	6-12	309-1883-P00	6-6	800-060C	7-14	801-007C	8-18
202-125H	6-12	325-0014-001	6-6	800-067C	5-18	801-007C	8-22
202-260H	6-12	3R0210	9-10	800-082C	6-6	801-007C	8-42
202-261H	6-12	3R0310	11-24	800-112C	5-8	801-007C	8-6
202-263H	7-6	3R1408	11-28	800-212C	11-10	801-007C	8-8
202-263H	7-8	3R5712	9-6	800-001C	11-4	801-018C	8-10
202-265H	7-6	3R5812	9-14	800-001C	6-12	801-018C	8-18



**Part Number Index**

<b>Part Number</b>	<b>Page</b>	<b>Part Number</b>	<b>Page</b>	<b>Part Number</b>	<b>Page</b>	<b>Part Number</b>	<b>Page</b>
801-018C	8-22	802-059C	8-16	802-228C	7-10	802-079C	11-4
801-018C	8-6	802-059C	8-20	802-233C	8-40	802-079C	4-4
801-028C	4-16	802-059C	8-30	802-233C	8-44	802-079C	7-6
801-036C	6-12	802-059C	8-40	802-234C	8-40	802-079C	7-8
801-052C	2-6	802-060C	8-32	802-234C	8-44	802-091C	6-6
801-054C	11-4	802-060C	8-34	802-254C	11-2	802-092C	7-6
801-069C	7-12	802-062C	6-2	802-261C	11-2	802-092C	7-8
801-084C	7-12	802-067C	2-2	802-266C	11-2	802-113C	11-4
801-141C	7-12	802-074C	2-10	802-317C	2-2	802-114C	2-4
801-151C	4-4	802-078C	4-8	802-355C	12-2	802-115C	11-2
802-001C	5-14	802-078C	5-12	802-371C	8-16	802-121C	7-2
802-001C	5-16	802-079C	4-12	802-371C	8-28	802-121C	7-4
802-004C	4-14	802-079C	4-4	802-371C	8-34	802-121C	7-6
802-004C	5-18	802-079C	4-6	802-371C	8-38	802-121C	7-8
802-004C	5-2	802-079C	6-10	802-371C	8-8	802-143C	6-12
802-004C	5-4	802-079C	6-14	802-421C	8-12	802-147C	11-20
802-004C	5-6	802-079C	7-10	802-421C	8-14	802-147C	11-22
802-004C	6-6	802-082C	6-2	802-421C	8-2	802-152C	11-4
802-004C	7-10	802-089C	5-14	802-421C	8-24	802-167C	4-16
802-005C	8-2	802-089C	5-16	802-421C	8-26	802-167C	6-12
802-005C	8-4	802-091C	12-2	802-421C	8-30	802-174C	7-4
802-005C	8-8	802-091C	6-2	802-421C	8-32	802-174C	8-10
802-007C	4-12	802-091C	6-4	802-421C	8-36	802-174C	8-18
802-007C	4-4	802-092C	11-10	802-617C	8-12	802-174C	8-22
802-007C	6-8	802-092C	5-12	802-617C	8-16	802-174C	8-6
802-012C	4-6	802-095C	2-10	802-617C	8-20	802-223C	7-6
802-012C	6-14	802-096C	2-10	802-617C	8-24	802-223C	7-8
802-012C	6-4	802-096C	2-2	802-617C	8-40	802-228C	7-2
802-012C	6-8	802-098C	2-10	802-618C	8-28	802-228C	7-4
802-012C	8-20	802-099C	3-2	802-004C	5-10	802-228C	7-6
802-013C	5-14	802-100C	8-36	802-004C	7-2	802-228C	7-8
802-013C	5-16	802-100C	8-38	802-004C	7-4	802-233C	8-42
802-013C	8-14	802-104C	3-2	802-004C	7-6	802-234C	8-42
802-013C	8-16	802-115C	6-6	802-004C	7-8	802-240C	11-8
802-013C	8-20	802-119C	8-36	802-005C	4-2	802-247C	11-4
802-013C	8-40	802-119C	8-38	802-005C	7-16	802-427C	7-2
802-014C	5-2	802-119C	8-44	802-007C	4-16	802-617C	8-14
802-014C	5-4	802-121C	7-10	802-007C	6-12	803-001C	4-2
802-015C	7-10	802-130C	4-6	802-007C	6-12	803-001C	4-8
802-017C	4-10	802-135C	6-2	802-007C	8-10	803-001C	5-18
802-019C	6-2	802-143C	2-10	802-007C	8-18	803-001C	6-6
802-022C	11-2	802-151C	8-26	802-007C	8-22	803-002C	5-14
802-022C	8-20	802-151C	8-28	802-007C	8-6	803-002C	5-16
802-026C	7-10	802-151C	8-44	802-010C	6-12	803-003C	5-14
802-029C	7-10	802-155C	8-46	802-012C	8-22	803-003C	5-16
802-032C	5-2	802-159C	4-10	802-014C	8-42	803-004C	5-14
802-032C	5-4	802-162C	8-28	802-015C	7-2	803-004C	5-16
802-032C	6-10	802-163C	6-6	802-015C	7-4	803-006C	4-12
802-034C	4-2	802-166C	2-2	802-015C	7-6	803-006C	4-14
802-034C	6-8	802-167C	4-12	802-015C	7-8	803-006C	4-4
802-034C	7-20	802-167C	4-4	802-015C	8-18	803-006C	4-8
802-038C	12-2	802-168C	11-2	802-015C	8-22	803-006C	5-12
802-039C	6-2	802-169C	2-2	802-015C	8-6	803-006C	5-18
802-039C	7-20	802-174C	8-16	802-017C	11-18	803-006C	7-10
802-046C	2-2	802-174C	8-20	802-017C	11-20	803-006C	8-16
802-046C	6-8	802-174C	8-28	802-017C	11-22	803-006C	8-20
802-051C	8-2	802-174C	8-34	802-017C	7-12	803-006C	8-28
802-051C	8-4	802-174C	8-38	802-022C	8-22	803-006C	8-34
802-051C	8-8	802-174C	8-4	802-023C	6-12	803-006C	8-38
802-055C	6-10	802-174C	8-8	802-024C	11-18	803-006C	8-4
802-055C	6-2	802-196C	5-2	802-026C	7-8	803-006C	8-8
802-055C	6-4	802-196C	5-4	802-029C	7-2	803-007C	4-12
802-057C	6-2	802-197C	8-26	802-029C	7-4	803-007C	4-4
802-058C	8-12	802-197C	8-28	802-032C	4-16	803-007C	4-8
802-058C	8-16	802-197C	8-30	802-032C	6-12	803-007C	8-2
802-058C	8-20	802-197C	8-32	802-032C	6-12	803-007C	8-4
802-058C	8-24	802-197C	8-34	802-058C	8-14	803-007C	8-40
802-058C	8-40	802-201C	11-2	802-058C	8-2	803-007C	8-40
802-059C	11-2	802-226C	6-2	802-058C	8-4	803-007C	8-44
802-059C	8-14	802-226C	6-8	802-059C	11-4	803-007C	8-8
				802-062C	11-4	803-008C	11-10

**Part Number Index**

<b>Part Number</b>	<b>Page</b>	<b>Part Number</b>	<b>Page</b>	<b>Part Number</b>	<b>Page</b>	<b>Part Number</b>	<b>Page</b>
803-008C	4-10	803-029C	3-2	803-006C	5-10	803-078C	8-10
803-008C	4-12	803-031C	2-10	803-006C	6-12	803-078C	8-18
803-008C	4-4	803-031C	2-2	803-006C	7-16	803-078C	8-22
803-008C	4-6	803-032C	2-10	803-006C	7-2	803-078C	8-6
803-008C	5-14	803-032C	2-12	803-006C	7-4	803-088C	8-14
803-008C	5-16	803-032C	2-2	803-006C	7-6	803-088C	8-2
803-008C	6-14	803-032C	6-2	803-006C	7-8	803-088C	8-4
803-008C	6-4	803-034C	2-12	803-006C	8-10	803-159C	11-6
803-008C	6-6	803-034C	2-2	803-006C	8-16	803-169C	7-2
803-008C	6-8	803-035C	4-12	803-006C	8-18	803-178C	7-4
803-008C	6-8	803-035C	5-12	803-006C	8-22	803-178C	7-6
803-008C	7-10	803-035C	5-2	803-006C	8-6	803-178C	7-8
803-008C	8-40	803-035C	5-4	803-006C	8-8	803-185C	11-8
803-008C	8-44	803-036C	11-2	803-007C	4-16	803-209C	7-2
803-011C	4-12	803-036C	6-8	803-007C	6-12	803-293C	4-2
803-011C	4-4	803-045C	2-10	803-007C	8-42	804-001C	5-2
803-011C	8-20	803-046C	2-12	803-008C	4-16	804-001C	5-4
803-013C	11-2	803-048C	2-2	803-008C	6-12	804-002C	4-12
803-013C	2-10	803-056C	2-10	803-008C	7-2	804-002C	5-12
803-014C	4-12	803-058C	5-12	803-008C	7-4	804-002C	5-2
803-014C	4-4	803-064C	5-8	803-008C	7-6	804-002C	5-4
803-014C	4-6	803-065C	4-8	803-008C	7-8	804-003C	4-12
803-014C	6-10	803-069C	8-16	803-008C	8-42	804-003C	5-12
803-014C	6-14	803-069C	8-20	803-011C	11-2	804-003C	5-2
803-014C	6-16	803-069C	8-28	803-011C	11-4	804-003C	5-4
803-014C	6-2	803-069C	8-34	803-011C	4-16	804-004C	4-2
803-014C	7-10	803-069C	8-38	803-011C	8-10	804-004C	4-8
803-014C	8-46	803-069C	8-4	803-011C	8-18	804-004C	5-18
803-015C	12-2	803-069C	8-8	803-011C	8-22	804-006C	4-12
803-016C	5-14	803-078C	7-10	803-011C	8-22	804-006C	4-14
803-016C	5-16	803-078C	8-16	803-011C	8-6	804-006C	4-4
803-016C	5-2	803-078C	8-20	803-012C	8-10	804-006C	5-12
803-016C	5-4	803-078C	8-28	803-012C	8-18	804-006C	6-6
803-017C	6-2	803-078C	8-34	803-012C	8-22	804-006C	6-6
803-019C	11-2	803-078C	8-38	803-012C	8-42	804-006C	7-10
803-019C	2-2	803-078C	8-4	803-012C	8-6	804-006C	8-16
803-019C	3-2	803-078C	8-8	803-013C	2-4	804-006C	8-28
803-019C	4-6	803-088C	5-2	803-014C	11-18	804-006C	8-34
803-019C	5-14	803-088C	5-4	803-014C	11-20	804-006C	8-38
803-019C	5-16	803-088C	5-6	803-014C	11-22	804-006C	8-4
803-020C	11-2	803-088C	8-12	803-014C	11-4	804-006C	8-8
803-020C	11-2	803-088C	8-16	803-014C	11-4	804-006C	8-8
803-020C	12-2	803-088C	8-20	803-014C	4-16	804-007C	4-14
803-020C	4-2	803-088C	8-24	803-014C	4-2	804-009C	11-10
803-020C	4-4	803-088C	8-28	803-014C	4-4	804-009C	4-10
803-020C	4-6	803-088C	8-40	803-014C	6-12	804-009C	4-12
803-020C	5-2	803-148C	11-2	803-014C	7-2	804-009C	4-4
803-020C	5-4	803-148C	6-2	803-014C	7-4	804-009C	4-6
803-020C	6-2	803-148C	8-12	803-014C	7-6	804-009C	5-14
803-020C	6-4	803-169C	8-14	803-014C	7-8	804-009C	5-16
803-020C	7-10	803-169C	8-2	803-014C	8-42	804-009C	6-14
803-020C	7-20	803-169C	8-24	803-015C	11-4	804-009C	6-4
803-020C	8-40	803-169C	8-26	803-018C	8-42	804-009C	6-6
803-020C	8-44	803-169C	8-30	803-020C	11-4	804-009C	6-8
803-021C	11-2	803-169C	8-32	803-020C	4-16	804-009C	6-8
803-021C	12-2	803-169C	8-36	803-020C	7-4	804-009C	7-10
803-021C	2-12	803-177C	8-14	803-020C	7-6	804-009C	8-40
803-021C	2-2	803-177C	8-16	803-020C	7-8	804-009C	8-44
803-021C	4-10	803-177C	8-20	803-021C	11-4	804-010C	4-10
803-021C	6-10	803-177C	8-26	803-024C	11-4	804-010C	4-6
803-021C	6-2	803-177C	8-28	803-036C	11-4	804-010C	6-8
803-021C	6-4	803-177C	8-30	803-036C	6-6	804-010C	6-8
803-021C	6-6	803-177C	8-32	803-044C	2-10	804-010C	6-8
803-023C	6-10	803-177C	8-34	803-053C	11-6	804-011C	11-2
803-023C	6-2	803-177C	8-36	803-069C	8-10	804-012C	4-10
803-024C	2-10	803-177C	8-38	803-069C	8-18	804-012C	5-12
803-027C	2-10	803-177C	8-40	803-069C	8-22	804-012C	5-2
803-027C	6-14	803-177C	8-44	803-069C	8-6	804-012C	5-4
803-027C	6-2	803-178C	7-10	803-078C	7-4	804-012C	7-10
803-029C	2-10	803-006C	4-16	803-078C	7-6	804-012C	8-16
				803-078C	7-8	804-012C	8-20
						804-012C	8-28

**Part Number Index**

<b>Part Number</b>	<b>Page</b>	<b>Part Number</b>	<b>Page</b>	<b>Part Number</b>	<b>Page</b>	<b>Part Number</b>	<b>Page</b>
804-012C	8-34	804-027C	2-10	804-013C	11-22	805-064C	8-16
804-012C	8-38	804-027C	2-2	804-013C	11-4	805-064C	8-20
804-012C	8-4	804-029C	11-2	804-013C	4-16	805-064C	8-28
804-012C	8-46	804-030C	2-12	804-013C	4-2	805-064C	8-34
804-012C	8-8	804-030C	2-2	804-013C	4-4	805-064C	8-38
804-013C	4-12	804-031C	5-2	804-013C	6-12	805-064C	8-4
804-013C	4-4	804-031C	5-4	804-013C	6-12	805-064C	8-8
804-013C	4-6	804-032C	5-14	804-013C	7-12	805-067C	5-12
804-013C	5-2	804-032C	5-16	804-013C	7-2	805-070C	5-2
804-013C	5-4	804-033C	5-14	804-013C	7-4	805-070C	5-4
804-013C	6-10	804-033C	5-16	804-013C	7-6	805-073C	8-16
804-013C	6-14	804-034C	5-14	804-013C	7-8	805-073C	8-20
804-013C	6-16	804-034C	5-16	804-013C	8-18	805-073C	8-28
804-013C	6-2	804-036C	6-6	804-013C	8-22	805-073C	8-34
804-013C	7-10	804-036C	7-10	804-013C	8-42	805-073C	8-38
804-013C	8-46	804-040C	7-10	804-013C	8-6	805-073C	8-4
804-014C	12-2	804-041C	8-40	804-014C	11-4	805-073C	8-8
804-014C	8-40	804-041C	8-44	804-014C	8-42	805-078C	6-8
804-014C	8-44	804-042C	5-12	804-015C	11-4	805-081C	2-2
804-015C	11-2	804-043C	5-8	804-015C	4-16	805-088C	2-2
804-015C	11-2	804-044C	5-12	804-015C	6-12	805-088C	6-14
804-015C	12-2	804-046C	4-8	804-015C	7-2	805-139C	8-40
804-015C	4-2	804-048C	5-14	804-015C	7-4	805-139C	8-44
804-015C	4-4	804-050C	4-8	804-015C	7-6	805-152C	11-2
804-015C	4-6	804-052C	5-18	804-015C	7-8	805-154C	8-12
804-015C	5-2	804-054C	6-6	804-015C	6-12	805-154C	8-14
804-015C	5-4	804-055C	2-10	804-017C	11-4	805-154C	8-2
804-015C	6-10	804-055C	3-2	804-021C	11-8	805-154C	8-24
804-015C	6-2	804-088C	5-8	804-021C	6-12	805-154C	8-26
804-015C	6-4	804-006C	11-4	804-021C	6-2	805-154C	8-30
804-015C	6-8	804-006C	4-16	804-022C	11-4	805-154C	8-32
804-015C	7-10	804-006C	5-10	804-025C	11-6	805-154C	8-36
804-015C	7-20	804-006C	6-12	804-036C	7-2	805-186C	8-12
804-016C	4-2	804-006C	7-16	804-036C	7-4	805-186C	8-14
804-016C	6-2	804-006C	7-2	804-036C	7-8	805-186C	8-2
804-016C	6-4	804-006C	7-4	804-040C	7-2	805-186C	8-24
804-016C	6-8	804-006C	7-6	804-040C	7-4	805-186C	8-26
804-017C	11-2	804-006C	7-8	804-040C	7-6	805-186C	8-30
804-019C	5-2	804-006C	8-10	804-040C	7-8	805-186C	8-32
804-019C	5-4	804-006C	8-18	804-041C	8-42	805-186C	8-36
804-021C	6-10	804-006C	8-22	804-075C	5-10	805-010C	8-22
804-022C	11-2	804-006C	8-6	804-078C	7-12	805-010C	8-42
804-022C	12-2	804-007C	7-16	805-004C	11-30	805-011C	8-22
804-022C	2-12	804-009C	4-16	805-004C	2-12	805-014C	4-16
804-022C	2-2	804-009C	6-12	805-004C	2-2	805-019C	11-6
804-022C	4-10	804-009C	7-2	805-010C	6-14	805-019C	11-8
804-022C	6-10	804-009C	7-4	805-010C	8-20	805-019C	4-16
804-022C	6-2	804-009C	7-6	805-010C	8-40	805-032C	2-12
804-022C	6-4	804-009C	7-8	805-010C	8-44	805-042C	11-4
804-022C	6-6	804-009C	8-42	805-011C	8-20	805-064C	6-12
804-022C	8-12	804-010C	6-12	805-014C	4-12	805-064C	8-10
804-022C	8-14	804-011C	11-18	805-014C	4-4	805-064C	8-18
804-022C	8-16	804-011C	11-20	805-016C	2-10	805-064C	8-22
804-022C	8-2	804-011C	11-22	805-016C	3-2	805-064C	8-6
804-022C	8-20	804-011C	11-4	805-016C	5-2	805-073C	8-18
804-022C	8-24	804-011C	6-12	805-016C	5-4	805-073C	8-22
804-022C	8-26	804-011C	7-10	805-019C	4-12	805-073C	8-6
804-022C	8-28	804-011C	7-12	805-019C	4-4	805-126C	6-12
804-022C	8-30	804-011C	7-6	805-019C	5-12	805-139C	8-42
804-022C	8-32	804-012C	7-12	805-019C	6-10	806-002C	4-2
804-022C	8-34	804-012C	7-2	805-023C	5-2	806-002C	5-2
804-022C	8-36	804-012C	7-4	805-023C	5-4	806-002C	5-4
804-022C	8-38	804-012C	7-6	805-029C	6-10	806-002C	6-2
804-022C	8-4	804-012C	7-8	805-029C	6-2	806-002C	6-4
804-022C	8-40	804-012C	8-10	805-029C	6-4	806-002C	6-8
804-022C	8-44	804-012C	8-18	805-031C	11-2	806-003C	12-2
804-022C	8-8	804-012C	8-22	805-033C	2-10	806-004C	7-10
804-023C	2-10	804-012C	8-6	805-033C	2-2	806-005C	11-2
804-023C	6-14	804-013C	11-18	805-058C	11-2	806-005C	4-4
804-023C	6-2	804-013C	11-20	805-062C	6-6	806-005C	4-6

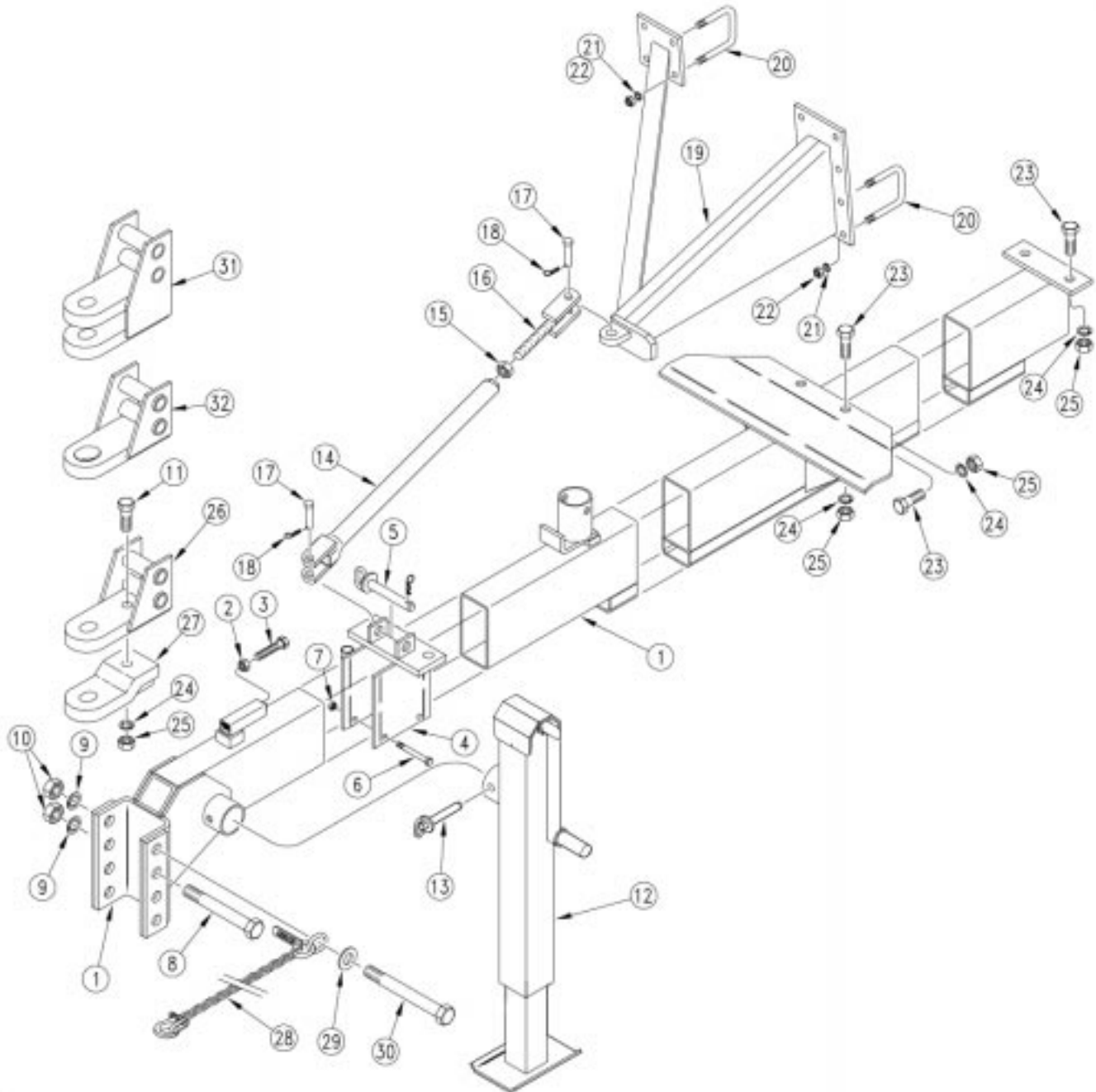
**Part Number Index**

<b>Part Number</b>	<b>Page</b>	<b>Part Number</b>	<b>Page</b>	<b>Part Number</b>	<b>Page</b>	<b>Part Number</b>	<b>Page</b>
806-005C	7-10	809-198C	7-12	811-044C	11-20	814-160C	8-28
806-005C	7-20	810-012C	11-30	811-045C	11-20	814-007C	8-18
806-006C	11-2	810-018C	9-4	811-050C	11-14	814-007C	8-22
806-006C	2-12	810-020C	9-2	811-050C	11-20	814-007C	8-42
806-006C	2-2	810-022C	9-4	811-056C	11-18	814-010C	8-36
806-006C	4-10	810-027C	9-8	811-056C	11-20	814-013C	8-18
806-010C	7-20	810-086C	9-2	811-056C	11-22	814-013C	8-22
806-021C	6-16	810-119C	11-26	811-057C	11-18	814-013C	8-42
806-021C	6-2	810-147C	9-2	811-057C	11-20	814-021C	8-36
806-025C	4-8	810-148C	9-2	811-057C	11-22	814-021C	8-44
806-042C	11-2	810-323C	9-10	811-058C	11-18	814-033C	8-10
806-002C	4-16	810-005C	11-14	811-058C	11-20	814-033C	8-6
806-004C	4-16	810-005C	11-16	811-058C	11-22	814-034C	8-10
806-004C	7-2	810-005C	11-20	811-066C	11-20	814-034C	8-2
806-004C	7-4	810-005C	11-22	811-066C	11-22	814-034C	8-4
806-004C	7-6	810-005C	11-4	811-073C	11-12	814-034C	8-6
806-004C	7-8	810-006C	11-20	811-073C	11-14	814-035C	8-10
806-005C	7-2	810-006C	11-22	811-073C	11-16	814-035C	8-6
806-005C	7-4	810-013C	9-6	811-133C	11-20	814-067C	8-32
806-005C	7-6	810-015C	11-28	811-133C	11-22	814-068C	8-26
806-005C	7-8	810-023C	11-20	811-146C	11-12	814-069C	8-14
806-006C	11-4	810-023C	11-22	811-146C	11-14	814-157C	8-14
806-010C	7-8	810-024C	11-14	811-146C	11-16	814-159C	8-14
806-045C	4-2	810-024C	11-20	811-146C	11-18	814-174C	8-2
807-001C	4-12	810-058C	11-12	811-154C	11-22	814-174C	8-4
807-001C	4-4	810-058C	11-16	811-155C	11-22	815-082C	3-2
807-018C	4-8	810-058C	11-22	811-156C	11-16	815-085C	3-2
807-028C	7-10	810-085C	11-18	811-157C	11-22	815-001C	11-6
807-029C	7-10	810-144C	9-12	811-213C	11-12	816-001C	4-12
807-043C	8-40	810-151C	9-14	811-214C	11-12	816-003C	7-10
807-043C	8-44	810-210C	11-24	811-281C	11-18	816-004C	4-12
807-066C	8-16	811-023C	9-2	811-293C	11-12	816-007C	7-22
807-066C	8-20	811-039C	9-2	811-293C	11-18	816-008C	4-12
807-066C	8-28	811-051C	9-2	811-295C	11-12	816-008C	4-4
807-066C	8-34	811-053C	9-2	811-295C	11-18	816-011C	3-2
807-066C	8-38	811-055C	9-2	811-715C	9-2	816-013C	4-2
807-066C	8-4	811-056C	9-4	812-012C	7-10	816-035C	3-2
807-066C	8-8	811-057C	9-4	812-054C	5-18	816-035C	6-2
807-106C	8-12	811-058C	9-4	812-012C	7-2	816-046C	7-10
807-106C	8-14	811-061C	9-4	812-012C	7-4	816-051C	5-18
807-106C	8-2	811-062C	9-4	812-012C	7-6	816-055C	6-10
807-106C	8-24	811-063C	9-2	812-012C	7-8	816-001C	4-16
807-106C	8-26	811-064C	9-4	814-005C	6-2	816-004C	4-16
807-106C	8-30	811-065C	9-4	814-008C	3-2	816-008C	4-16
807-106C	8-32	811-073C	9-2	814-009C	3-2	816-014C	11-6
807-106C	8-36	811-074C	9-2	814-010C	8-38	816-028C	7-6
807-001C	4-16	811-086C	9-2	814-010C	8-44	816-046C	7-4
807-028C	7-4	811-203C	9-2	814-021C	8-38	816-046C	7-8
807-028C	7-6	811-208C	9-2	814-023C	3-2	816-052C	7-6
807-028C	7-8	811-281C	9-2	814-026C	6-2	816-052C	7-8
807-029C	7-4	811-016C	11-20	814-031C	3-2	816-057C	7-8
807-029C	7-6	811-016C	11-22	814-034C	8-4	816-114C	7-2
807-029C	7-8	811-019C	11-14	814-034C	8-8	816-135C	11-8
807-043C	8-42	811-019C	11-20	814-067C	8-30	816-173C	7-12
807-066C	8-10	811-019C	11-4	814-067C	8-34	816-302C	7-2
807-066C	8-18	811-026C	11-16	814-068C	8-28	816-359C	2-10
807-066C	8-22	811-026C	11-22	814-069C	8-16	817-002C	5-2
807-066C	8-6	811-035C	11-12	814-069C	8-20	817-002C	5-4
807-101C	7-12	811-035C	11-14	814-069C	8-40	817-003C	5-2
807-118C	7-2	811-035C	11-16	814-157C	8-12	817-003C	5-4
808-002C	6-16	811-035C	11-18	814-157C	8-16	817-004C	5-2
808-002C	6-2	811-035C	11-20	814-157C	8-20	817-004C	5-4
808-003C	6-4	811-035C	11-22	814-157C	8-40	817-007C	4-2
808-004C	6-4	811-036C	11-12	814-158C	8-24	817-009C	5-12
808-006C	6-4	811-036C	11-14	814-158C	8-28	817-010C	5-12
808-007C	6-10	811-036C	11-16	814-159C	8-12	817-021C	8-16
808-008C	6-10	811-036C	11-18	814-159C	8-16	817-021C	8-20
808-027C	6-8	811-036C	11-20	814-159C	8-20	817-021C	8-28
808-116C	6-4	811-036C	11-22	814-159C	8-40	817-021C	8-34
808-122C	6-10	811-044C	11-14	814-160C	8-24	817-021C	8-38

**Part Number Index**

<b>Part Number</b>	<b>Page</b>	<b>Part Number</b>	<b>Page</b>	<b>Part Number</b>	<b>Page</b>	<b>Part Number</b>	<b>Page</b>
817-021C	8-4	817-042C	4-2	822-095C	8-40	890-199C	8-28
817-021C	8-8	817-060C	7-4	822-095C	8-44	890-321C	5-8
817-022C	8-36	817-060C	7-8	822-170C	8-12	890-002C	6-2
817-022C	8-38	817-063C	8-32	822-170C	8-16	890-015C	4-16
817-022C	8-44	817-065C	8-26	822-170C	8-20	890-179C	5-6
817-023C	8-38	817-067C	8-14	822-170C	8-24	890-213C	11-8
817-023C	8-44	817-084C	7-2	822-170C	8-28	890-311C	4-4
817-025C	6-8	817-091C	7-12	822-170C	8-40	890-312C	4-4
817-026C	5-12	817-133C	7-2	822-006C	6-12	890-313C	4-4
817-028C	7-10	817-134C	7-12	822-023C	8-10	890-430C	4-4
817-028C	8-40	817-296C	8-14	822-023C	8-18	990-024R	5-14
817-028C	8-44	817-314C	7-2	822-023C	8-22	990-024R	5-16
817-052C	7-18	817-330C	8-2	822-023C	8-42	A-1845	11-30
817-060C	7-10	817-330C	8-4	822-023C	8-6	A-1906	11-30
817-062C	8-30	817-398C	2-10	822-030C	11-6	A-2526	11-30
817-062C	8-32	817-438C	2-10	822-040C	6-12	B-988	11-30
817-062C	8-34	817-516C	4-2	822-041C	6-12	PCPIL-10-30-30	9-16
817-063C	8-30	818-019C	10-2	822-045C	11-8	VA-253307	5-8
817-063C	8-34	818-020C	10-2	822-050C	11-8	VA-JX-B76	5-8
817-065C	8-28	818-043C	10-2	822-057C	6-12	VA-JX-B77	5-8
817-067C	8-16	818-048C	10-2	822-071C	6-12	VA-VMM253501	5-8
817-067C	8-20	818-055C	10-2	822-080C	11-6		
817-067C	8-40	818-055C	4-14	822-095C	7-12		
817-071C	5-2	818-070C	10-2	822-095C	8-14		
817-071C	5-4	818-078C	10-2	822-170C	8-14		
817-073C	5-2	818-229C	10-2	822-170C	8-2		
817-073C	5-4	818-229C	4-6	822-170C	8-4		
817-081C	8-2	818-230C	10-2	823-021C	6-6		
817-081C	8-4	818-280C	10-2	823-022C	6-6		
817-081C	8-8	818-188C	10-2	823-023C	6-6		
817-084C	8-12	818-752C	10-2	823-059C	5-8		
817-084C	8-14	819-005C	4-12	823-060C	5-8		
817-084C	8-2	819-005C	5-12	823-076C	5-8		
817-084C	8-24	819-005C	5-2	823-034C	5-10		
817-084C	8-26	819-005C	5-4	823-035C	5-10		
817-084C	8-30	820-014C	12-2	823-036C	5-10		
817-084C	8-32	820-015C	12-2	823-037C	5-10		
817-084C	8-36	820-083C	11-10	823-044C	5-10		
817-095C	5-2	820-098C	11-8	823-046C	5-10		
817-095C	5-4	822-006C	5-2	823-047C	5-10		
817-096C	5-2	822-006C	5-4	823-048C	5-10		
817-096C	5-4	822-006C	6-10	825-002C	2-4		
817-097C	5-2	822-007C	6-14	838-102C	10-2		
817-097C	5-4	822-007C	6-4	838-158C	10-2		
817-132C	8-12	822-007C	6-6	838-265C	10-2		
817-132C	8-14	822-007C	6-8	838-266C	10-2		
817-132C	8-2	822-008C	5-2	838-482C	10-2		
817-132C	8-24	822-008C	5-4	838-482C	4-2		
817-132C	8-26	822-012C	5-14	890-005C	11-2		
817-132C	8-30	822-012C	5-16	890-012C	6-2		
817-132C	8-32	822-013C	2-10	890-015C	4-12		
817-132C	8-36	822-014C	2-10	890-015C	4-4		
817-296C	8-12	822-015C	2-10	890-018C	11-2		
817-296C	8-16	822-016C	2-10	890-026C	5-14		
817-296C	8-20	822-018C	3-2	890-026C	5-16		
817-296C	8-40	822-021C	3-2	890-032C	2-10		
817-297C	8-24	822-028C	6-2	890-050C	2-10		
817-297C	8-28	822-040C	6-8	890-051C	2-12		
817-021C	8-10	822-041C	6-8	890-063C	8-46		
817-021C	8-18	822-043C	6-2	890-105C	2-10		
817-021C	8-22	822-055C	2-8	890-121C	5-2		
817-021C	8-6	822-095C	8-14	890-121C	5-4		
817-023C	8-36	822-095C	8-16	890-142C	2-10		
817-025C	6-12	822-095C	8-20	890-153C	4-14		
817-028C	6-12	822-095C	8-26	890-183C	2-2		
817-028C	7-4	822-095C	8-28	890-198C	8-14		
817-028C	7-6	822-095C	8-30	890-198C	8-16		
817-028C	7-8	822-095C	8-32	890-198C	8-20		
817-028C	8-42	822-095C	8-36	890-198C	8-40		
817-031C	2-10	822-095C	8-38	890-199C	8-26		

**Tongue & Pull Bar**



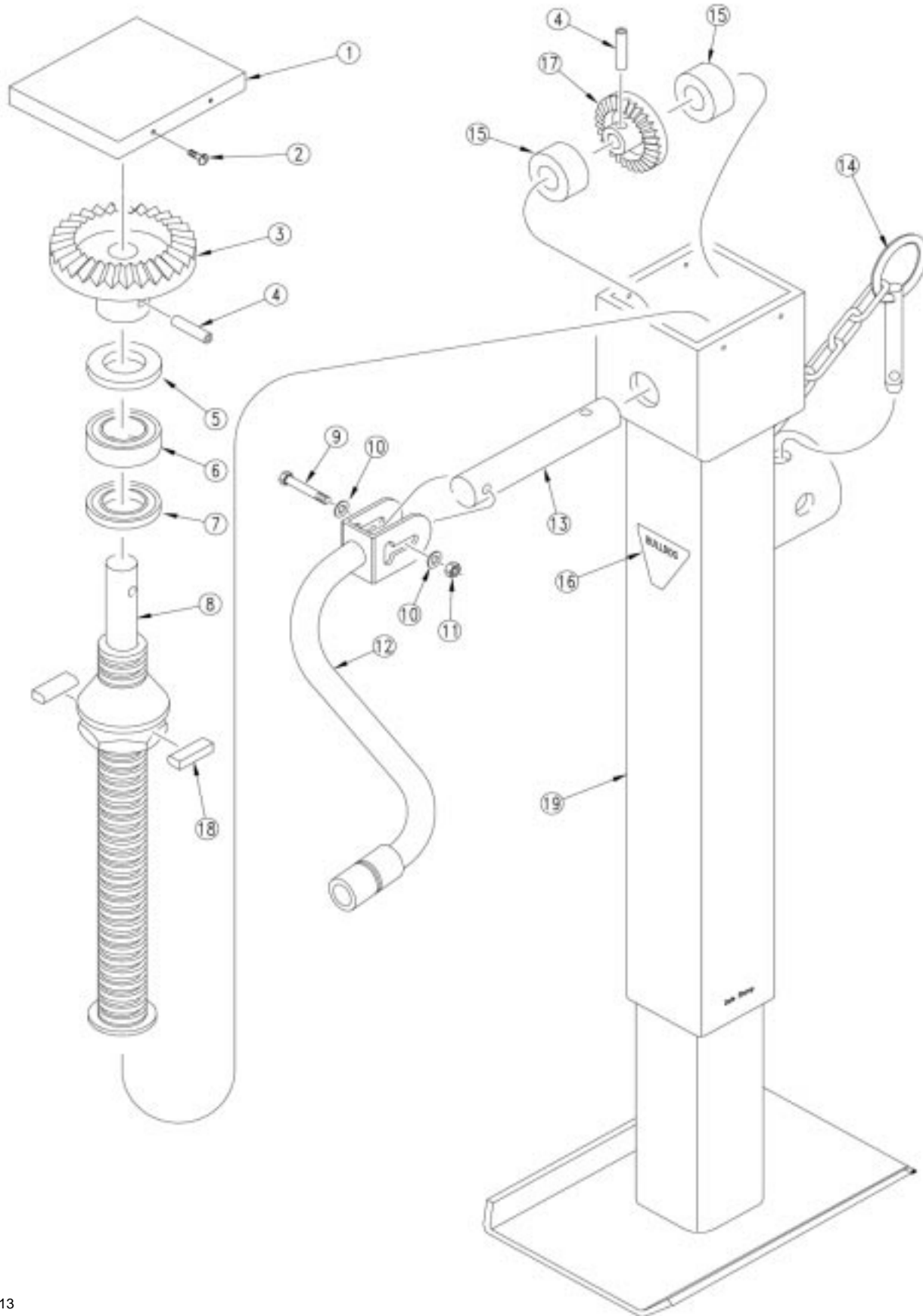
10243

**Tongue & Pull Bar**

Ref.	Part No.	Part Description	Comments
1.	154-002H 154-001H	30' TONGUE WELDMENT REP BY 154-002H	
2.	803-048C	NUT HEX JAM 3/4-10 PLT	
3.	802-067C	HHCS 3/4-10X4 GR5 FTTHD	
4.	157-001H	SLIDE WELDMENT	
5.	805-033C	PIN HITCH 1 X 6 W/HAIRPIN	
6.	802-046C	HHCS 1/2-13X5 1/2 GR5	
7.	803-019C	NUT LOCK 1/2-13 PLT	
8.	802-166C	HHCS 1 1/4-7X9 1/2 GR5 SPTH	
9.	804-030C	WASHER LOCK 1 1/4 SPRING PLT	
10.	803-034C	NUT HEX 1 1/4-7 PLT	
11.	802-169C	HHCS 1-8X3 1/2 GR5	
12.	<b>890-610C</b>	<b>SQ TB JACK 10000 LB 10 STROKE</b>	<b>(2SF24 S/N 3260F+; 2SF30 S/N 3069G+) Refer to page 2-5 for breakdown.</b>
	<b>116-065K</b>	<b>ROTATING SQUARE JACK 10 STROKE</b>	<b>Obsolete replaced by 890-610C (2SF24 S/N 3259F-; 2SF30 S/N3068G-) Refer to page 2-7 for breakdown.</b>
13.	805-081C	PIN HITCH 3/4 X 4 3/8	
14.	111-001H	PULL BAR ASSEMBLY	
15.	803-032C	NUT HEX JAM 1 1/4-7 PLT	
16.	111-002H	ADJ. CLEVIS ASSEMBLY	
17.	805-004C	PIN CLEVIS 1 X 2 3/4 USABLE LG	
18.	805-088C	PIN, HAIR COTTER 3/16 WIRE DIA	
19.	157-003H 157-002H	TRANSPORT STABILIZER FRAME RH TRANSPORT STABILIZER FRAME LH	
20.	806-006C	U-BOLT 5/8-11 X 3 17/32 X 5	
21.	804-022C	WASHER LOCK SPRING 5/8 PLT	
22.	803-021C	NUT HEX 5/8-11 PLT	
23.	802-096C	HHCS 1-8X2 1/2 GR5	
24.	804-027C	WASHER LOCK SPRING 1 PLT	
25.	803-031C	NUT HEX 1-8 PLT	
26.	170-034H	SINGLE HITCH STRAP-SMALL	
27.	170-040H	LOWER HITCH	
28.	890-183C	SAFETY CHAIN 20000 LB	
29.	194-070D	SAFETY CHAIN WASHER	
30.	802-317C	HHCS 1 1/4-7X11 GR5 SPTH	
31.	170-058H	FOLDING DRILL CLEVIS HITCH	
32.	170-033H	SINGLE HITCH STRAP-LARGE	
	170-038A	LARGE DIAMETER HITCH PACKAGE	
	170-059A	SMALL DIA STRAP HITCH PKG	
	170-039A	SMALL DIAMETER CLEVIS HITCH PK	

**Legend:** ● = 1st revision; ● = 2nd revision; ● = 3rd revision; ● = use up existing stock; ⊗ = not interchangeable; ⊗ ① ● = for example: revision 2 is not interchangeable w/revision 1

Rotating Square Hammerblow Jack (890-610C)



20213

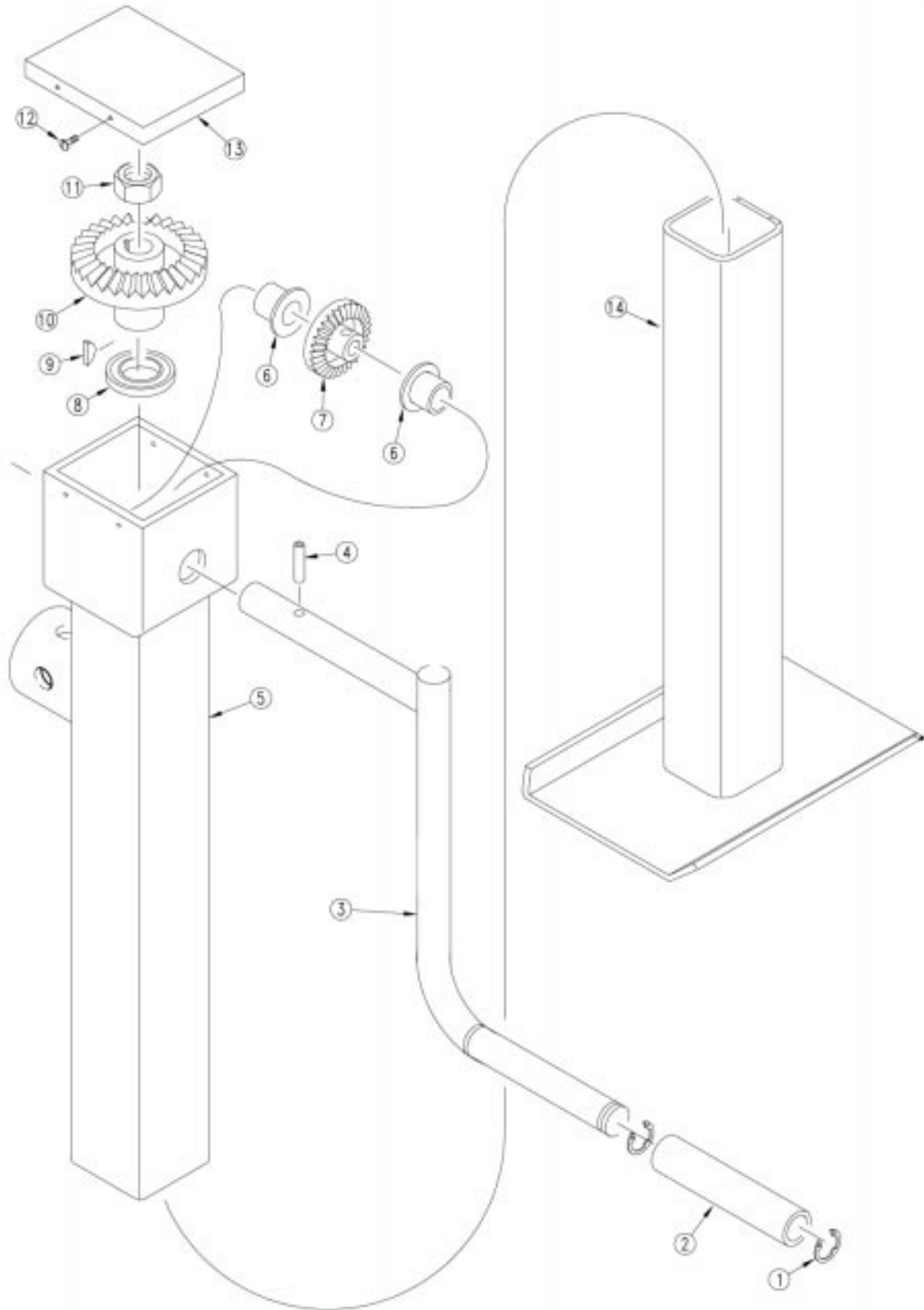


**Rotating Square Hammerblow Jack (890-610C)**

Ref.	Part No.	Part Description	Comments
1.	017802	HB VIKING COVER	
2.	017806	HB COVER SCREW	
3.	020023	HB BEVEL GEAR	
4.	009062	HB GROOVE PIN .25 X 1.5	
5.	016053	HB WEAR PLATE	
6.	001015	HB THRUST BEARING	
7.	016048	HB BEARING SEAT	
8.	712205	HB SCREW & NUT ASSY	
9.	802-114C	HHCS 3/8-16X2 1/2 GR5	
10.	825-002C	WASHER FLAT 3/8	
11.	803-013C	NUT LOCK 3/8-16 PLT	
12.	701140	HB CRANK, NARROW CLEVIS	
13.	640069X	HB SWQ 180 FL-B-TSX W/O LABEL	
14.	006125	HB CROSS SHAFT	
15.	701029X	HB PIN & CHAIN ASSY	
16.	017012	HB BEARING SLEEVE	
17.	015796	HB BULLDOG 12000LB LABEL	
18.	020022	HB BEVEL GEAR PINION	
19.	009052	HB RETAINING PIN	

**Legend:** ● = 1st revision; ● = 2nd revision; ● = 3rd revision; ● = use up existing stock; ⊗ = not interchangeable; ⊗ ① ● = for example: revision 2 is not interchangeable w/revision 1

**Square Tube Butler Jack (890-610C)**



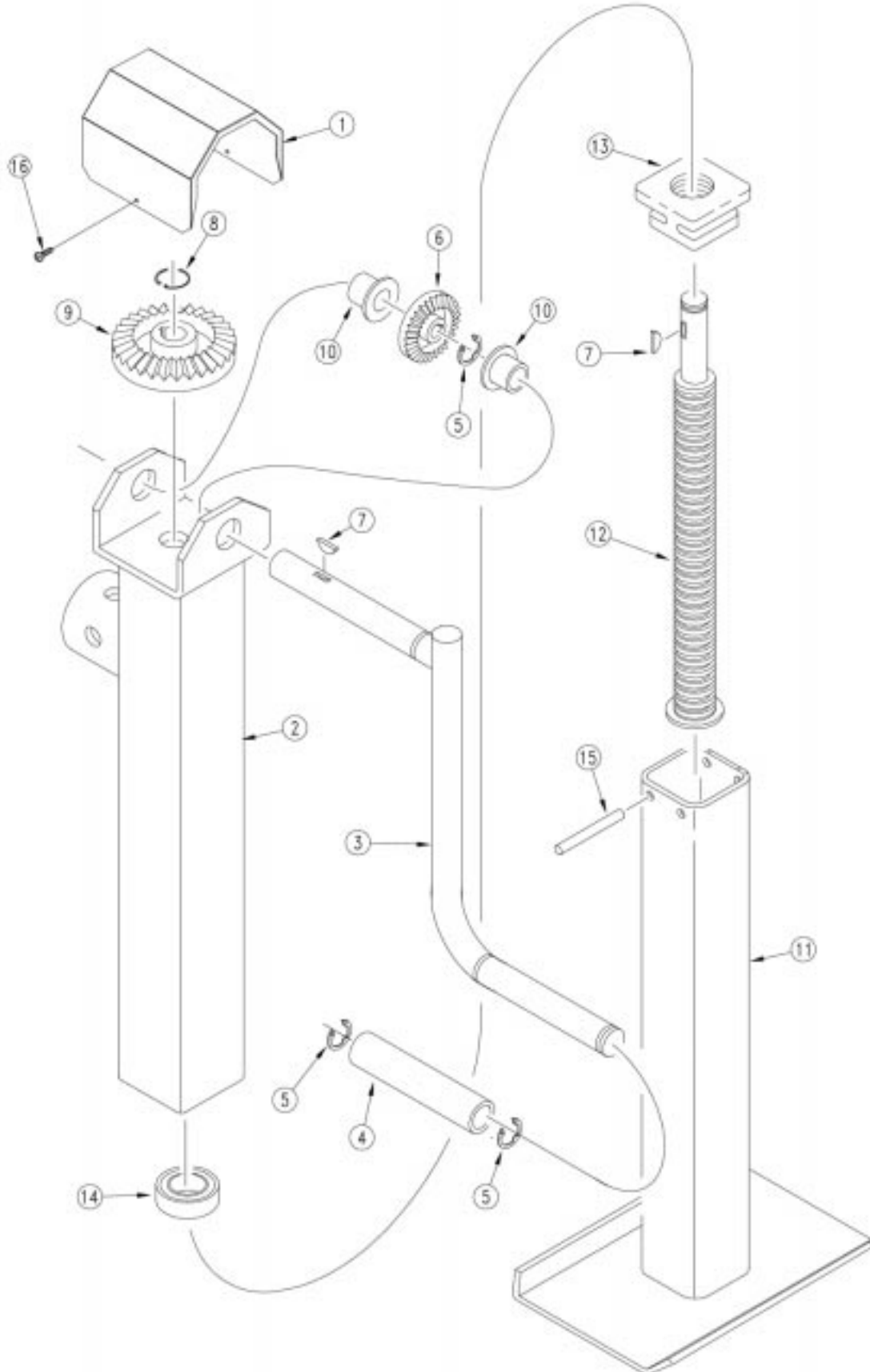
13324

**Square Tube Butler Jack (890-610C)**

Ref.	Part No.	Part Description	Comments
1.	10-80054	BUTLER GRIP CLIP	
2.	2H-30081	BUTLER PVC GRIP	
3.	2H-30080	BUTLER CRANK ASSEMBLY	
4.	10-80147	BUTLER GROOVE PIN	
5.	2H-200GP	BUTLER GEAR BOX	
6.	10-70020	BUTLER BUSHING	
7.	10-50058	BUTLER PINION GEAR	
8.	10-80012	BUTLER THRUST BEARING	
9.	800-046C	WOODRUFF KEY #606	
10.	10-50057	BUTLER BEVEL GEAR	
11.	10-80028	NUT HEX 7/8-14 LOCK	
12.	801-052C	SCR P.H. 8X3/8 TYPEB THD FORM	
13.	20-20028	BUTLER COVER	
14.	2H-300GP	BUTLER INNER LEG ASSEMBLY	

**Legend:** ① = 1st revision; ② = 2nd revision; ③ = 3rd revision; ● = use up existing stock; ⊗ = not interchangeable; ⊗ ① ② = for example: revision 2 is not interchangeable w/revision 1

Rotating Square Jack (116-065K)



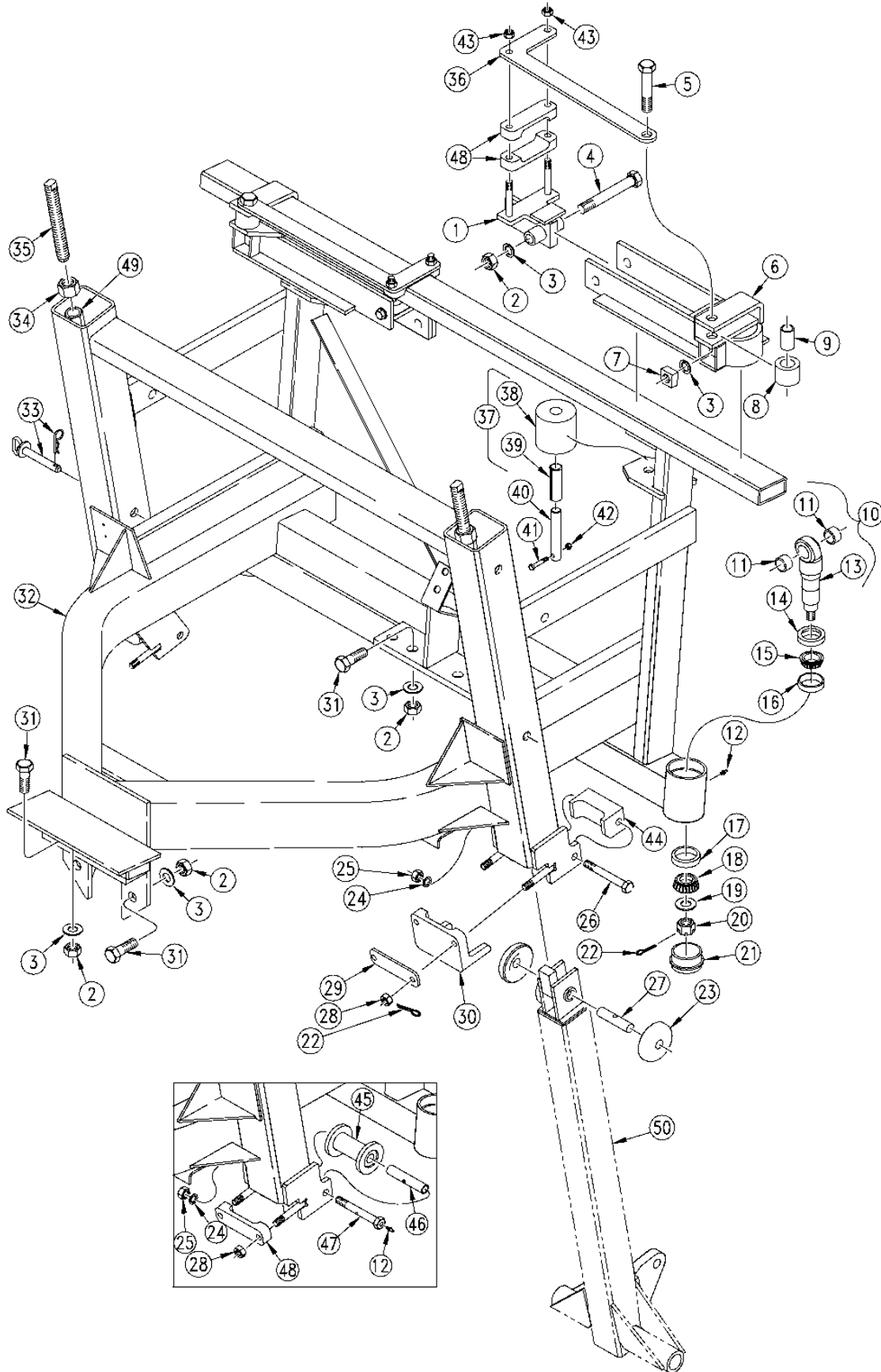
10510

**Rotating Square Jack (116-065K)**

Ref.	Part No.	Part Description	Comments
1.	116-069D	JACK LID	
2.	116-061H	ROTATING JACK HOUSING	
3.	116-042H	ROTATING JACK CRANK HANDLE	
4.	116-068D	JACK CRANK HAND GRIP	
5.	800-042C	EXTERNAL E RING 3/4 I.D.	
6.	116-064D	BEVEL GEAR 30T 7 PITCH 63.4 PA	
7.	800-046C	WOODRUFF KEY #606	
8.	800-015C	SNAP RING EXT .750 .078 T	
9.	116-065D	BEVEL GEAR 15T 7 PITCH 26.6 PA	
10.	116-066D	JACK CRANK BUSHING	
11.	116-037H	JACK LEG WITH FOOT	
12.	116-038H	JACK SCREW WITH STOP	
13.	116-055D	JACK NUT	
14.	822-055C	BANDED THRUST BRG 3/4 I.D.	
15.	116-062D	JACK NUT PIN	
16.	801-052C	SCR P.H. 8X3/8 TYPEB THD FORM	

**Legend:** ● = 1st revision; ● = 2nd revision; ● = 3rd revision; ● = use up existing stock; ⊗ = not interchangeable; ⊗ ① ● = for example: revision 2 is not interchangeable w/revision 1

Mainframe & Slide Assembly



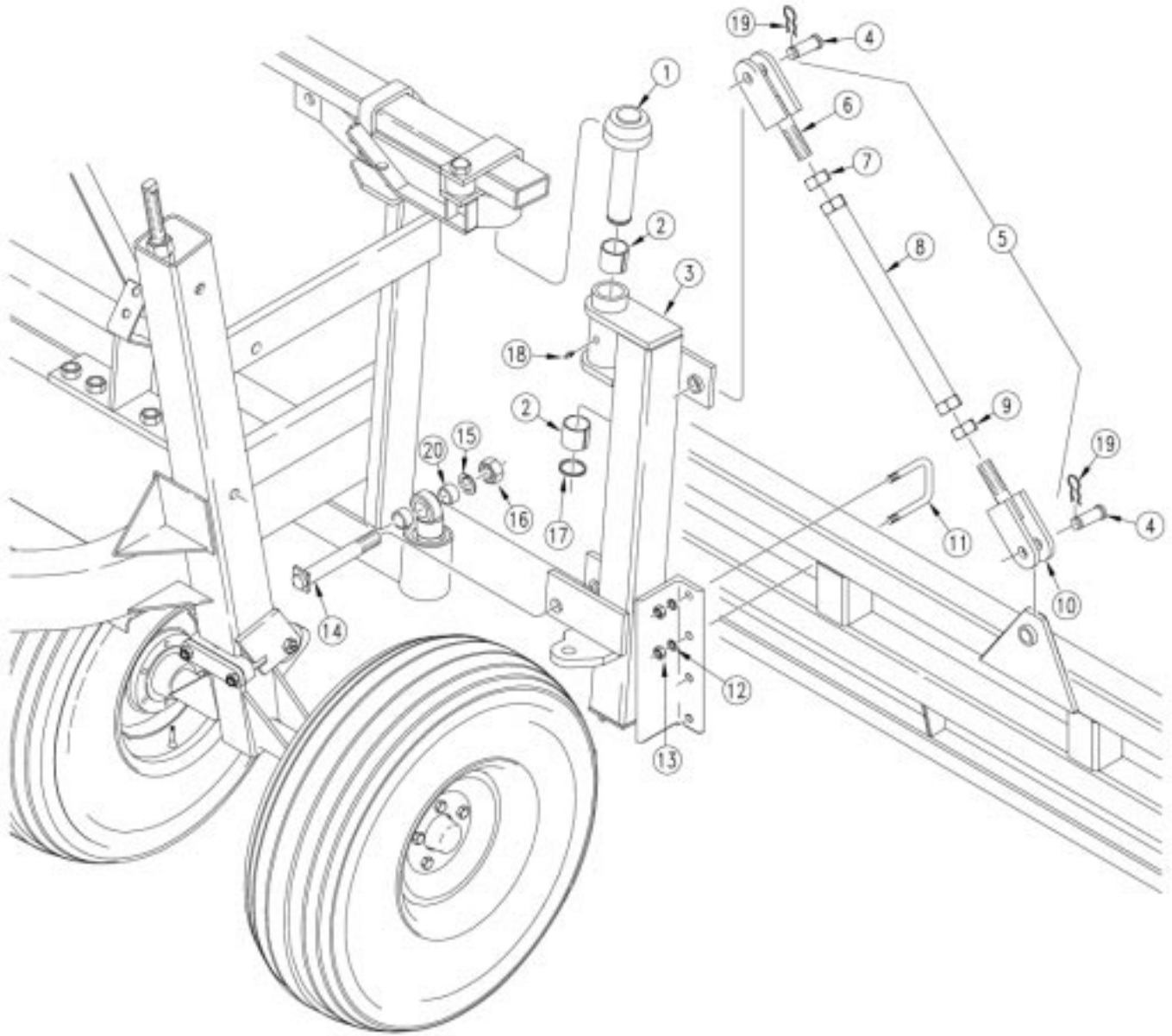
11281

## Mainframe &amp; Slide Assembly

Ref.	Part No.	Part Description	Comments
1.	156-017H	SLIDE CYLINDER MOUNT	
2.	803-031C	NUT HEX 1-8 PLT	
3.	804-027C	WASHER LOCK SPRING 1 PLT	
4.	802-074C	HHCS 1-8X6 1/2 GR5	
5.	802-098C	HHCS 1-8X4 1/2 GR5	
6.	156-019H	LH SLIDE FRAME	Shown
	156-018H	RH SLIDE FRAME	
7.	803-045C	NUT SQ 1-8 PLT	
8.	156-047D	FRONT SLIDE ROLLER	
9.	156-048D	FRONT ROLLER SPACER	
10.	156-029K	POST SPINDLE ASSEMBLY '99	Includes items 11, 12 & 13
11.	156-057D	PIVOT SPACER	
12.	800-001C	GREASE ZERK STRAIGHT 1/4-28	
13.	156-032H	2SF PIVOT SHAFT WELDMENT	
14.	816-359C	SEAL 3.375X2.250X.438 CR 2253	
15.	822-014C	BEARING CONE 25590	
16.	822-013C	BEARING CUP 25520	
17.	822-015C	BEARING CUP 25821	
18.	822-016C	BEARING CONE 25877	
19.	804-055C	WASHER SPINDLE - 7/8	
20.	803-029C	NUT HEX SLOTTED 7/8-14 PLT	
21.	890-032C	HUB CAP	
22.	805-016C	PIN COTTER 3/16 X 1 1/4 PLT	
23.	155-164D	UPPER ROLLER MACHINED	
24.	804-023C	WASHER LOCK SPRING 3/4 PLT	
25.	803-027C	NUT HEX 3/4-10 PLT	
26.	802-095C	HHCS 3/4-10X7 GR5	
27.	155-054D	UPPER ROLLER SHAFT	
28.	803-056C	NUT HEX SLOTTED 5/8-11 PLT GR5	
29.	148-254D	FRONT SLIDE BLOCK BACK PLATE	
30.	817-438C	FRONT SLIDE BLOCK	
31.	802-096C	HHCS 1-8X2 1/2 GR5	
32.	155-002H	FRAME WELDMENT	
33.	805-033C	PIN HITCH 1 X 6 W/HAIRPIN	
34.	803-032C	NUT HEX JAM 1 1/4-7 PLT	
35.	890-050C	DEPTH ADJ STUD	
	890-105C	HILLSIDE DEPTH ADJUSTMENT STUD	
36.	156-049D	SLIDE BLOCK TIE BAR	
37.	156-016V	SLIDE ROLLER ASSEMBLY	Includes items 42 & 43
38.	156-045D	SLIDE ROLLER	
39.	890-142C	SLIDE ROLLER PIVOT BUSHING	
40.	156-046D	ROLLER SHAFT	
41.	802-143C	HHCS 3/8-16X2 GR5	
42.	803-013C	NUT LOCK 3/8-16 PLT	
43.	803-024C	NUT LOCK 5/8-11 PLT	
44.	817-398C	15 FT CPH SLIDE BLOCK	
45.	155-004H	LOWER ROLLER WELDMENT	1991-1993
46.	155-027D	LOWER ROLLER BUSHING	1991-1993
47.	155-026D	LOWER ROLLER BOLT	1991-1993
48.	817-031C	FRONT SIDE BLOCK	
49.	803-044C	NUT HEX CPLR 1 1/4-7X3-3 1/4	
50.	155-006H	INNER AXLE SLIDE TUBE WELDMENT	

Legend: ● = 1st revision; ● = 2nd revision; ● = 3rd revision; ● = use up existing stock; ⊗ = not interchangeable; ⊗ ⊕ ● = for example: revision 2 is not interchangeable w/revision 1

*Pivot Post*



11290

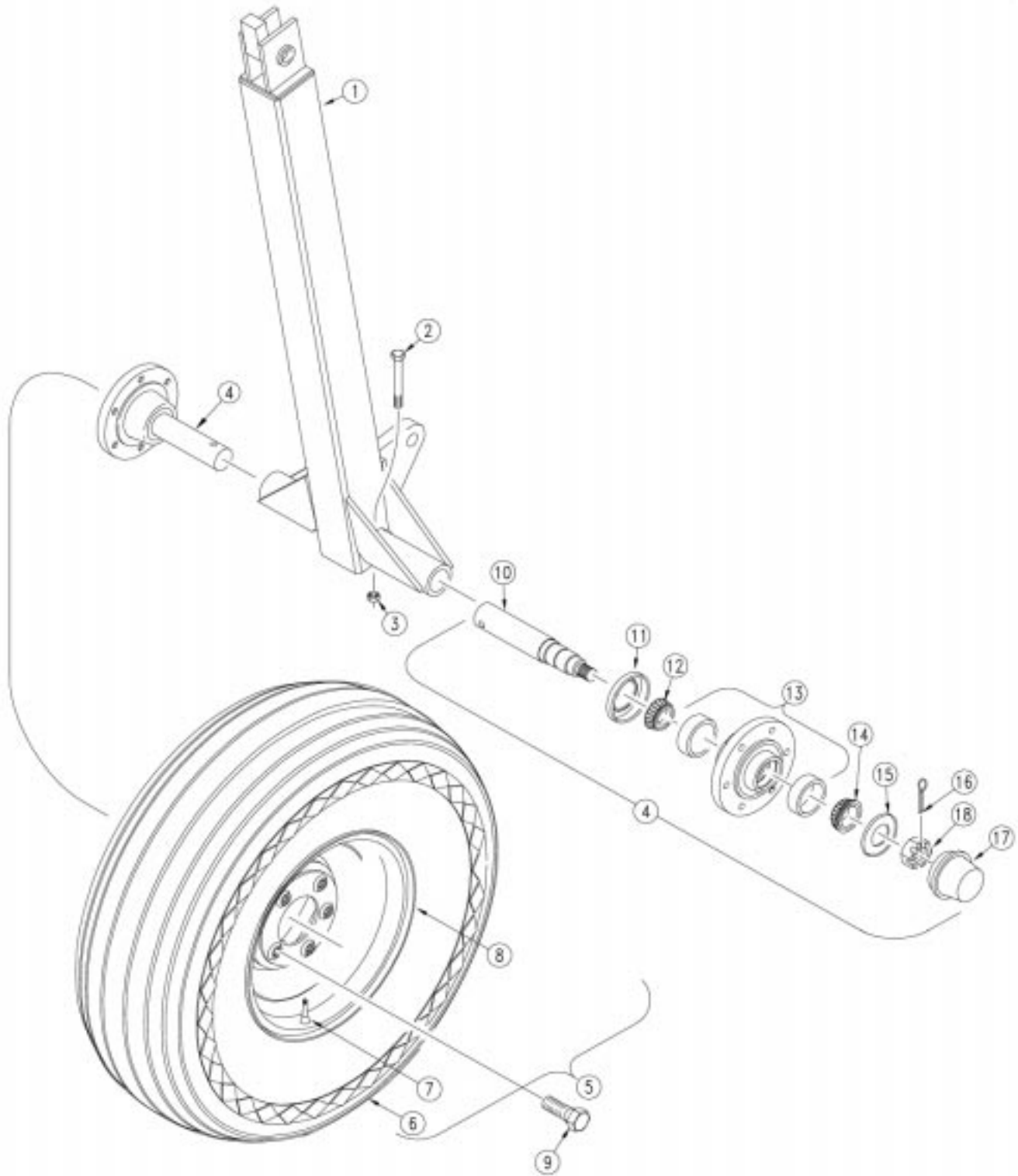


**Pivot Post**

Ref.	Part No.	Part Description	Comments
1.	156-010H	ROLLER SHAFT WELDMENT	
2.	890-051C	BUSHING 2 1/4 OD X 2 ID X 2 LG	
3.	156-006H	POST WELDMENT LH	
	156-005H	POST WELDMENT RH	
4.	805-004C	PIN CLEVIS 1 X 2 3/4 USABLE LG	
5.	156-015S	FRAME ADJ LINK ASSEMBLY	
6.	156-014E	ADJ LINK WELDMENT LH THD	
7.	803-046C	NUT HEX JAM 1 1/4-7 LH THD PLT	
8.	156-008E	FRAME ADJ LINK	
9.	803-032C	NUT HEX JAM 1 1/4-7 PLT	
10.	156-013E	ADJ LINK WELDMENT RH THD	
11.	806-006C	U-BOLT 5/8-11 X 3 17/32 X 5	
12.	804-022C	WASHER LOCK SPRING 5/8 PLT	
13.	803-021C	NUT HEX 5/8-11 PLT	
14.	⊗ 156-022H	<b>POST PIVOT BOLT</b>	
	Ⓜ 802-077C	<b>REPLACED BY 156-022H</b>	
15.	804-030C	WASHER LOCK 1 1/4 SPRING PLT	
16.	803-034C	NUT HEX 1 1/4-7 PLT	
17.	800-014C	SNAP RING 2.000	
18.	800-001C	GREASE ZERK STRAIGHT 1/4-28	
19.	805-032C	PIN HAIR COTTER .148 WIRE	
20.	156-057D	PIVOT SPACER	

**Legend:** Ⓜ = 1st revision; ⊗ = 2nd revision; ⊗ = 3rd revision; ● = use up existing stock; ⊗ = not interchangeable; ⊗ Ⓜ ⊗ = for example: revision 2 is not interchangeable w/revision 1

*Transport Wheel*



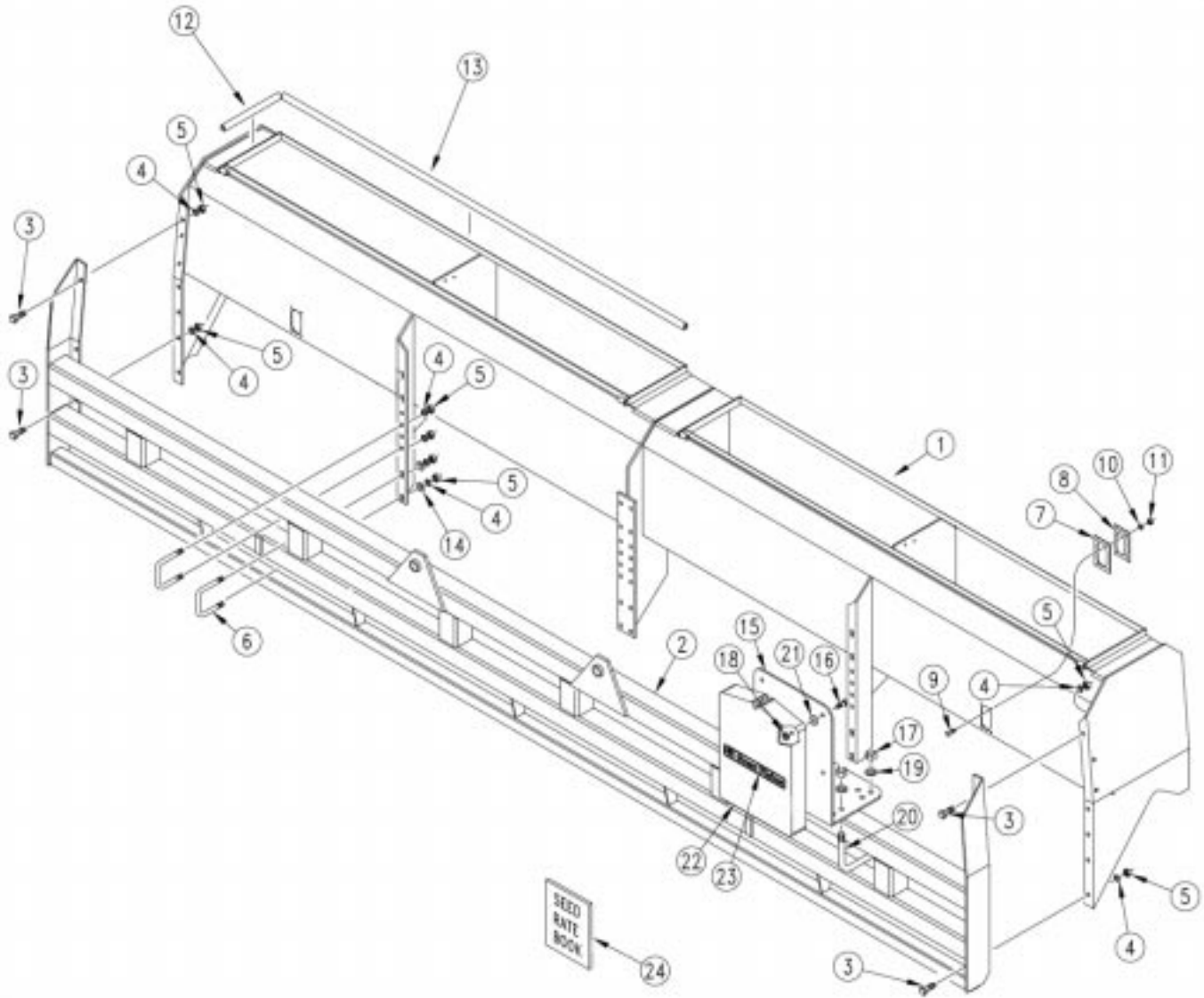
11289

**Transport Wheel**

Ref.	Part No.	Part Description	Comments
1.	155-006H	INNER AXLE SLIDE TUBE WELDMENT	
2.	802-099C	HHCS 1/2-13X3 1/4 GR5	
3.	803-019C	NUT LOCK 1/2-13 PLT	
4.	⊗ <b>815-079C</b>	<b>HUB AND SPINDLE ASSY 6 BOLT</b>	<b>Includes items 11-15 &amp; 18</b>
	● ① <b>102-002K</b>	<b>REPLACED BY 815-079C</b>	
5.	102-006K	TIRE/WHEEL ASSY 9.5LX15 12 PLY	Includes items 7, 8 & 9
	155-013A	11L TRNSPT WL & TR ASSY OPTION	Optional
6.	814-009C	TIRE 9.5L X 15-12 PLY-TUBELESS	
	814-031C	TIRE 11L-15SL 12 PLY TUBELESS	Optional
7.	816-035C	VALVE STEM TR415X.625X1 1/4 LG	
8.	814-008C	WHEEL 8 X 15 X 6 BOLT	
	814-023C	WHEEL 15 DIA X 10 WIDE X 6 BLT	Optional
9.	802-104C	BOLT WHEEL 1/2-20X1 90-DEG	
10.	815-085C	SPINDLE SGL 1.75X10.72	
11.	816-011C	SEAL 2.56X1.625X.438 CR16289	Install with lip out
12.	822-018C	BEARING CONE LM-29749	
13.	815-082C	HUB 6 BOLT 4 5/8 PILOT W/ CUPS	
14.	822-021C	BEARING CONE LM-67048	
15.	804-055C	WASHER SPINDLE - 7/8	
16.	805-016C	PIN COTTER 3/16 X 1 1/4 PLT	
17.	200-001D	HUB GREASE CAP	
18.	803-029C	NUT HEX SLOTTED 7/8-14 PLT	

**Legend:** ● = 1st revision; ⊗ = 2nd revision; ⊗ = 3rd revision; ● = use up existing stock; ⊗ = not interchangeable; ⊗ ① ⊗ = for example: revision 2 is not interchangeable w/revision 1

**Box to Frame**



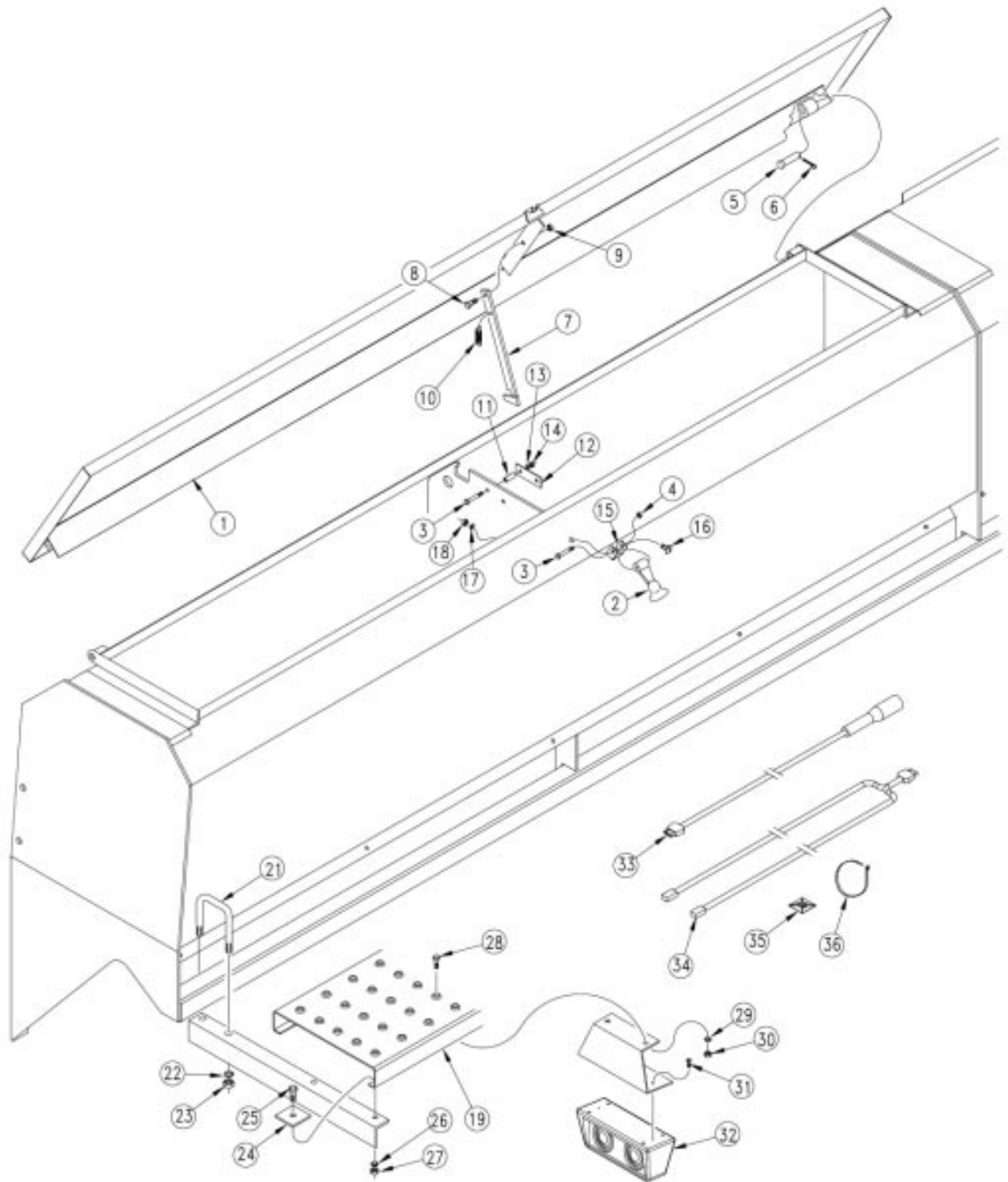
11107

**Box to Frame**

Ref.	Part No.	Part Description	Comments
1.	118-154H	12'-3PT BOX WELDMENT	
	118-156H	15'-3PT BOX WELDMENT	
2.	158-053H	24' 2-SECTION MAIN FRAME	
	158-054H	30' 2-SECTION MAIN FRAME	
3.	802-034C	HHCS 1/2-13X1 1/4 GR5	
4.	804-015C	WASHER LOCK SPRING 1/2 PLT	
5.	803-020C	NUT HEX 1/2-13 PLT	
6.	806-002C	U-BOLT 1/2-13 X 3 17/32 X4 1/2	
7.	816-013C	SIGHT GLASS GASKET	
8.	817-007C	GRAIN LEVEL SIGHT GLASS	
9.	801-003C	SCREW RD HD SLT 10-24X1/2 PLT	
10.	804-004C	WASHER INTERNAL STAR #10 PLT	
11.	803-001C	NUT HEX 10-24 PLT	
12.	118-155D	VNL SL 10 1/2 REPL BY 816-001C	
13.	118-157D	VNYL SL 117 REPL BY 816-004C	
	118-156D	VNL SEAL 79 REPL BY 816-004C	
14.	804-016C	WASHER FLAT 1/2 SAE PLT	
15.	118-652D	MANUAL PAK MOUNT	
16.	802-005C	HHCS 1/4-20X1 GR5	
17.	803-014C	NUT HEX 3/8-16 PLT	
18.	803-293C	NUT HEX FLNG T-LOCK 1/4-20 PLT	
19.	804-013C	WASHER LOCK SPRING 3/8 PLT	
20.	806-045C	U-BOLT 3/8-16 X 3 17/32 X4 1/4	
21.	817-042C	MINI END WHEEL PRESS WHEEL	
22.	817-516C	MANUAL PAK 1" W/ GASKET	
23.	838-482C	DECAL GP PLANTING COMPONENTS	
24.	202-499B	2SNG/2SF 24&30 SEEDRATE BOOK	

**Legend:** ● = 1st revision; ● = 2nd revision; ● = 3rd revision; ● = use up existing stock; ⊗ = not interchangeable; ⊗ ① ● = for example: revision 2 is not interchangeable w/revision 1

*Lid & Step*



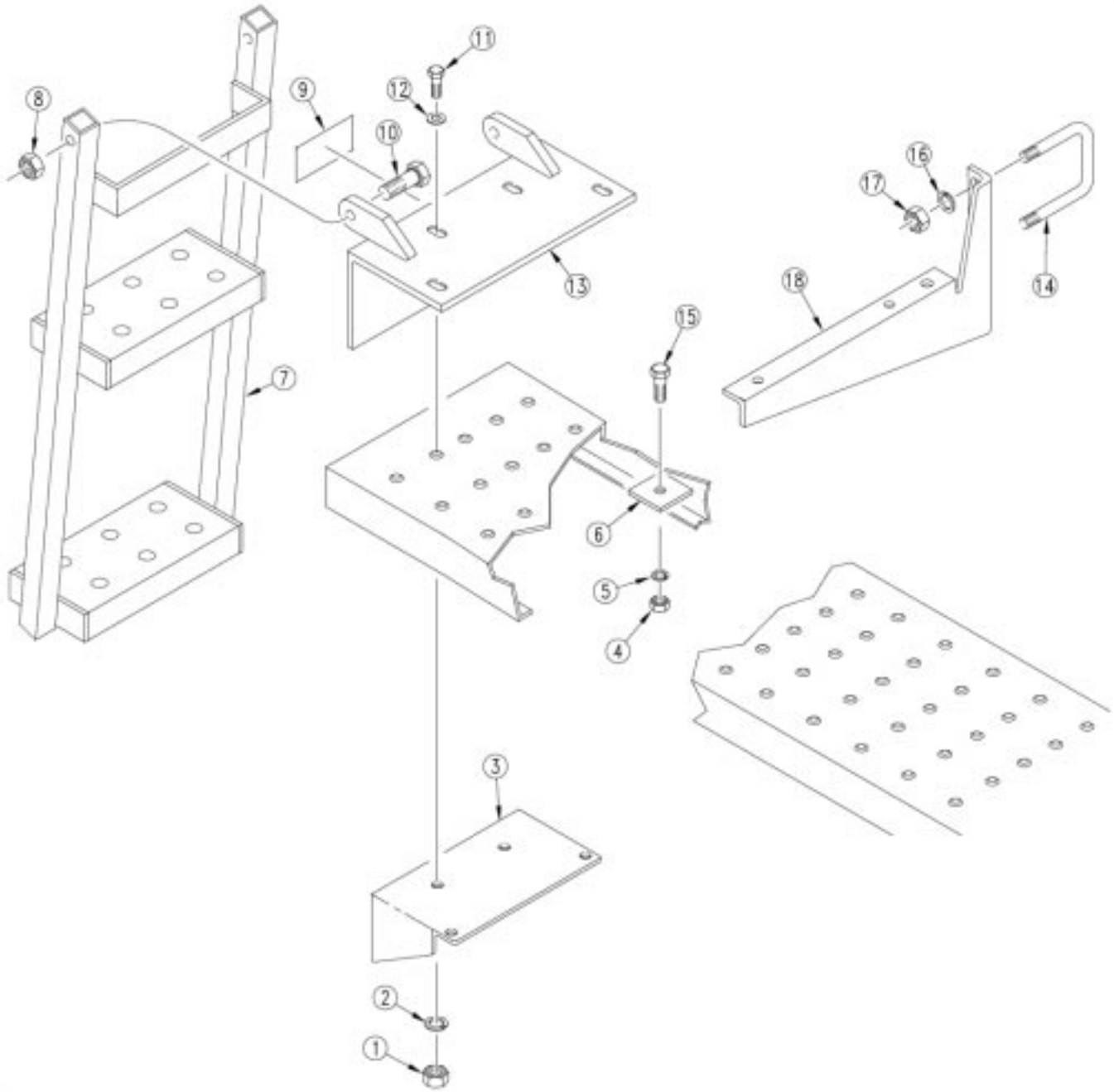
10083

**Lid & Step**

Ref.	Part No.	Part Description	Comments
1.	119-146H	12' BOX LID WELDMENT	
	119-147H	14' BOX LID WELDMENT	
2.	816-008C	RUBBER LID LATCH	
3.	802-167C	HHCS 1/4-20X1 1/2 GR5	
4.	803-007C	NUT LOCK 1/4-20 PLT	
5.	805-014C	PIN CLEVIS .491 X 2 49/64 USEL	
6.	805-019C	PIN COTTER 5/32 X 1 PLT	
7.	119-001H	LID LATCH WELDMENT	
8.	802-007C	HHCS 5/16-18X3/4 GR5	
9.	803-011C	NUT LOCK 5/16-18 PLT	
10.	807-001C	SPRING EXT LID HING	
11.	110-016D	LID HINGE STRAP SPACER	
12.	110-015D	LID LATCH STRAP	
13.	804-006C	WASHER LOCK SPRING 1/4 PLT	
14.	803-006C	NUT HEX 1/4-20 PLT	
15.	890-015C	ANCHOR BRACKET	
16.	801-028C	SCREW RD HD 5/16-18 X 1/2 PLT	
17.	804-009C	WASHER LOCK SPRING 5/16 PLT	
18.	803-008C	NUT HEX 5/16-18 PLT	
19.	119-106D	84 STEP	
	119-129D	144 STEP	
20.	119-108D	STEP ANGLE	
21.	806-005C	U-BOLT 1/2-13 X 2 X 3 GR 5	
22.	804-015C	WASHER LOCK SPRING 1/2 PLT	
23.	803-020C	NUT HEX 1/2-13 PLT	
24.	119-032D	3-PT STEP RETAINER	
25.	802-079C	HHCS 3/8-16X1 1/4 GR5	
26.	804-013C	WASHER LOCK SPRING 3/8 PLT	
27.	803-014C	NUT HEX 3/8-16 PLT	
	155-026A	2SEC LIGHT KIT	24' S/N3429F + & 30' S/N3257G+ Includes items 28-36
28.	802-079C	HHCS 3/8-16X1 1/4 GR5	
29.	804-013C	WASHER LOCK SPRING 3/8 PLT	
30.	803-014C	NUT HEX 3/8-16 PLT	
31.	801-151C	SCR HEX SELF TAP 1/4-20X1TYPEF	
32.	890-311C	DUAL AG LIGHTS LH	
	890-312C	DUAL AG LIGHTS RH	
33.	890-313C	AG LIGHT WIRING HARNESS-28'	
34.	890-430C	LIGHT HARNESS, 20' WISHBONE	
35.	800-148C	CABLE TIE MOUNT	
36.	800-112C	CABLE TIE .19X7.25 1.75D 50LB	

**Legend:** ● = 1st revision; ● = 2nd revision; ● = 3rd revision; ● = use up existing stock; ⊗ = not interchangeable; ⊗ ① ● = for example: revision 2 is not interchangeable w/revision 1

*Ladder Assembly*



16957

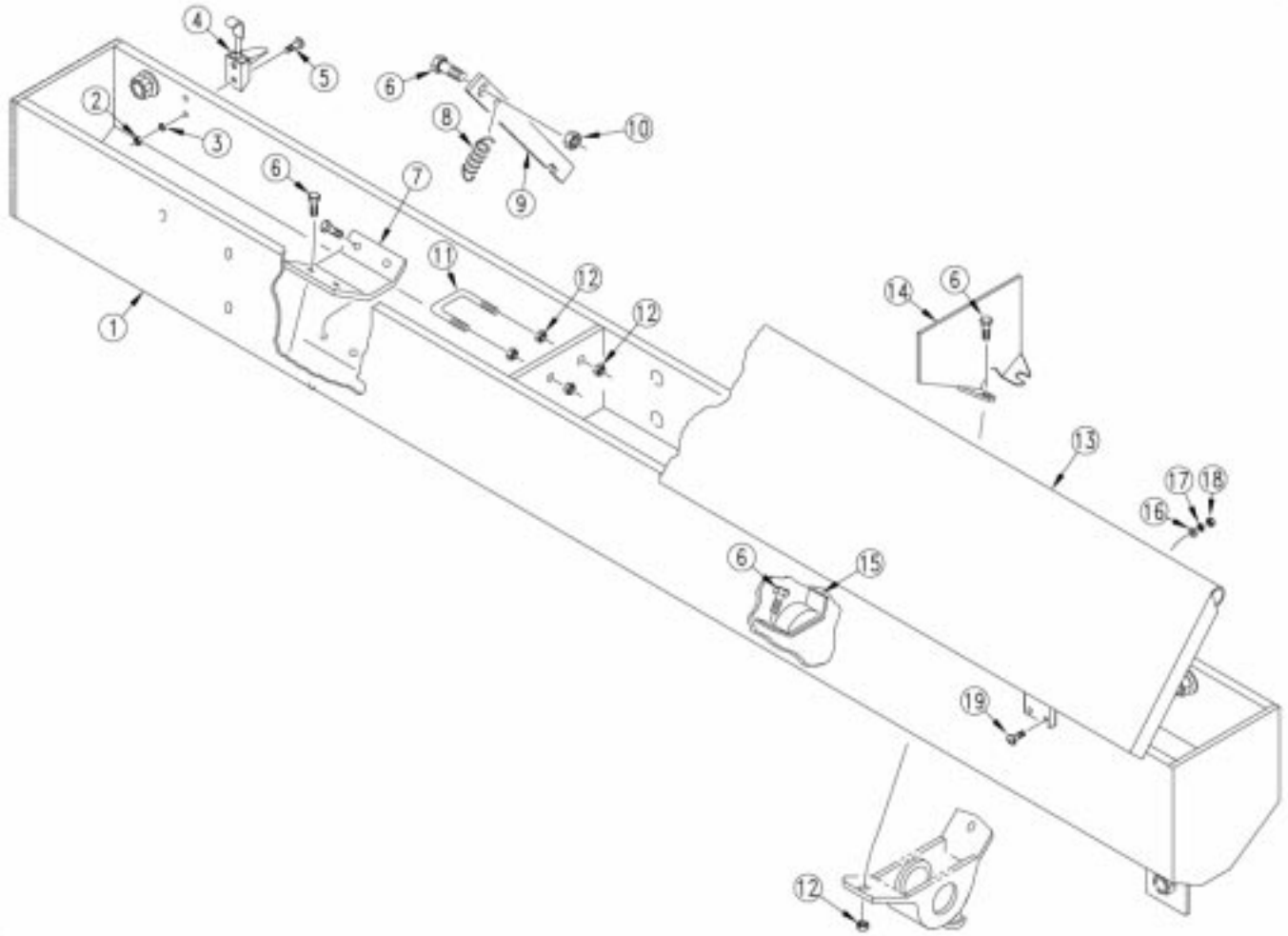


**Ladder Assembly**

Ref.	Part No.	Part Description	Comments
1.	803-008C	NUT HEX 5/16-18 PLT	
2.	804-009C	WASHER LOCK SPRING 5/16 PLT	
3.	119-131D	LADDER BRACE PLATE	
4.	803-014C	NUT HEX 3/8-16 PLT	
5.	804-013C	WASHER LOCK SPRING 3/8 PLT	
6.	119-032D	3-PT STEP RETAINER	
7.	189-007H	LADDER WELDMENT	
8.	803-019C	NUT LOCK 1/2-13 PLT	
9.	818-229C	DECAL AMBER REFLECTOR	
10.	802-130C	HHCS 1/2-13X2 1/2 GR5	
11.	802-012C	HHCS 5/16-18X1 1/2 GR5	
12.	804-010C	WASHER FLAT 5/16 USS PLT	
13.	119-179H	LADDER MOUNT WELDMENT	
14.	806-005C	U-BOLT 1/2-13 X 2 X 3 GR 5	
15.	802-079C	HHCS 3/8-16X1 1/4 GR5	
16.	804-015C	WASHER LOCK SPRING 1/2 PLT	
17.	803-020C	NUT HEX 1/2-13 PLT	
18.	119-128D	STEP MOUNTING BRACKET	

**Legend:** ● = 1st revision; ● = 2nd revision; ● = 3rd revision; ● = use up existing stock; ⊗ = not interchangeable; ⊗ ① ● = for example: revision 2 is not interchangeable w/revision 1

*Small Seeds Box Assembly*



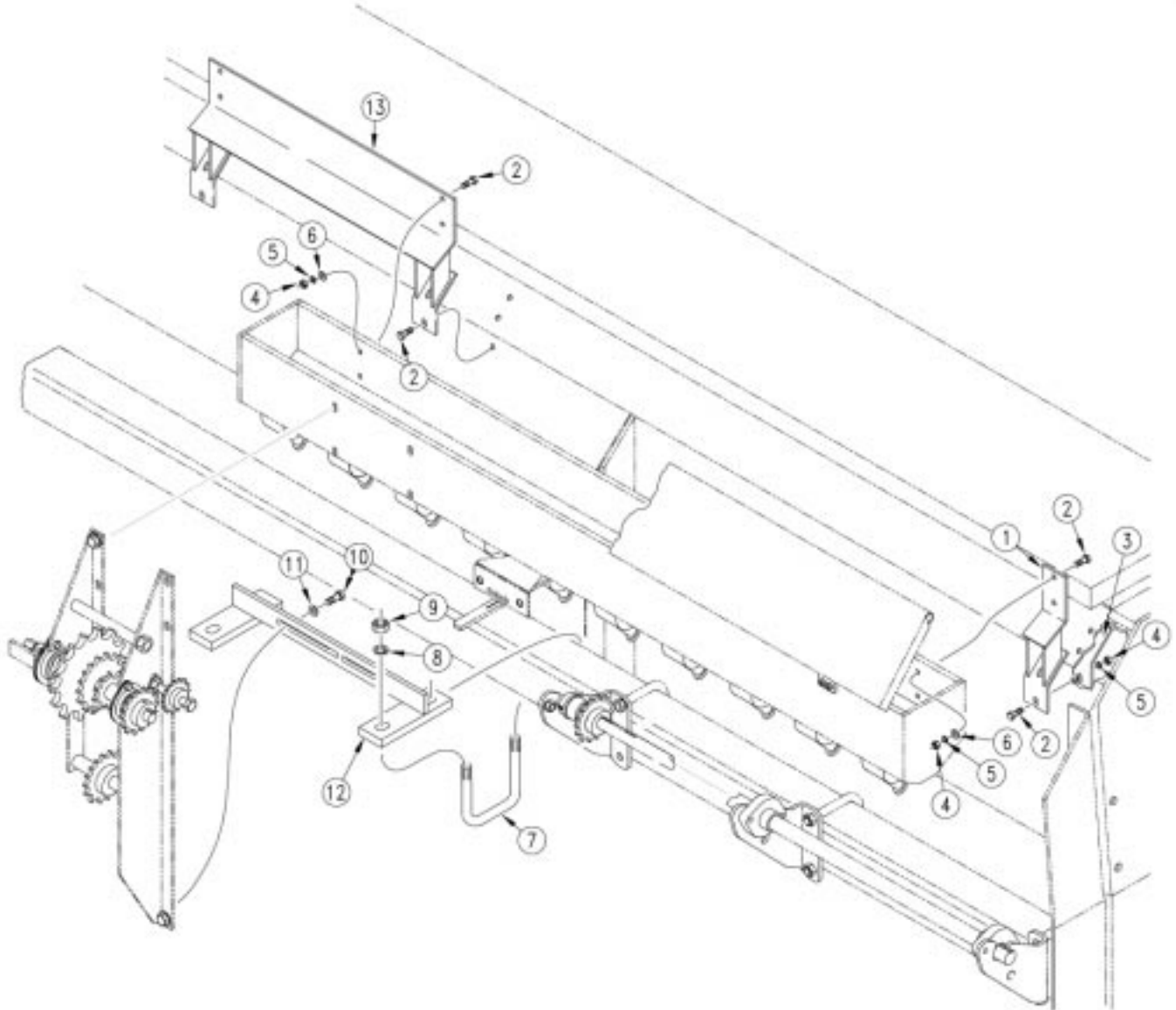
16207

**Small Seeds Box Assembly**

Ref.	Part No.	Part Description	Comments
1.	123-059H	6-96 GRASS SEED BOX RH	
	123-060H	6-96 GRASS SEED BOX LH	
	123-061H	6-81 GRASS SEED BOX RH	
	123-062H	6-81 GRASS SEED BOX LH	
	123-076H	10-96 GRASS SEED BOX LH	
	123-077H	10-96 GRASS SEED BOX RH	
	123-078H	12-59 GRASS SEED BOX RH	
	123-079H	12-59 GRASS SEED BOX LH	
	123-080H	10-59 GRASS SEED BOX RH	
	123-081H	10-59 GRASS SEED BOX LH	
	123-082H	7 1/2-59 GRASS SEED BOX RH	
	123-083H	7 1/2-59 GRASS SEED BOX LH	
	123-084H	7-59 GRASS SEED BOX RH	
	123-085H	7-59 GRASS SEED BOX LH	
	123-086H	6-59 GRASS SEED BOX RH	
	123-087H	6-59 GRASS SEED BOX LH	
	123-088H	7-96 GRASS SEED BOX LH	
	123-089H	7-96 GRASS SEED BOX RH	
	123-090H	7 1/2-96 GRASS SEED BOX LH	
	123-091H	7 1/2-96 GRASS SEED BOX RH	
	123-092H	8-96 GRASS SEED BOX LH	
	123-093H	8-96 GRASS SEED BOX RH	
	123-096H	7-81 GRASS SEED BOX RH	
	123-097H	7-81 GRASS SEED BOX LH	
	123-098H	7 1/2-81 GRASS SEED BOX RH	
	123-099H	7 1/2-81 GRASS SEED BOX LH	
	123-100H	8-81 GRASS SEED BOX RH	
	123-101H	8-81 GRASS SEED BOX LH	
	123-102H	10-81 GRASS SEED BOX RH	
	123-103H	10-81 GRASS SEED BOX LH	
2.	803-065C	NUT HEX 6-32 SS	
3.	804-050C	WASHER LOCK #6 SS	
4.	800-027C	LATCH GRASS SEEDER	
5.	801-017C	SCREW PAN HD 6-32 X 1/2 SS	
6.	802-078C	HHCS 1/4-20X5/8 GR5	
7.	123-118D	SEED ADJUSTMENT SUPPORT	
8.	807-018C	SPRING EXT LID LATCH	
9.	123-125D	LID LOCK BAR	
10.	803-007C	NUT LOCK 1/4-20 PLT	
11.	806-025C	U-BOLT 1/4-20 X 15/16 X 1 PLT	
12.	803-006C	NUT HEX 1/4-20 PLT	
13.	123-064H	81 INCH SEED BOX LID WELDMENT	
	123-121H	59 SEED BOX LID WELDMENT	
14.	123-310D	PARTITION SMALL SEED BOX	
15.	123-051D	SEED BOX SPROCKET CAP	
16.	804-046C	WASHER FLAT #10 SAE PLT	
17.	804-004C	WASHER INTERNAL STAR #10 PLT	
18.	803-001C	NUT HEX 10-24 PLT	
19.	801-003C	SCREW RD HD SLT 10-24X1/2 PLT	

**Legend:** ● = 1st revision; ● = 2nd revision; ● = 3rd revision; ● = use up existing stock; ⊗ = not interchangeable; ⊗ ① ● = for example: revision 2 is not interchangeable w/revision 1

**Small Seeds Box Mounting Assembly**



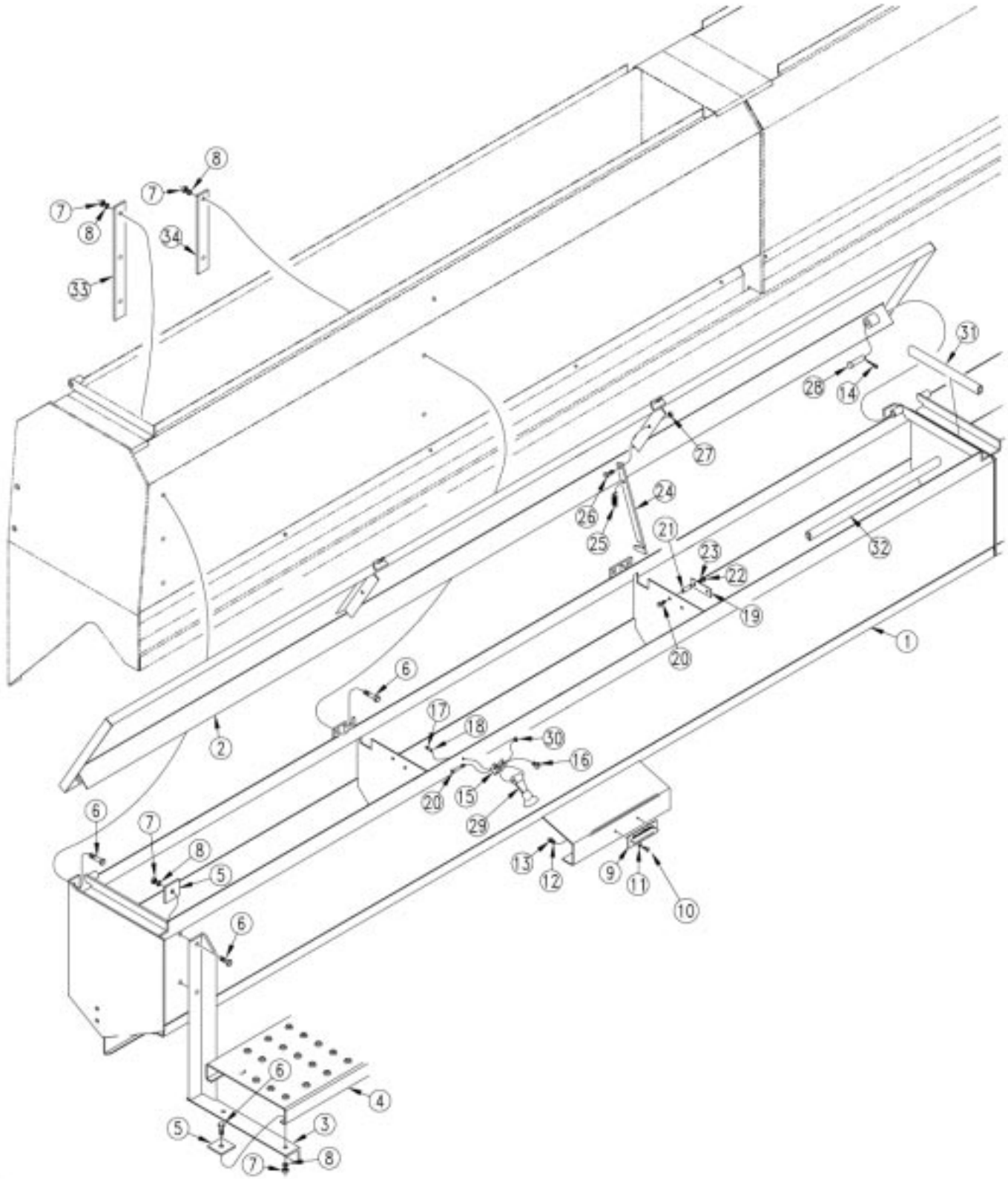
11434

**Small Seeds Box Mounting Assembly**

Ref.	Part No.	Part Description	Comments
1.	123-291H	2-SEC GRASS BOX MOUNT BRACKET	
2.	802-159C	HHCS 5/16-18X1 GR5	
3.	123-291D	2 SECTION MOUNT BRACKET BRACE	
4.	803-008C	NUT HEX 5/16-18 PLT	
5.	804-009C	WASHER LOCK SPRING 5/16 PLT	
6.	804-010C	WASHER FLAT 5/16 USS PLT	
7.	806-006C	U-BOLT 5/8-11 X 3 17/32 X 5	
8.	804-022C	WASHER LOCK SPRING 5/8 PLT	
9.	803-021C	NUT HEX 5/8-11 PLT	
10.	802-017C	HHCS 3/8-16X1 GR5	
11.	804-012C	WASHER FLAT 3/8 SAE PLT	
12.	123-317H	2-SEC BRACE MOUNT	
13.	123-292H	24 2 SEC CENTER GRASS BOX MNT	
	123-293H	30 2 SEC CENTER GRASS BOX MNT	

**Legend:** ● = 1st revision; ● = 2nd revision; ● = 3rd revision; ● = use up existing stock; ⊗ = not interchangeable; ⊗ ① ● = for example: revision 2 is not interchangeable w/revision 1

Fertilizer Box Assembly



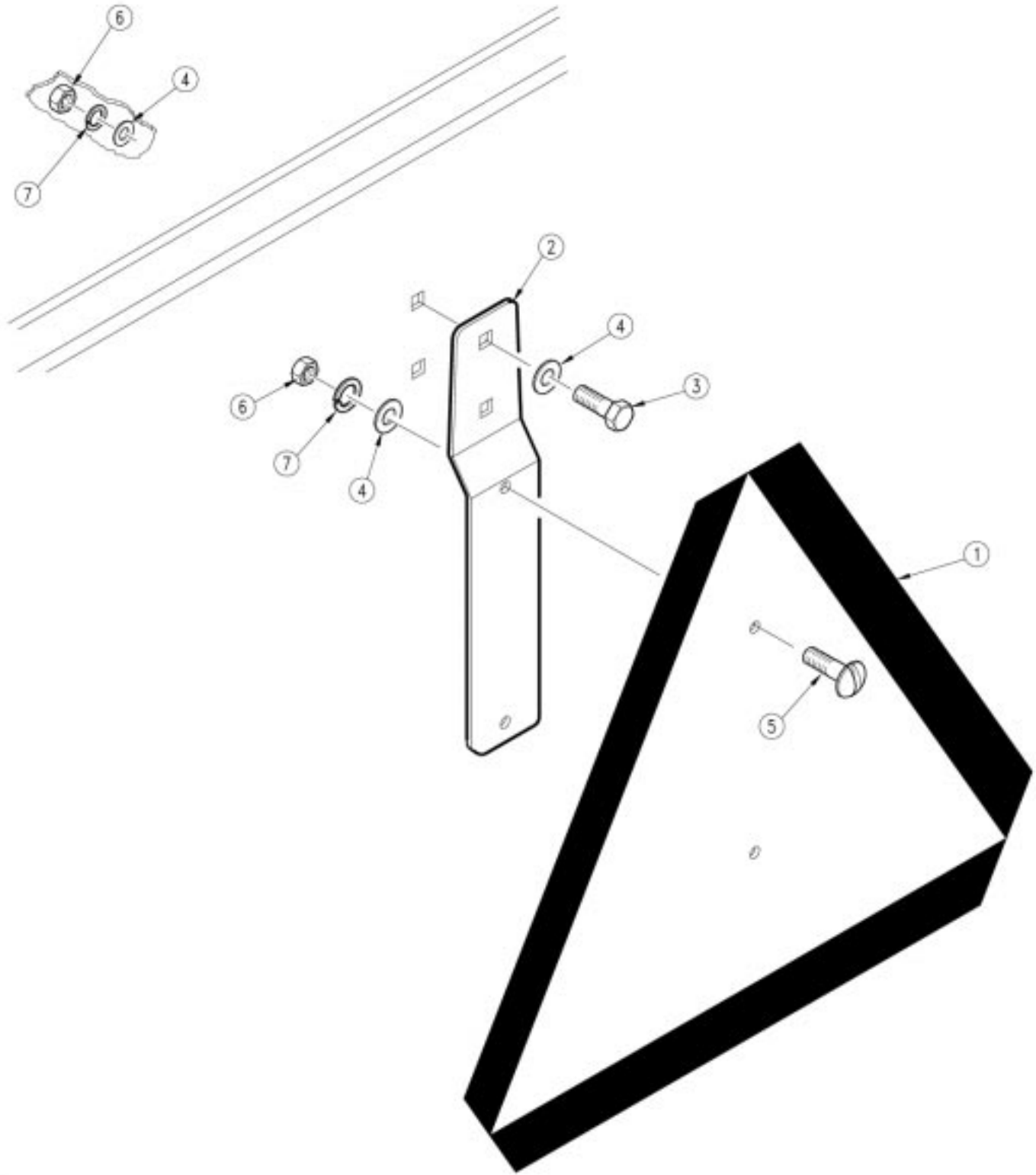
10659

**Fertilizer Box Assembly**

Ref.	Part No.	Part Description	Comments
1.	142-041H	12' FERTILIZER BOX WELDMENT	
	142-042H	15' FERTILIZER BOX WELDMENT	
2.	119-146H	12' BOX LID WELDMENT	
	119-147H	14' BOX LID WELDMENT	
3.	119-132H	FERTILIZER STEP HANGER	
4.	119-129D	144 STEP	
	119-106D	84 STEP	
5.	119-032D	3-PT STEP RETAINER	
6.	802-079C	HHCS 3/8-16X1 1/4 GR5	
7.	804-013C	WASHER LOCK SPRING 3/8 PLT	
8.	803-014C	NUT HEX 3/8-16 PLT	
9.	819-005C	NAME PLATE ADJ GAUGE SHORT	
10.	801-001C	SCREW RD HD 8-32 X 3/8 BRASS	
11.	804-003C	WASHER FLAT #8 BRASS	
12.	804-002C	WASHER INTERNAL STAR #8 BRASS	
13.	803-035C	NUT HEX 8-32 BRASS	
14.	805-019C	PIN COTTER 5/32 X 1 PLT	
15.	890-015C	ANCHOR BRACKET	
16.	801-028C	SCREW RD HD 5/16-18 X 1/2 PLT	
17.	803-008C	NUT HEX 5/16-18 PLT	
18.	804-009C	WASHER LOCK SPRING 5/16 PLT	
19.	110-015D	LID LATCH STRAP	
20.	802-167C	HHCS 1/4-20X1 1/2 GR5	
21.	110-016D	LID HINGE STRAP SPACER	
22.	803-006C	NUT HEX 1/4-20 PLT	
23.	804-006C	WASHER LOCK SPRING 1/4 PLT	
24.	119-001H	LID LATCH WELDMENT	
25.	807-001C	SPRING EXT LID HING	
26.	802-007C	HHCS 5/16-18X3/4 GR5	
27.	803-011C	NUT LOCK 5/16-18 PLT	
28.	805-014C	PIN CLEVIS .491 X 2 49/64 USEL	
29.	816-008C	RUBBER LID LATCH	
30.	803-007C	NUT LOCK 1/4-20 PLT	
31.	816-001C	VINYL SEAL 3/8 X 5/8/FT	
32.	816-004C	VINYL SEAL 3/8 X 1/2/FT	
33.	142-035D	BOX MOUNTING HOLE SUPPORT	
34.	142-036D	PARTITION SUPPORT	

**Legend:** ● = 1st revision; ● = 2nd revision; ● = 3rd revision; ● = use up existing stock; ⊗ = not interchangeable; ⊗ ① ● = for example: revision 2 is not interchangeable w/revision 1

Fertilizer Slow Moving Vehicle Assembly



10395

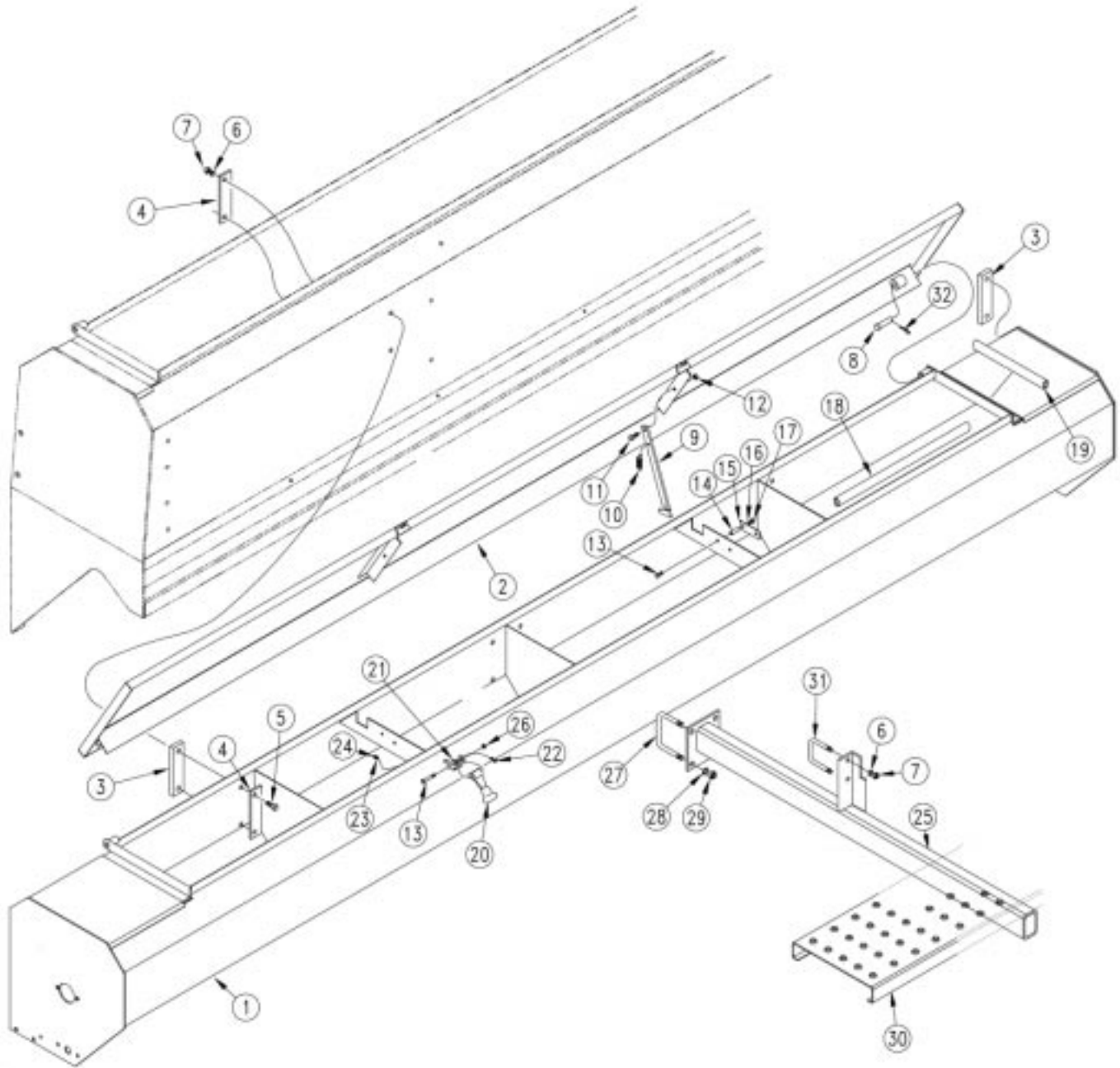


**Fertilizer Slow Moving Vehicle Assembly**

Ref.	Part No.	Part Description	Comments
1.	818-055C	DECAL SLOW MOVING-GALV. BACKED	
2.	890-153C	SMV MOUNTING BLADE	
3.	802-004C	HHCS 1/4-20X3/4 GR5	
4.	804-007C	WASHER FLAT 1/4 SAE PLT	
5.	801-018C	SCREW RD HD 1/4-20 X 5/8	
6.	803-006C	NUT HEX 1/4-20 PLT	
7.	804-006C	WASHER LOCK SPRING 1/4 PLT	

**Legend:** ① = 1st revision; ② = 2nd revision; ③ = 3rd revision; ● = use up existing stock; ⊗ = not interchangeable; ⊗ ① ② = for example: revision 2 is not interchangeable w/revision 1

Native Grass Box, Lid & Step Assembly



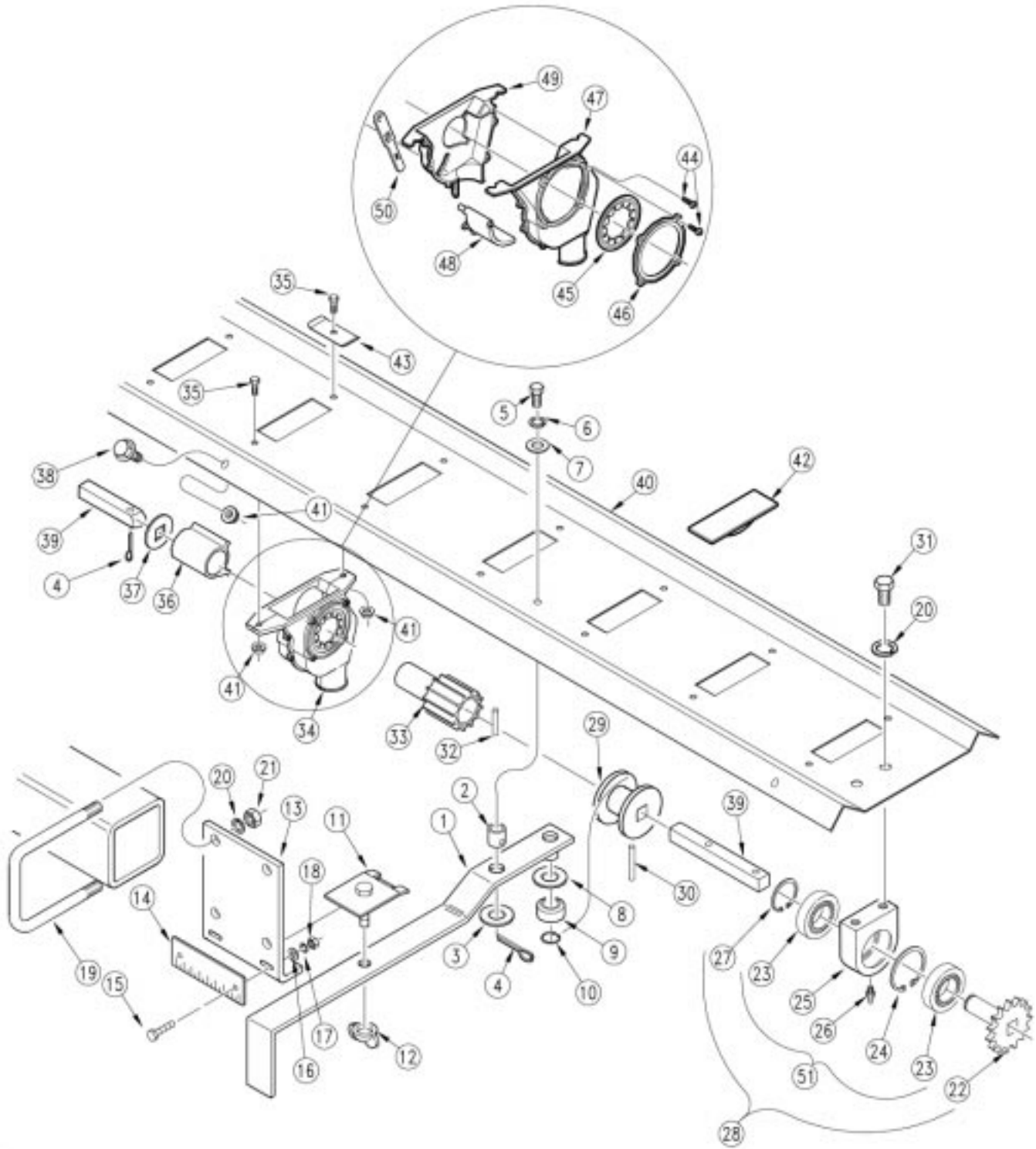
11423

**Native Grass Box, Lid & Step Assembly**

Ref.	Part No.	Part Description	Comments
1.	202-010H	12'-12 GRASS BOX WELDMENT	
	202-011H	12'-10 GRASS BOX WELDMENT	
	202-012H	12'-8 GRASS BOX WELDMENT	
	202-013H	12'-7 1/2 GRASS BOX WELDMENT	
	202-014H	12'-7 GRASS BOX WELDMENT	
	202-015H	12'-6 GRASS BOX WELDMENT	
	202-016H	15'-12 GRASS BPX WELDMENT	
	202-017H	15'-10 GRASS BOX WELDMENT	
	202-018H	15'-8 GRASS BOX WELDMENT	
	202-019H	15'-7 1/2 GRASS BOX WELDMENT	
	202-020H	15'-7 GRASS BOX WELDMENT	
	202-021H	15'-6 GRASS BOX WELDMENT	
2.	119-146H	12' BOX LID WELDMENT	
	119-147H	14' BOX LID WELDMENT	
3.	202-031D	BOX MOUNT SPACER	
	202-103D	BOX MOUNT SPACER - LONG	
4.	202-032D	MOUNTING BACK-UP PLATE	
5.	802-032C	HHCS 1/2-13X3/4 GR5	
6.	804-013C	WASHER LOCK SPRING 3/8 PLT	
7.	803-014C	NUT HEX 3/8-16 PLT	
8.	805-014C	PIN CLEVIS .491 X 2 49/64 USEL	
9.	119-001H	REPLACED BY 119-224D	
10.	807-001C	SPRING EXT LID HING	
11.	802-007C	HHCS 5/16-18X3/4 GR5	
12.	803-011C	NUT LOCK 5/16-18 PLT	
13.	802-167C	HHCS 1/4-20X1 1/2 GR5	
14.	110-016D	LID HINGE STRAP SPACER	
15.	110-015D	LID LATCH STRAP	
16.	804-006C	WASHER LOCK SPRING 1/4 PLT	
17.	803-006C	NUT HEX 1/4-20 PLT	
18.	816-004C	VINYL SEAL 3/8 X 1/2/FT	
19.	816-001C	VINYL SEAL 3/8 X 5/8/FT	
20.	816-008C	RUBBER LID LATCH	
21.	890-015C	ANCHOR BRACKET	
22.	801-028C	SCREW RD HD 5/16-18 X 1/2 PLT	
23.	804-009C	WASHER LOCK SPRING 5/16 PLT	
24.	803-008C	NUT HEX 5/16-18 PLT	
25.	119-153H	STEP SUPPORT - GRASS	
26.	803-007C	NUT LOCK 1/4-20 PLT	
27.	806-002C	U-BOLT 1/2-13 X 3 17/32 X4 1/2	
28.	804-015C	WASHER LOCK SPRING 1/2 PLT	
29.	803-020C	NUT HEX 1/2-13 PLT	
30.	119-106D	84 STEP	
	119-014D	STEP 120	
31.	806-004C	U-BOLT 3/8-16 X 2 X 2 3/4	
32.	805-019C	PIN COTTER 5/32 X 1 PLT	

**Legend:** ● = 1st revision; ● = 2nd revision; ● = 3rd revision; ● = use up existing stock; ⊗ = not interchangeable; ⊗ ⊕ ● = for example: revision 2 is not interchangeable w/revision 1

2SF24 Feeder Cup Channel Assembly



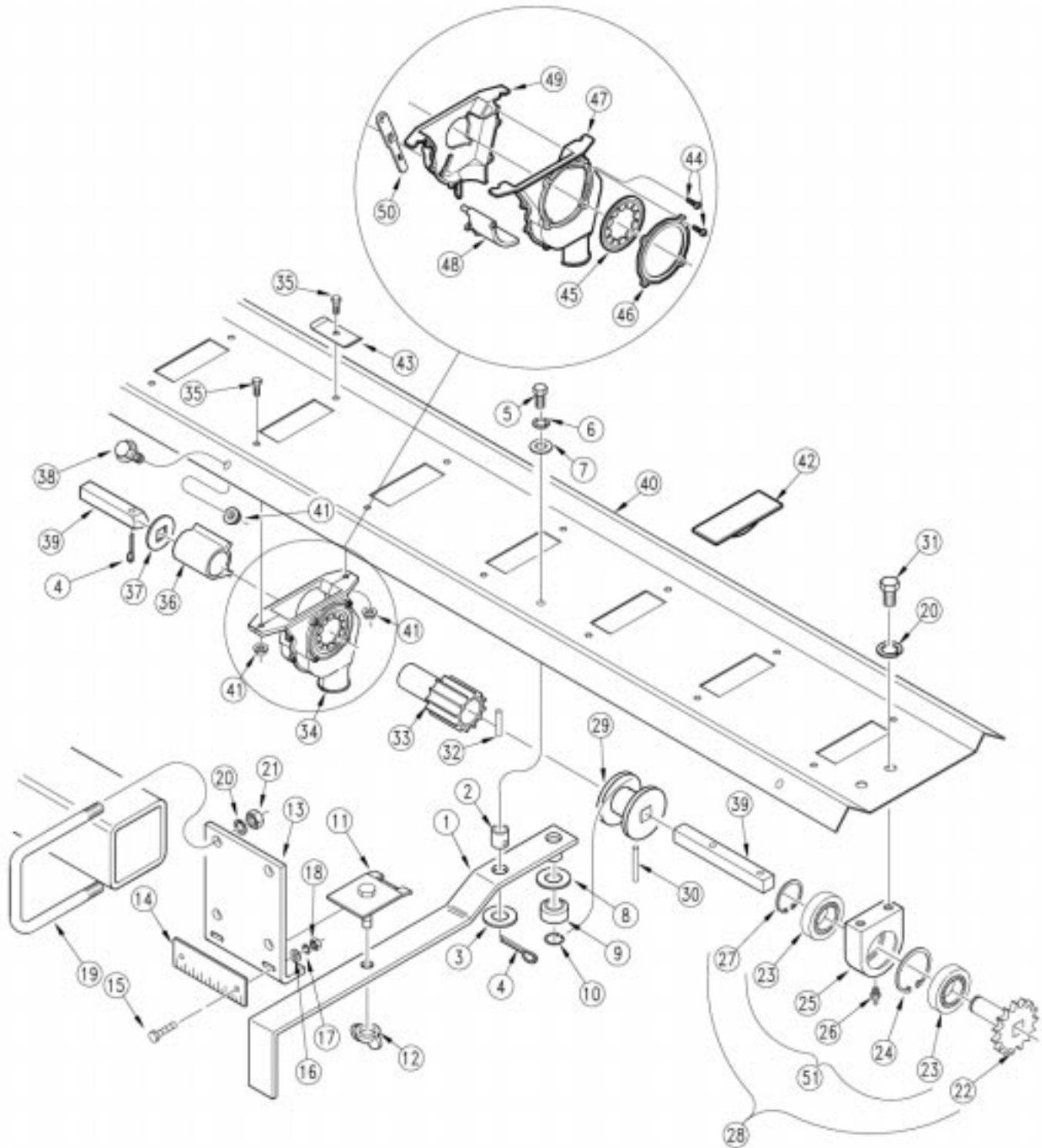
10220

## 2SF24 Feeder Cup Channel Assembly

Ref.	Part No.	Part Description	Comments
1.	120-161H	SEED RATE ADJ HANDLE FRONT	
2.	109-069D	ADJUSTMENT HANDLE PIVOT	
3.	804-019C	WASHER FLAT 5/8 USS PLT	
4.	805-016C	PIN COTTER 3/16 X 1 1/4 PLT	
5.	802-014C	HHCS 3/8-16X3/4 GR5	
6.	804-013C	WASHER LOCK SPRING 3/8 PLT	
7.	804-012C	WASHER FLAT 3/8 SAE PLT	
8.	804-001C	WASHER ADJ HANDLE BRG	
9.	822-008C	BEARING ADJ HANDLE 6203 2RS	
10.	800-003C	SNAP RING EXT 17 MM	
11.	109-025H	ADJ LOCK PLATE ASS'Y - 1 1/2 W	
12.	803-016C	NUT WING 1/2-13 PLT	
13.	120-171D	SEED RATE GAUGE MOUNT	
14.	819-005C	NAME PLATE ADJ GAUGE SHORT	
15.	801-001C	SCREW RD HD 8-32 X 3/8 BRASS	
16.	804-003C	WASHER FLAT #8 BRASS	
17.	804-002C	WASHER INTERNAL STAR #8 BRASS	
18.	803-035C	NUT HEX 8-32 BRASS	
19.	806-002C	U-BOLT 1/2-13 X 3 17/32 X4 1/2	
20.	804-015C	WASHER LOCK SPRING 1/2 PLT	
21.	803-020C	NUT HEX 1/2-13 PLT	
22.	109-002H	39T SPROCKET & HUB ASSEMBLY	
23.	822-006C	BEARING 206	
24.	800-005C	RING FC HOUSING	
25.	109-039D	FEEDER CUP BRG HOUSING	
26.	800-001C	GREASE ZERK STRAIGHT 1/4-28	
27.	800-004C	SNAP RING EXT BASIC 1.880	
28.	109-003S	GRAIN 39T SPRKT HUB & BRG ASSY	Includes items 23, 24, & 25 thru 28
29.	⊗ <b>109-091D</b>	<b>MACHINED ADJUSTMENT SPOOL</b>	
	● <b>109-013H</b>	<b>ADJ SPOOL ASSY REPLBY 109-091D</b>	
30.	805-023C	PIN ROLL 3/16X1 1/4 PLT	
31.	802-032C	HHCS 1/2-13X3/4 GR5	
32.	805-070C	PIN ROLL .182 X 1 5/32 FDR CUP	
33.	817-002C	NYLON SPROCKET	
	890-121C	POWDER METAL SPROCKET D2861B	
34.	⊗ <b>817-094C</b>	<b>SEED CUP ASSEMBLY-1 1/4</b>	
	● <b>817-016C</b>	<b>SEED CUP ASSY REPL BY 817-094C</b>	
35.	802-004C	HHCS 1/4-20X3/4 GR5	
36.	817-003C	DELTRIN SLEEVE	
37.	804-031C	WASHER RETAINING	
38.	802-196C	HFSS 1/4-20X5/8 GR5	
39.	120-103D	12'-6 LH FEEDER CUP SHAFT	
	120-109D	12'-6 RH FEEDER CUP SHAFT	
	120-104D	12'-7 LH FEEDER CUP SHAFT	
	120-110D	12'-7 RH FEEDER CUP SHAFT	
	120-105D	12'-7 1/2 LH FEEDER CUP SHAFT	
	120-111D	12'-7 1/2 RH FEEDER CUP SHAFT	
	120-106D	12'-8 LH FEEDER CUP SHAFT	
	120-112D	12'-8 RH FEEDER CUP SHAFT	
	120-107D	12'-10 LH FEEDER CUP SHAFT	
	120-113D	12'-10 RH FEEDER CUP SHAFT	
40.	118-121D	12' LH 6 FEEDER CUP CHANNEL	
	118-127D	12' RH 6 FEEDER CUP CHANNEL	
	118-122D	12' LH 7 FEEDER CUP CHANNEL	
	118-128D	12' RH 7 FEEDER CUP CHANNEL	
	118-123D	12' LH 7 1/2 FEEDER CUP CHNL	
	118-129D	12' RH 7 1/2 FEEDER CUP CHNL	
	118-124D	12' LH 8 FEEDER CUP CHANNEL	
	118-130D	12' RH 8 FEEDER CUP CHANNEL	
	118-125D	12' LH 10 FEEDER CUP CHANNEL	
	118-131D	12' RH 10 FEEDER CUP CHANNEL	
	118-131D	12' RH 10 FEEDER CUP CHANNEL	
41.	803-088C	NUT HEX LOCK 1/4-20 FLG	
42.	⊗ <b>817-200C</b>	<b>1 1/4 WIDE FEEDER CUP PLUG</b>	
	● <b>109-009H</b>	<b>REPLACED BY 817-200C</b>	
43.	118-331D	FEEDER CUP DIVIDER CLIP	
44.	801-057C	SCR SELF TAP 8X3/8 TYPE25 BT	
45.	817-004C	NYLON WASHER	
46.	817-073C	SEED CUP WASHER RETAINER	
47.	817-096C	SEED CUP LEFT HALF	
48.	817-095C	SEED CUP DOOR	
49.	817-097C	SEED CUP RIGHT HALF	
50.	817-071C	SEED CUP ADJUSTMENT HANDLE	

Legend: ● = 1st revision; ⊗ = 2nd revision; ⊕ = 3rd revision; ● = use up existing stock; ⊗ = not interchangeable; ⊕ ⊗ = for example: revision 2 is not interchangeable w/revision 1

2SF30 Feedcer Cup Channel Assembly



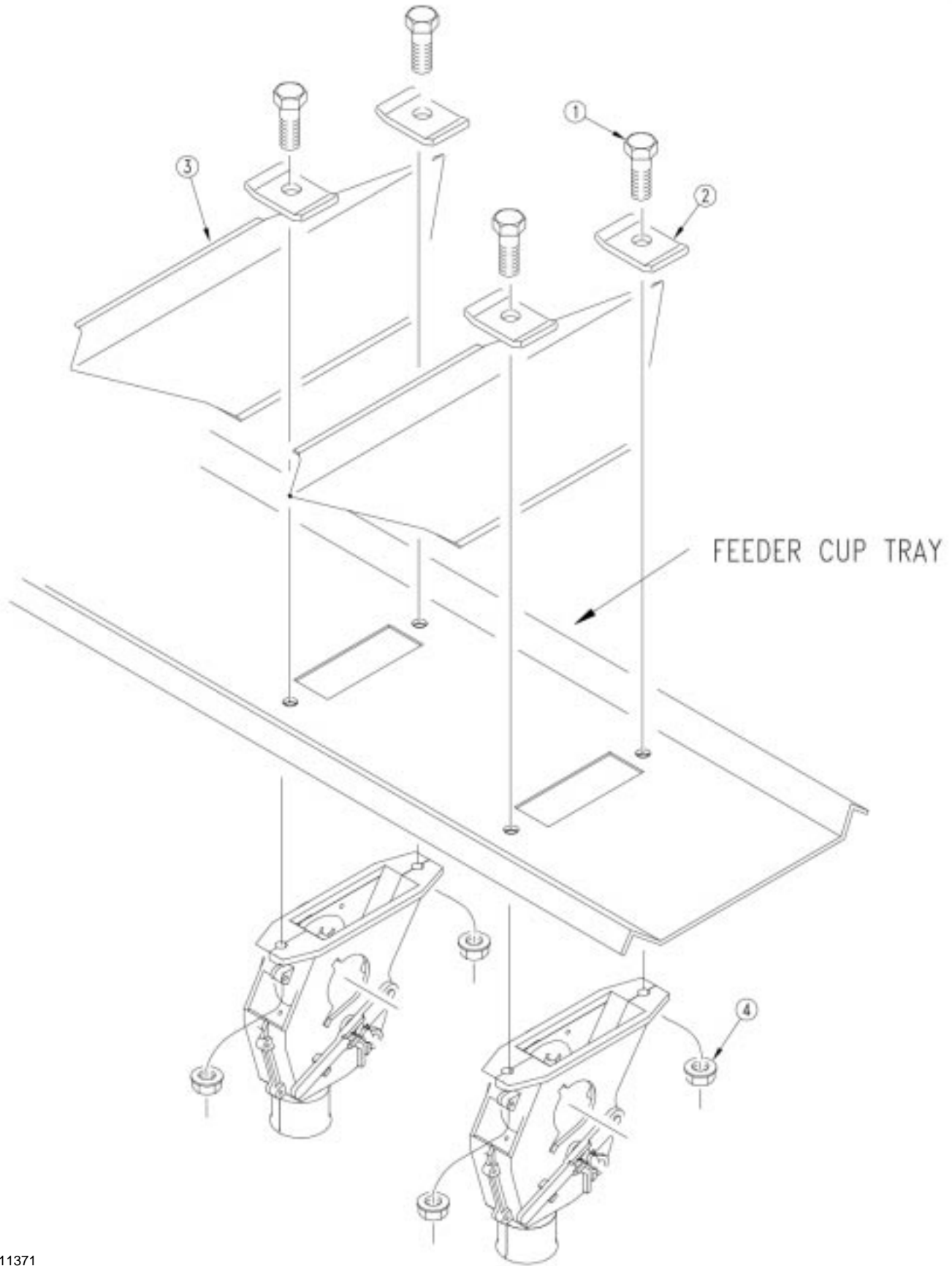
10220

## 2SF30 Feeder Cup Channel Assembly

Ref.	Part No.	Part Description	Comments
1.	120-161H	SEED RATE ADJ HANDLE FRONT	
2.	109-069D	ADJUSTMENT HANDLE PIVOT	
3.	804-019C	WASHER FLAT 5/8 USS PLT	
4.	805-016C	PIN COTTER 3/16 X 1 1/4 PLT	
5.	802-014C	HHCS 3/8-16X3/4 GR5	
6.	804-013C	WASHER LOCK SPRING 3/8 PLT	
7.	804-012C	WASHER FLAT 3/8 SAE PLT	
8.	804-001C	WASHER ADJ HANDLE BRG	
9.	822-008C	BEARING ADJ HANDLE 6203 2RS	
10.	800-003C	SNAP RING EXT 17 MM	
11.	109-025H	ADJ LOCK PLATE ASS'Y - 1 1/2 W	
12.	803-016C	NUT WING 1/2-13 PLT	
13.	120-171D	SEED RATE GAUGE MOUNT	
14.	819-005C	NAME PLATE ADJ GAUGE SHORT	
15.	801-001C	SCREW RD HD 8-32 X 3/8 BRASS	
16.	804-003C	WASHER FLAT #8 BRASS	
17.	804-002C	WASHER INTERNAL STAR #8 BRASS	
18.	803-035C	NUT HEX 8-32 BRASS	
19.	806-002C	U-BOLT 1/2-13 X 3 17/32 X4 1/2	
20.	804-015C	WASHER LOCK SPRING 1/2 PLT	
21.	803-020C	NUT HEX 1/2-13 PLT	
22.	109-002H	39T SPROCKET & HUB ASSEMBLY	
23.	822-006C	BEARING 206	
24.	800-005C	RING FC HOUSING	
25.	109-039D	FEEDER CUP BRG HOUSING	
26.	800-001C	GREASE ZERK STRAIGHT 1/4-28	
27.	800-004C	SNAP RING EXT BASIC 1.880	
28.	109-003S	GRAIN 39T SPRKT HUB & BRG ASSY	Includes items 23, 24, & 25 thru 28
29.	⊕ <b>109-091D</b>	<b>MACHINED ADJUSTMENT SPOOL</b>	
	● ① <b>109-013H</b>	<b>ADJ SPOOL ASSY REPLBY 109-091D</b>	
30.	805-023C	PIN ROLL 3/16X1 1/4 PLT	
31.	802-032C	HHCS 1/2-13X3/4 GR5	
32.	805-070C	PIN ROLL .182 X 1 5/32 FDR CUP	
33.	817-002C	NYLON SPROCKET	
	890-121C	POWDER METAL SPROCKET D2861B	
34.	⊕ <b>817-094C</b>	<b>SEED CUP ASSEMBLY-1 1/4</b>	
	● ① <b>817-016C</b>	<b>SEED CUP ASSY REPL BY 817-094C</b>	
35.	802-004C	HHCS 1/4-20X3/4 GR5	
36.	817-003C	DELTRIN SLEEVE	
37.	804-031C	WASHER RETAINING	
38.	802-196C	HFSS 1/4-20X5/8 GR5	
39.	120-170D	15'-6 LH FEEDER CUP SHAFT	
	120-169D	15'-6 RH FEEDER CUP SHAFT	
	120-101D	15'-7LH FEEDER CUP SHAFT	
	120-120D	15'-7 RH FEEDER CUP SHAFT	
	120-115D	15'-7 1/2 LH FEEDER CUP SHAFT	
	120-121D	15'-7 1/2 RH FEEDER CHP SHAFT	
	120-116D	15'-8 LH FEEDER CUP SHAFT	
	120-122D	15'-8 RH FEEDER CUP SHAFT	
	120-117D	15'-10 LH FEEDER CUP SHAFT	
	120-123D	15'-10 RH FEEDER CUP SHAFT	
40.	118-268D	15' LH 6 FEEDER CUP CHANNEL	
	118-274D	15' RH 6 FEEDER CUP CHANNEL	
	118-267D	15' LH 7 FEEDER CUP CHANNEL	
	118-273D	15' RH 7 FEEDER CUP CHANNEL	
	118-266D	15' LH 7 1/2 FEEDER CUP CHNL	
	118-272D	15' RH 7 1/2 FEEDER CUP CHNL	
	118-265D	15' LH 8 FEEDER CUP CHANNEL	
	118-271D	15' RH 8 FEEDER CUP CHANNEL	
	118-264D	15' LH 10 FEEDER CUP CHANNEL	
	118-270D	15' RH 10 FEEDER CUP CHANNEL	
41.	803-088C	NUT HEX LOCK 1/4-20 FLG	
42.	⊕ <b>817-200C</b>	<b>1 1/4 WIDE FEEDER CUP PLUG</b>	
	● ① <b>109-009H</b>	<b>REPLACED BY 817-200C</b>	
43.	118-331D	FEEDER CUP DIVIDER CLIP	
44.	801-057C	SCR SELF TAP 8X3/8 TYPE25 BT	
45.	817-004C	NYLON WASHER	
46.	817-073C	SEED CUP WASHER RETAINER	
47.	817-096C	SEED CUP LEFT HALF	
48.	817-095C	SEED CUP DOOR	
49.	817-097C	SEED CUP RIGHT HALF	
50.	817-071C	SEED CUP ADJUSTMENT HANDLE	

Legend: ● = 1st revision; ⊕ = 2nd revision; ⊕ = 3rd revision; ● = use up existing stock; ⊗ = not interchangeable; ⊕ ① = for example: revision 2 is not interchangeable w/revision 1

V-Bottom Feeder Cup Tray Divider (Option)



11371

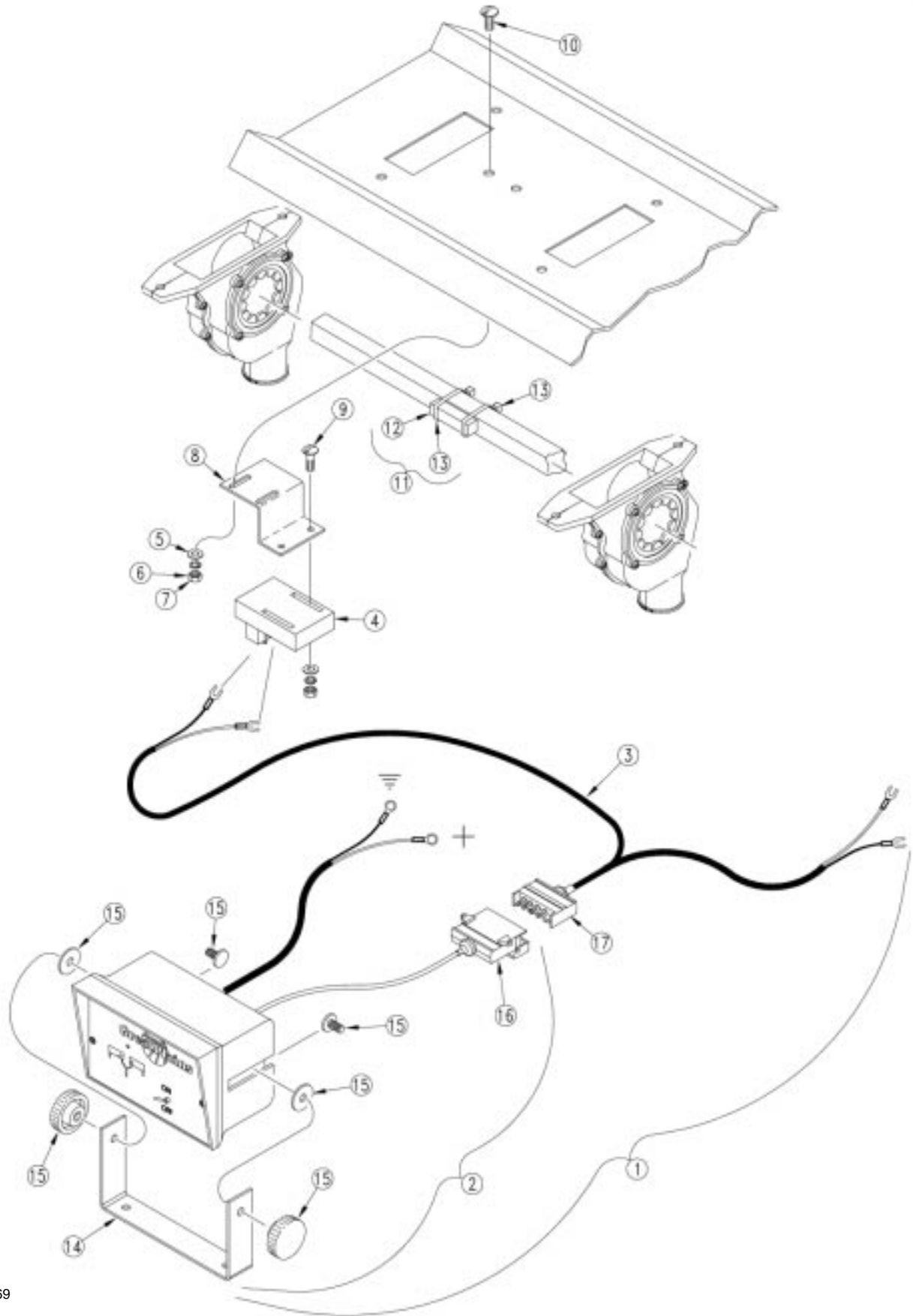


**V-Bottom Feeder Cup Tray Divider (Option)**

Ref.	Part No.	Part Description	Comments
1.	802-004C	HHCS 1/4-20X3/4 GR5	
2.	118-331D	FEEDER CUP DIVIDER CLIP	
3.	118-325D	FEEDER CUP DIVIDER 6' S.S. BOX	
	118-326D	FEEDER CUP DIVIDER 7' S.S. BOX	
	118-327D	FEEDER CUP DIVIDER 7.5 SS BOX	
	118-328D	FEEDER CUP DIVIDER 8 S.S. BOX	
	118-329D	FEEDER CUP DIVIDER 10 S.S. BOX	
4.	803-088C	NUT HEX LOCK 1/4-20 FLG	
	890-179C	SILICON 35YR CLEAR 5.5OZ#22723	Not shown.

**Legend:** ● = 1st revision; ● = 2nd revision; ● = 3rd revision; ● = use up existing stock; ⊗ = not interchangeable; ⊗ ① ● = for example: revision 2 is not interchangeable w/revision 1

**Vansco Shaft Monitor (Option)**



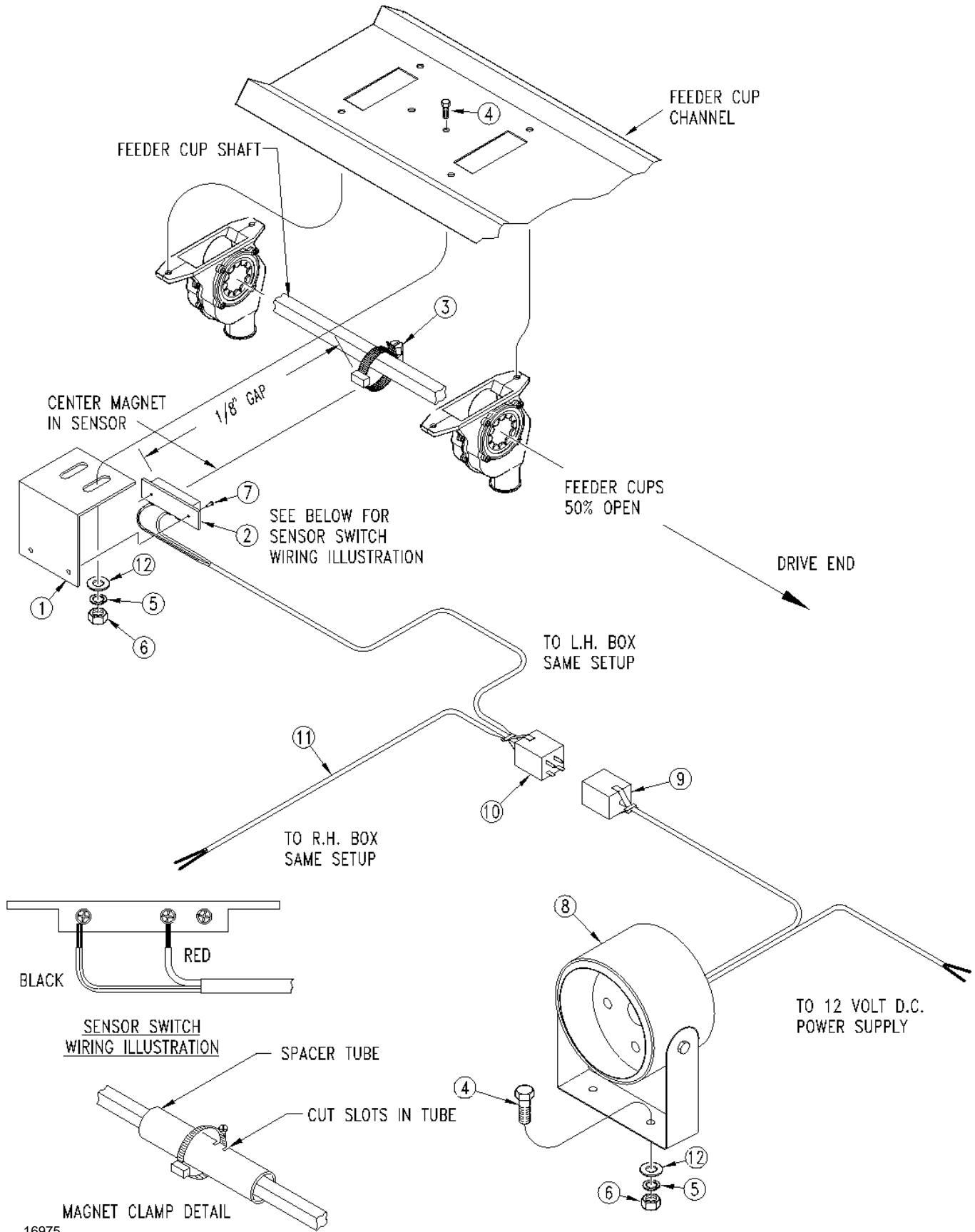
16769

**Vansco Shaft Monitor (Option)**

Ref.	Part No.	Part Description	Comments
1.	823-059C 823-060C 823-076C	VANSCO 2 CHANNEL SHAFT MONITOR VANSCO 3 CHANNEL SHAFT MONITOR VANSCO 2 CHNL SHAFT MNTR-2SNT	
2.	253001 253000	VANSCO CONTROL BOX ASSY 2 CH VANSCO CONTROL BOX ASSY 3CH	
3.	253701 253700	VANSCO HARNESS 2 CH 40FT VANSCO HARNESS 3 CH 60FT	
4.	⊗ VA-080002 ● ① 080002	<b>REED SWITCH PICK-UP REPLACED BY VA-080002</b>	
5.	804-088C	WASHER FLAT #8 SAE PLT	
6.	804-043C	WASHER LOCK #8	
7.	803-064C	NUT HEX 8-32	
8.	⊗ 116-181D ● ① 116-169D	<b>VANSCO SWITCH BRACKET VCO SNSR BRKT REPL BY 116-181D</b>	
9.	801-067C	SCREW RD HD 8-32 X 1 LG PLT	
10.	801-016C	SCREW RD HD 8-32 X 1/2 LG PLT	
11.	⊗ 116-132K ● ① 116-119K	<b>VANSCO MAGNET &amp; CABLE TIE ASSY VMAG &amp; ASSY REPL BY 116-132K</b>	
12.	890-321C	VANSCO MAGNET	
13.	800-112C	CABLE TIE .19X7.25 1.75D 50LB	
14.	VA-VMM253501	MOUNTING BRACKET	Service part for 823-060C.
15.	VA-253307	VANSCO MOUNTING KNOB KIT	Service parts for 823-060C.
16.	VA-JX-B77	BRYLITE CONSOLE END	Service part for 823-060C.
17.	VA-JX-B76	BRYLITE HARNESS END	Service part for 823-060C.

**Legend:** ● = 1st revision; ⊗ = 2nd revision; ⊗ = 3rd revision; ● = use up existing stock; ⊗ = not interchangeable; ⊗ ① = for example: revision 2 is not interchangeable w/revision 1

**Nede Shaft Monitor (Option)**

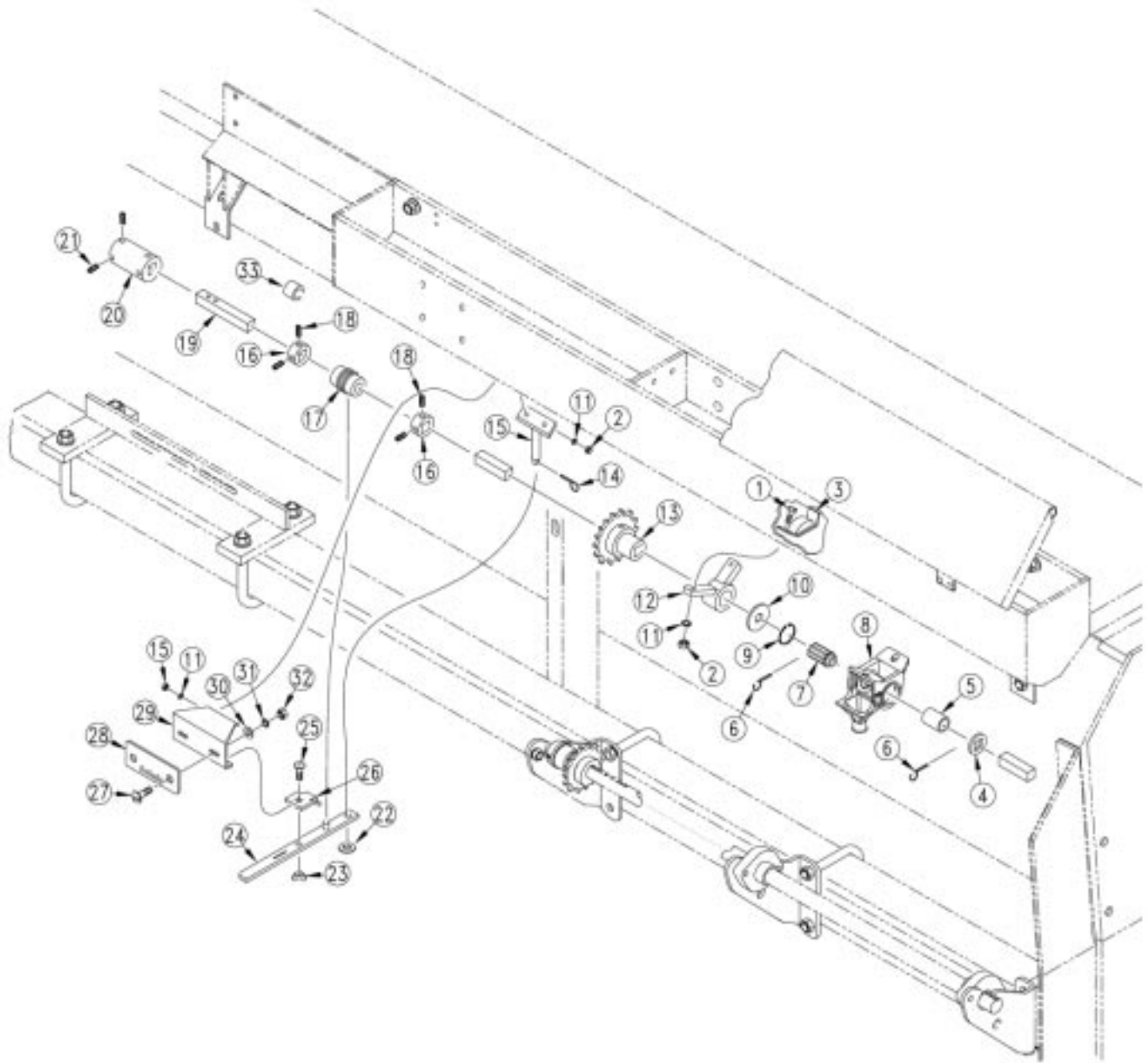


**Nede Shaft Monitor (Option)**

Ref.	Part No.	Part Description	Comments
1.	823-034C	SHAFT MONITOR MOUNTING PLATE	
2.	823-035C	SHAFT MONITOR SENSOR SWITCH	
3.	823-036C	SHAFT MONITOR MAGNET	
4.	802-004C	HHCS 1/4-20X3/4 GR5	
5.	804-006C	WASHER LOCK SPRING 1/4 PLT	
6.	803-006C	NUT HEX 1/4-20 PLT	
7.	800-056C	RIVET POP 3/32 .125 AD32BS	
8.	823-048C	2-CHANNEL CONTROL BOX	
9.	823-047C	4 PIN FEMALE DISCONNECT	
10.	823-046C	4 PIN MALE DISCONNECT	
11.	823-044C	2CH. WIRING HARNESS	
12.	804-075C	WASHER FLAT 1/4 USS PLT	
	823-037C	SHAFT MONITOR HARDWARE BAG	Includes items 1, 4 thru 7 & 12.

**Legend:** ● = 1st revision; ● = 2nd revision; ● = 3rd revision; ● = use up existing stock; ⊗ = not interchangeable; ⊗ ① ● = for example: revision 2 is not interchangeable w/revision 1

*Small Seeds Metering Assembly*



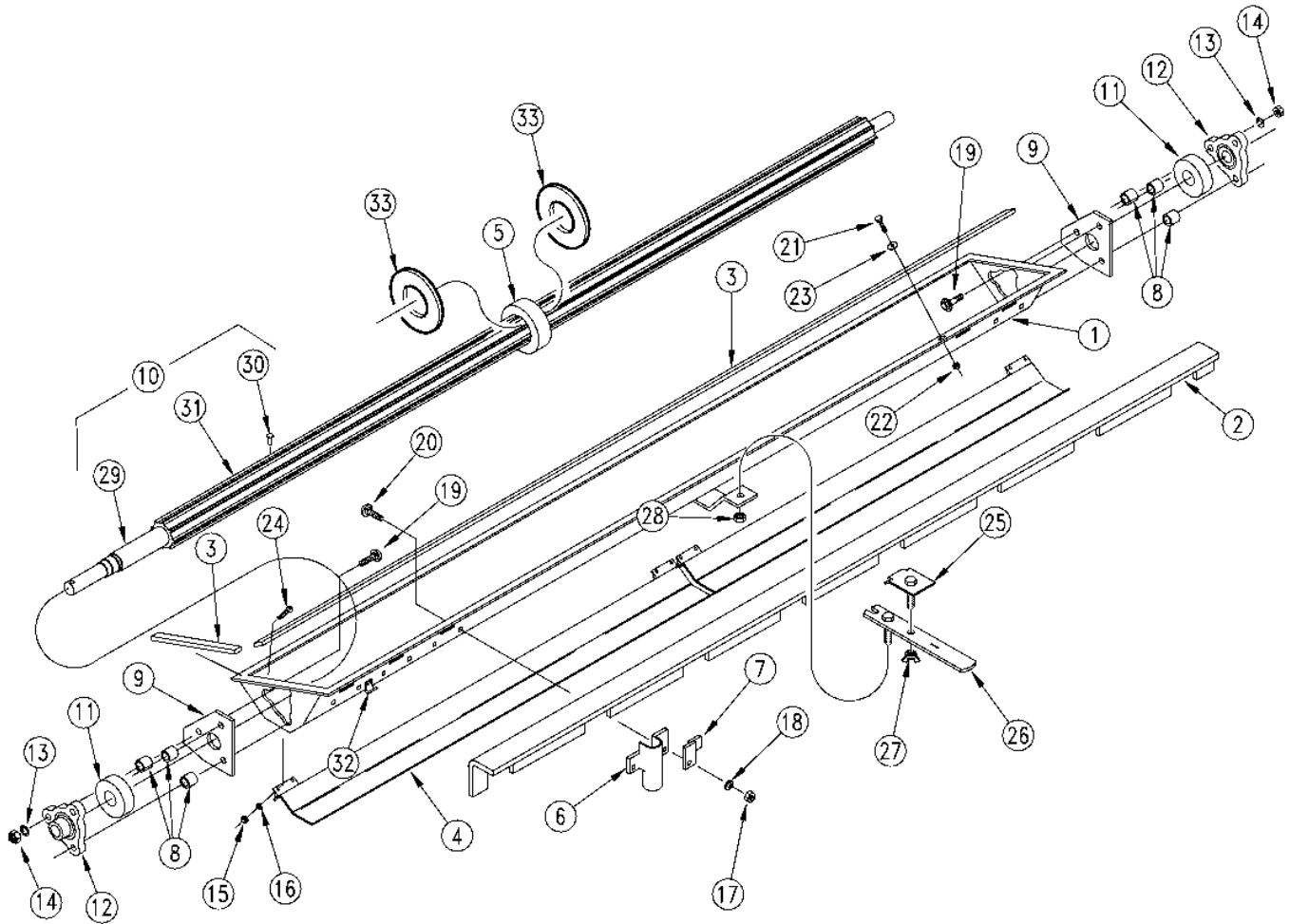
11432

**Small Seeds Metering Assembly**

Ref.	Part No.	Part Description	Comments
1.	802-078C	HHCS 1/4-20X5/8 GR5	
2.	803-006C	NUT HEX 1/4-20 PLT	
3.	123-051D	SEED BOX SPROCKET CAP	
4.	804-042C	WASHER GRASS SEEDER CUP SHAFT	
5.	817-009C	GRASS SEEDER SLEEVE	
6.	805-067C	PIN COTTER 1/8 X 3/4	
7.	817-010C	GRASS SEEDER SPROCKET	
8.	⊗ 817-504C	SML SEED FEEDER CUP ASSY	(2SF24 S/N 3430F+) (2SF30 S/N 3275G+)
	Ⓜ 817-008C	REP BY 817-504C	(2SF24 S/N 3429F-) (2SF30 S/N 3274G-)
9.	800-028C	SNAP RING .875	
10.	804-044C	WASHER MACH 1.38 X .876 X .048	
11.	804-006C	WASHER LOCK SPRING 1/4 PLT	
12.	817-026C	DRIVE SPROCKET HANGER BEARING	
13.	123-053E	DRIVE SPROCKET SEED CUP	
14.	805-019C	PIN COTTER 5/32 X 1 PLT	
15.	123-050H	ADJUSTMENT HANDLE PIVOT	
16.	⊗ 890-349C	3/8 SHAFT LOCKING COLLAR	
	● Ⓜ 123-436D	REPLACED BY 890-349C	
17.	123-116D	SEED ADJUSTMENT SPOOL	
18.	801-035C	SCREW SET 5/16-18 SKT KP X 3/8	
19.	123-207D	6-59 SEED CUP SHAFT	
	123-209D	7-59 SEED CUP SHAFT	
	123-211D	7-1/2 - 59 SEED CUP SHAFT	
	123-213D	10-59 SEED CUP SHAFT	
	123-215D	12-59 SEED CUP SHAFT L.H.	
	123-218D	6-81 SEED CUP SHAFT	
	123-219D	7-81 SEED CUP SHAFT L.H.	
	123-220D	7-81 SEED CUP SHAFT R.H.	
	123-221D	7-1/2 - 81 SEED CUP SHAFT	
	123-222D	8-81 SEED CUP SHAFT	
	123-223D	10-81 SEED CUP SHAFT	
	123-224D	12-81 SEED CUP SHAFT	
20.	123-217D	GRASS SEEDER SHAFT COUPLER	
21.	801-027C	SCR HEX SCKT. 5/16-24 X 5/16	
22.	804-012C	WASHER FLAT 3/8 SAE PLT	
23.	803-058C	NUT WING 5/16-18	
24.	123-051H	ADJUSTMENT HANDLE WELDMENT	
25.	802-092C	RHSNB 5/16-18X3/4 GR5	
26.	123-113D	LOCK TAB	
27.	801-001C	SCREW RD HD 8-32 X 3/8 BRASS	
28.	819-005C	NAME PLATE ADJ GAUGE SHORT	
29.	123-112D	GAUGE MOUNTING BRACKET	
30.	804-003C	WASHER FLAT #8 BRASS	
31.	804-002C	WASHER INTERNAL STAR #8 BRASS	
32.	803-035C	NUT HEX 8-32 BRASS	

**Legend:** Ⓜ = 1st revision; ⊗ = 2nd revision; ⊕ = 3rd revision; ● = use up existing stock; ⊗ = not interchangeable; ⊗ Ⓜ = for example: revision 2 is not interchangeable w/revision 1

2SF24 Fertilizer Tray Assembly



10097

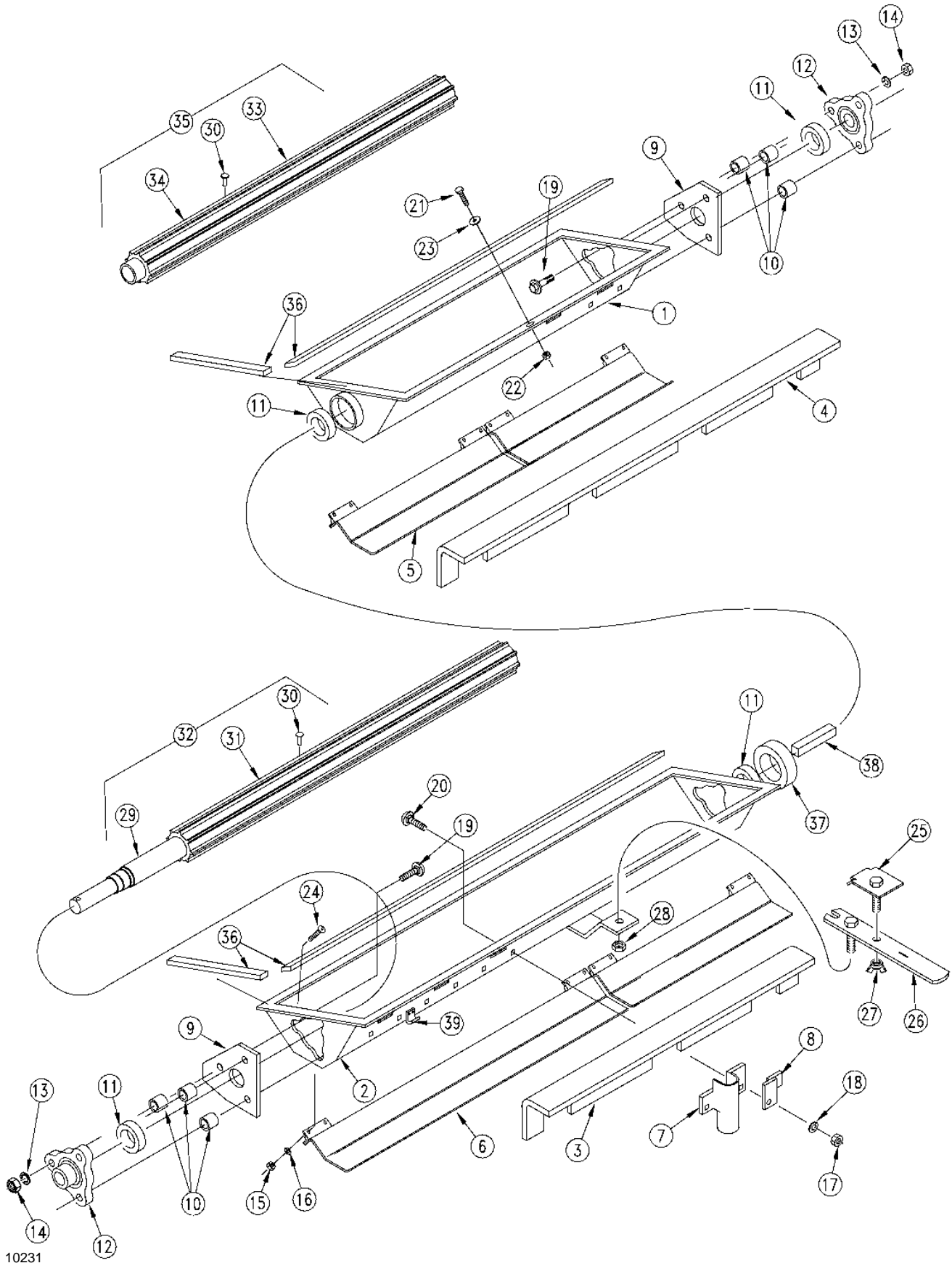


**2SF24 Fertilizer Tray Assembly**

Ref.	Part No.	Part Description	Comments
1.	142-043E	12'-6 FERT. TRAY WELDMENT	
	142-044E	12'-7 FERT. TRAY WELDMENT	
	142-045E	12'-7 1/2 FERT. TRAY WELDMENT	
	142-046E	12'-8 FERT. TRAY WELDMENT	
	142-047E	12'-10 FERT. TRAY WELDMENT	
2.	142-065E	12'-6 SLIDE WELDMENT	
	142-066E	12'-7 SLIDE WELDMENT	
	142-067E	12'- 7 1/2 SLIDE WELDMENT	
	142-068E	12'-8 SLIDE WELDMENT	
	142-069E	12'-10 SLIDE WELDMENT	
3.	990-024R	SEAL 5/16 X 3/4 DOR-TITE TRAY	
4.	142-095E	12' CLEAN-OUT HOLE COVER ASSY.	
5.	142-062D	12' CENTER CARRIER BUSHING	
6.	141-011E	FERT DROP TUBE ASSEMBLY BOX	
7.	141-041E	SLIDE STOP ASSEMBLY	
8.	141-084D	TRAY BEARING SPACER	
9.	141-083D	COVER PLATE TRAY	
10.	142-089K	12' STD. AGITATOR TUBE-COMP.	
	142-090K	12'-7 1/2 AGITATOR TUBE-COMP.	
11.	890-026C	FELT SEAL	
12.	822-012C	BEARING 1 - 3-BOLT FLANGED	
13.	804-009C	WASHER LOCK SPRING 5/16 PLT	
14.	803-008C	NUT HEX 5/16-18 PLT	
15.	803-002C	NUT HEX SS 10-32	
16.	804-032C	WASHER LOCK INTERNAL #10 SS	
17.	803-004C	NUT HEX SS 1/4-20	
18.	804-033C	WASHER LOCK 1/4 SS	
19.	802-013C	HHCS 5/16-18X1 3/4 GR5	
20.	802-089C	RHSNB 1/4-20X3/4 SS	
21.	802-001C	HHCS 1/4-20X3/4 SS	
22.	803-003C	NUT HEX SS 1/4-20 NYLOCK	
23.	804-034C	WASHER FLAT 1/4 SAE SS	
24.	801-010C	SCREW PAN HD 10-32 X 3/8 SS	
25.	109-025H	ADJ LOCK PLATE ASS'Y - 1 1/2 W	
26.	141-013H	ADJUSTMENT ARM ASSEMBLY	
27.	803-016C	NUT WING 1/2-13 PLT	
28.	803-019C	NUT LOCK 1/2-13 PLT	
29.	142-082E	12' AGITATOR TUBE MACHINED	
30.	800-012C	RIVET SS 1/8 DIA	
31.	142-092E	12' STD. FIN ASSEMBLY	
	142-093E	12'-7 1/2 FIN ASSEMBLY-LONG	
	142-094E	12'-7 1/2 FIN ASSEMBLY-SHORT	
32.	800-032C	LATCH STRIKE	
33.	804-048C	WASHER MACH 2.50 X1.75 X .075	

**Legend:** ● = 1st revision; ● = 2nd revision; ● = 3rd revision; ● = use up existing stock; ⊗ = not interchangeable; ⊗ ① ● = for example: revision 2 is not interchangeable w/revision 1

2SF30 Fertilizer Tray Assembly



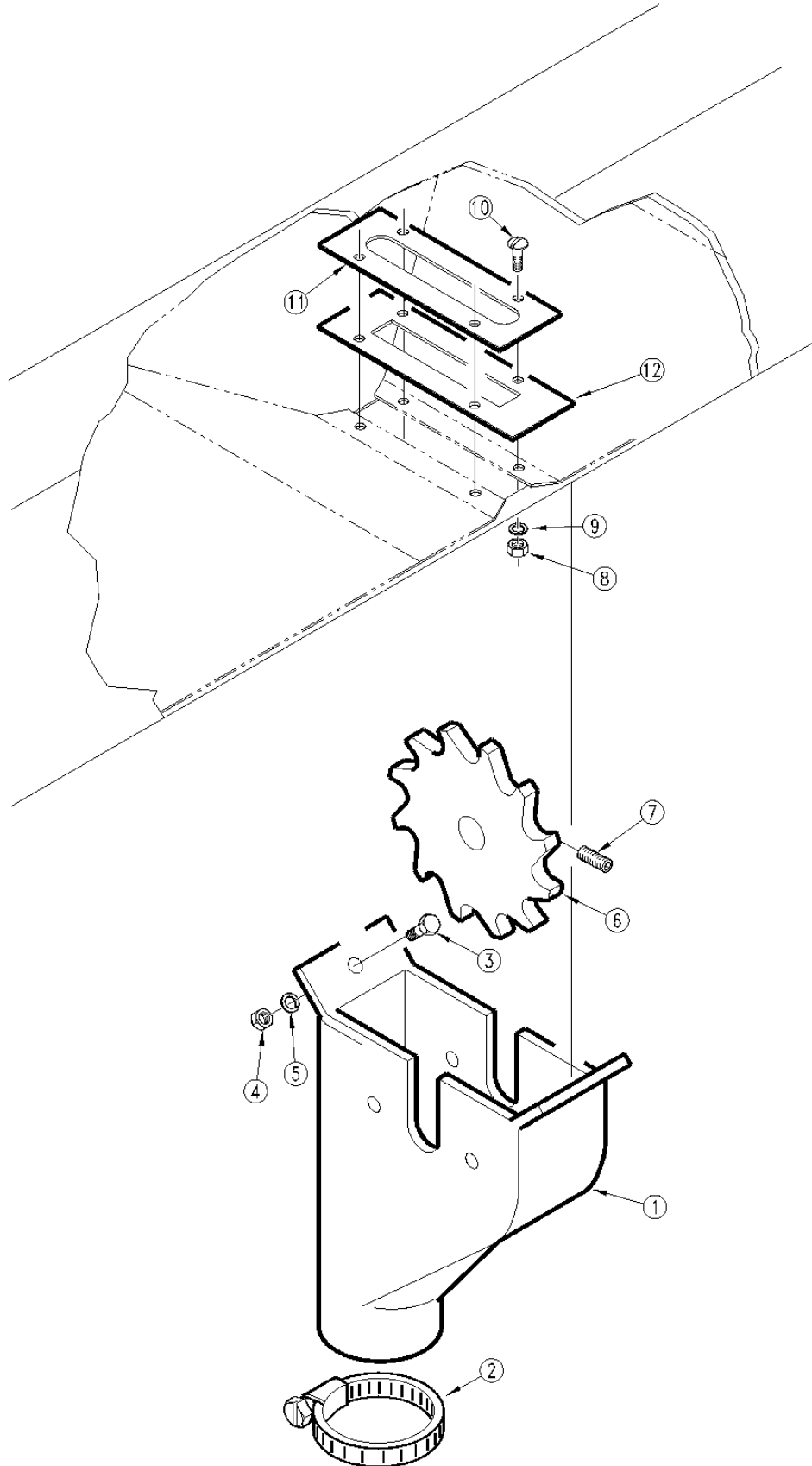
10231

**2SF30 Fertilizer Tray Assembly**

Ref.	Part No.	Part Description	Comments
1.	142-054E	15'-6 FERT. TRAY WELDMENT	
	142-055E	15'-7 FERT. TRAY WELDMENT	
	142-056E	15'-7 1/2 FERT. TRAY WELDMENT	
	142-057E	15'-8 FERT. TRAY WELDMENT	
	142-058E	15'-10 FERT. TRAY WELDMENT	
2.	142-003E	12',14' & 15' FERT TRAY	
	142-084E	14' & 15'-7 FERT. TRAY WELDMENT	
	142-085E	14' & 15'-7 1/2 FERT TRAY WELDMT	
	142-086E	14' & 15'-8 FERT. TRAY WELDMENT	
	142-087E	14' & 15'-10 FERT TRAY WELDMENT	
3.	141-014E	6 SLIDE ASSEMBLY	
	141-016E	7 SLIDE ASSEMBLY	
	142-127E	7 1/2 SLIDE WELDMENT-LONG	
	141-018E	8 SLIDE ASSEMBLY	
	141-020E	10 SLIDE ASSEMBLY	
4.	142-076E	15'-6 SLIDE EXTENSION WELDM'T.	
	142-077E	15'-7 SLIDE EXTENSION WELDM'T.	
	142-078E	15'-7 1/2 SLIDE EXTENSION WELDM'T.	
	142-079E	15'-8 SLIDE EXTENSION WELDM'T.	
	142-080E	15'-10 SLIDE EXTENSION WELDM'T.	
5.	142-096E	15' EXT. CLEAN-OUT HOLE COVER	
6.	141-063E	CLEAN OUT HOLE CVR ASSY6,10,12	
	141-064E	CLEAN OUT HOLE COVER ASSEMBLY	
	141-065E	CLEAN OUT HOLE COVER ASSEMBLY	
7.	141-011E	FERT DROP TUBE ASSEMBLY BOX	
8.	141-041E	SLIDE STOP ASSEMBLY	
9.	141-083D	COVER PLATE TRAY	
10.	141-084D	TRAY BEARING SPACER	
11.	890-026C	FELT SEAL	
12.	822-012C	BEARING 1 - 3-BOLT FLANGED	
13.	804-009C	WASHER LOCK SPRING 5/16 PLT	
14.	803-008C	NUT HEX 5/16-18 PLT	
15.	803-002C	NUT HEX SS 10-32	
16.	804-032C	WASHER LOCK INTERNAL #10 SS	
17.	803-004C	NUT HEX SS 1/4-20	
18.	804-033C	WASHER LOCK 1/4 SS	
19.	802-013C	HHCS 5/16-18X1 3/4 GR5	
20.	802-089C	RHSNB 1/4-20X3/4 SS	
21.	802-001C	HHCS 1/4-20X3/4 SS	
22.	803-003C	NUT HEX SS 1/4-20 NYLOCK	
23.	804-034C	WASHER FLAT 1/4 SAE SS	
24.	801-010C	SCREW PAN HD 10-32 X 3/8 SS	
25.	109-025H	ADJ LOCK PLATE ASS'Y - 1 1/2 W	
26.	141-013H	ADJUSTMENT ARM ASSEMBLY	
27.	803-016C	NUT WING 1/2-13 PLT	
28.	803-019C	NUT LOCK 1/2-13 PLT	
29.	142-005E	LONG AGITATOR TUBE - MACHINED	
	142-126E	14' & 15' AGITATOR TB. NONDRIVE	
30.	800-012C	RIVET SS 1/8 DIA	
31.	145-022S	AGITATOR FIN ASSEMBLY	
32.	142-011K	12',14', & 15' AGITATOR TUBE	
33.	142-083E	15' AGITATOR TUBE EXT.NONDRIVE	
	142-005E	LONG AGITATOR TUBE - MACHINED	
34.	142-161S	15' FIN ASSEMBLY	
35.	142-091K	15' AGITATOR TUBE EXT.NONDRIVE	
	142-011K	12',14', & 15' AGITATOR TUBE	
36.	990-024R	SEAL 5/16 X 3/4 DOR-TITE TRAY	
37.	142-029D	CENTER DRIVE BUSHING	
38.	142-022D	CENTER CONNECTOR SHAFT	
39.	800-032C	LATCH STRIKE	

**Legend:** ● = 1st revision; ● = 2nd revision; ● = 3rd revision; ● = use up existing stock; ⊗ = not interchangeable; ⊗ ⊕ ● = for example: revision 2 is not interchangeable w/revision 1

*Native Grass Feed Cup Assembly*



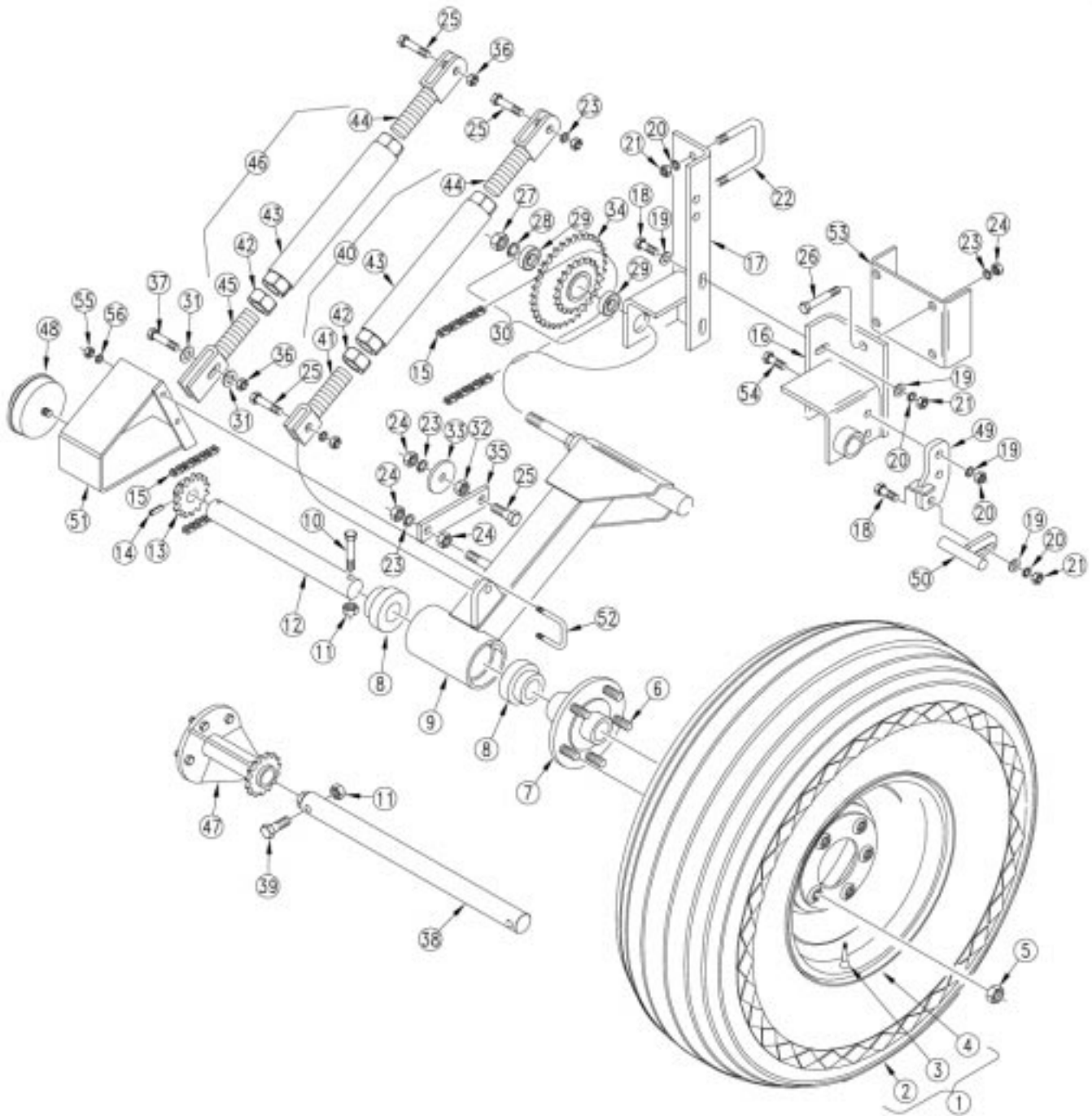
11385

**Native Grass Feed Cup Assembly**

Ref.	Part No.	Part Description	Comments
1.	812-054C	CASTING GRASS SEED FEEDER CUP	
2.	800-067C	CLAMP BAND 2 1/2	
3.	802-004C	HHCS 1/4-20X3/4 GR5	
4.	803-006C	NUT HEX 1/4-20 PLT	
5.	804-052C	WASHER LOCK 1/4 EXTERNAL TOOTH	
6.	202-007D	GRASS METER SPROCKET	
7.	801-023C	SCREW SET SH 3/8-16X3/8 TYPE C	
8.	803-001C	NUT HEX 10-24 PLT	
9.	804-004C	WASHER INTERNAL STAR #10 PLT	
10.	801-003C	SCREW RD HD SLT 10-24X1/2 PLT	
11.	202-055D	GRASS SEED METER WHEEL COVER	
12.	816-051C	GASKET GRASS SEED METER WHEEL	

**Legend:** ● = 1st revision; ● = 2nd revision; ● = 3rd revision; ● = use up existing stock; ⊗ = not interchangeable; ⊗ ① ● = for example: revision 2 is not interchangeable w/revision 1

**Gauge Wheel Drive**



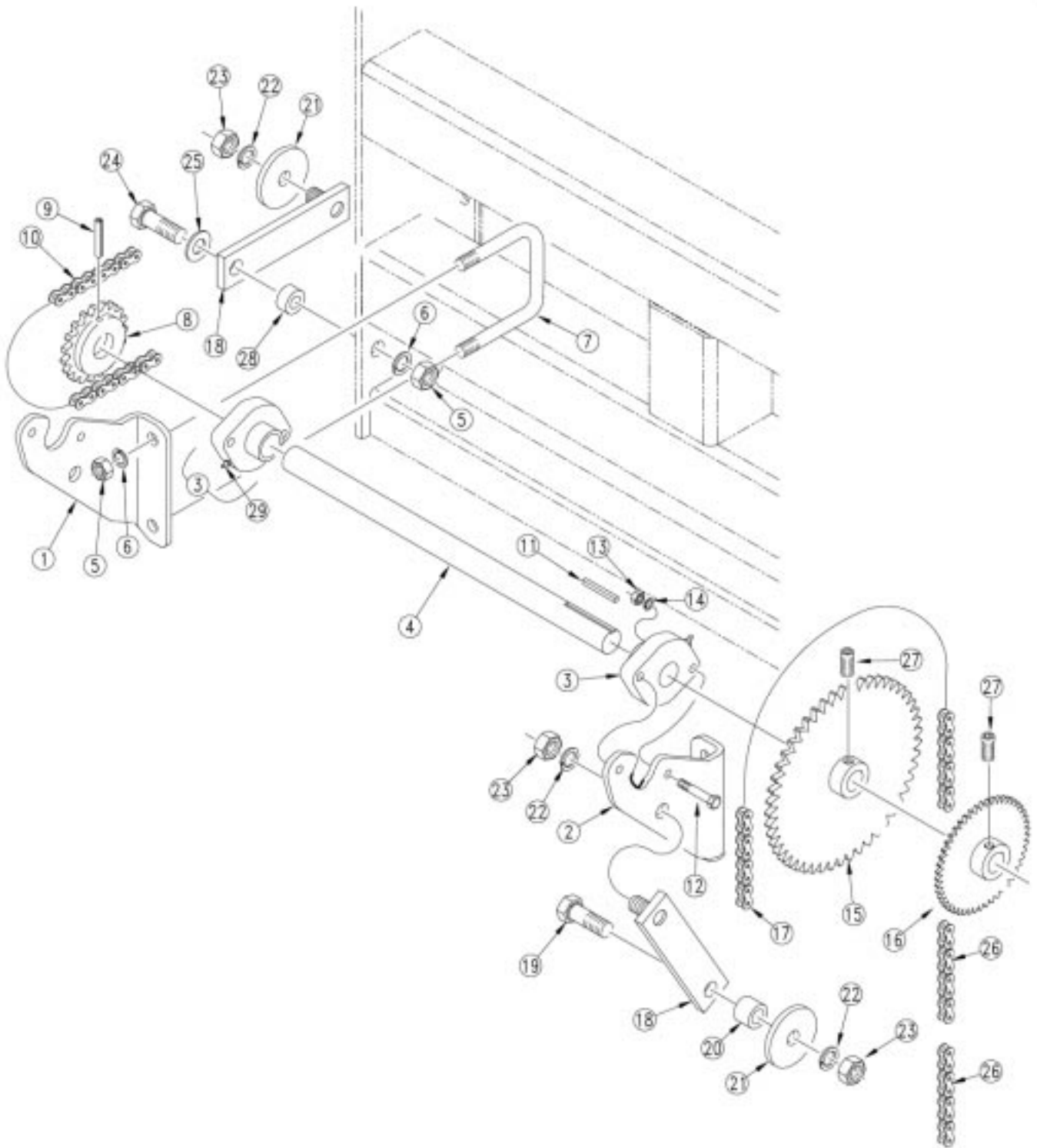
10208

**Gauge Wheel Drive**

Ref.	Part No.	Part Description	Comments	
1.	109-058K	GAUGE WHEEL & TIRE - TUBELESS	Includes items 2, 3 & 4	
2.	814-026C	TIRE 9.5L X 15 6 PLY RIB IMP		
3.	816-035C	VALVE STEM TR415X.625X1 1/4 LG		
4.	814-005C	WHEEL 6 X 15 X 5 BOLT		
5.	803-017C	NUT LUG 1/2-20X90DEG PLT 13/16		
6.	802-135C	HUB STUD 1/2-20X1 5/8 GR5		
7.	200-012S	GAUGE WHEEL AXLE HUB W/STUDS		
8.	822-028C	BEARING GAUGE WHEEL		
9.	120-069H	LH GA WHL HANGER DRIVE END		Shown
	120-070H	RH DRIVE GA WHL HANGER		
10.	802-039C	HHCS 1/2-13X3 GR5		
11.	802-019C	RHSSNB 5/16-18X10 1/2 GR5		
12.	120-124H	AXLE SHAFT WELDMENT		
13.	808-002C	SPKT 15 TEETH X 1 1/2 BORE		
14.	805-029C	PIN ROLL 5/16 X 2 1/4 PLT		
15.	⊗ <b>136-001D</b>	<b>CHAIN RL 20-50A 37 PITCHES</b>		
	● <b>809-001C</b>	<b>REPLACED BY 136-001D</b>		
16.	120-043H	PIVOT MOUNT SHORT LH	Shown	
	120-044H	PIVOT MOUNT SHORT RH		
17.	120-041H	PIVOT MOUNT LONG LH	Shown	
	120-042H	PIVOT MOUNT LONG RH		
18.	802-082C	HHCS 1/2-13X1 3/4 GR5		
19.	804-016C	WASHER FLAT 1/2 SAE PLT		
20.	804-015C	WASHER LOCK SPRING 1/2 PLT		
21.	803-020C	NUT HEX 1/2-13 PLT		
22.	806-002C	U-BOLT 1/2-13 X 3 17/32 X4 1/2		
23.	804-022C	WASHER LOCK SPRING 5/8 PLT		
24.	803-021C	NUT HEX 5/8-11 PLT		
25.	802-055C	HHCS 5/8-11X2 GR5		
26.	802-062C	HHCS 5/8-11X5 GR5		
27.	803-027C	NUT HEX 3/4-10 PLT		
28.	804-023C	WASHER LOCK SPRING 3/4 PLT		
29.	822-043C	BEARING SPEEDCHANGE 3/4 I.D.		
30.	120-145S	SPEEDCHANGE HUB 3/4 I.D.		
31.	804-021C	WASHER FLAT 5/8 SAE PLT		
32.	803-023C	NUT HEX JAM 5/8-11 PLT		
33.	109-064D	IDLER DISC		
34.	109-055E	SPEED CHANGE WELDMENT		
35.	120-035D	IDLER ARM BAR		
36.	803-148C	NUT HEX NYLOCK 5/8-11 PLT		
37.	802-057C	HHCS 5/8-11X2 1/4 GR5		
38.	120-126H	3-PT DUAL GA WHL AXLE SHAFT		
39.	802-226C	HHCS 1/2-13X2 3/4 GR5		
40.	120-065S	GW ADJ LINK ASSEMBLY	Not available.	
41.	120-002E	LOWER GAUGE WHEEL CLEVIS	Includes items 41 thru 44.	
42.	803-032C	NUT HEX JAM 1 1/4-7 PLT		
43.	120-003E	GAUGE WHEEL ADJ LINK		
44.	120-001E	UPPER GAUGE WHEEL CLEVIS		
45.	120-170H	LOWER GW CLEVIS WELDMENT	Includes items 41 thru 44.	
46.	120-190S	G.W. ADJ LINK ASSY		
47.	120-080H	DUAL GW HUB WELDMENT	Includes items 41 thru 44.	
48.	890-002C	ACRE METER 24'		
	890-012C	ACRE METER 30'		
49.	120-177H	GW DRIVE BRAKE MOUNT WELDMENT	Includes items 41 thru 44.	
50.	120-178H	GW DRIVE BRAKE WELDMENT		
51.	202-327H	LOWER GUARD WELDMENT-LH	Shown	
	202-326H	LOWER GUARD WELDMENT-RH		
52.	806-021C	U-BOLT 3/8-16 X 3 1/32 X 4		
53.	120-053D	MOUNT CHANNEL		
54.	802-091C	HHCS 1/2-13X1 1/2 GR5		
55.	803-014C	NUT HEX 3/8-16 PLT		
56.	804-013C	WASHER LOCK SPRING 3/8 PLT		

**Legend:** ● = 1st revision; ⊗ = 2nd revision; ⊕ = 3rd revision; ● = use up existing stock; ⊗ = not interchangeable; ⊗ ⊕ = for example: revision 2 is not interchangeable w/revision 1

Jack Shaft Drive



10997

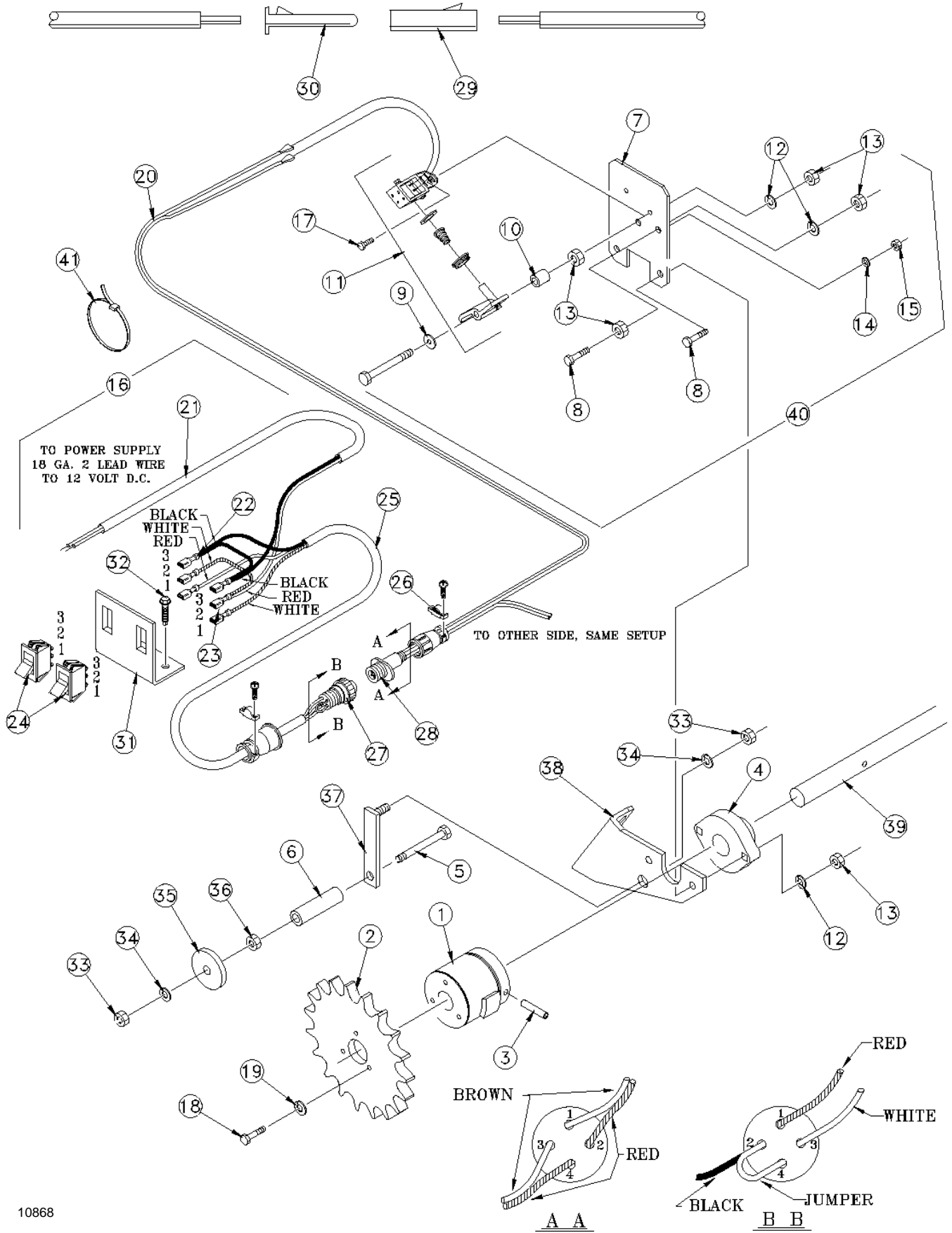


**Jack Shaft Drive**

Ref.	Part No.	Part Description	Comments
1.	120-159D	JACKSHAFT BEARING BRACKET RH	
2.	120-160D	JACKSHAFT BEARING BRACKET LH	
3.	822-007C	BEARING JACK SHAFT	
4.	120-011D	13' JACKSHAFT	
5.	803-020C	NUT HEX 1/2-13 PLT	
6.	804-015C	WASHER LOCK SPRING 1/2 PLT	
7.	806-002C	U-BOLT 1/2-13 X 3 17/32 X4 1/2	
8.	808-004C	SPKT 50B15 X 1 BORE	
	808-116C	SPKT 20-TOOTH #50 X 1 BORE	
9.	805-029C	PIN ROLL 5/16 X 2 1/4 PLT	
10.	⊗ <b>136-003D</b>	<b>CHAIN RL 20-50A 50 PITCHES</b>	
	● <b>809-005C</b>	<b>REPLACED BY 136-003D</b>	
11.	109-031D	JACK SHAFT - KEY	
12.	802-012C	HHCS 5/16-18X1 1/2 GR5	
13.	803-008C	NUT HEX 5/16-18 PLT	
14.	804-009C	WASHER LOCK SPRING 5/16 PLT	
15.	808-003C	SPKT 50B39 X 1 BORE	
16.	808-006C	SPKT 50B19 X 1 BORE	
17.	⊗ <b>136-084D</b>	<b>CHAIN RL #20-50A 45 PITCHES</b>	
	● <b>809-105C</b>	<b>OBSOLETE REPLACED BY 136-084D</b>	
18.	120-020H	CHAIN TIGHTENER JS-FEEDER CUP	
19.	802-055C	HHCS 5/8-11X2 GR5	
20.	120-176D	IDLER SPACER TUBE	
21.	109-064D	IDLER DISC	
22.	804-022C	WASHER LOCK SPRING 5/8 PLT	
23.	803-021C	NUT HEX 5/8-11 PLT	
24.	802-091C	HHCS 1/2-13X1 1/2 GR5	
25.	804-016C	WASHER FLAT 1/2 SAE PLT	
26.	⊗ <b>136-142D</b>	<b>CHAIN RL #2050A 4 PITCHES</b>	
	● <b>809-012C</b>	<b>OBSOLETE REPLACED BY 136-142D</b>	
27.	801-035C	SCREW SET 5/16-18 SKT KP X 3/8	
28.	152-055D	IDLER BAR SPACER	
29.	800-001C	GREASE ZERK STRAIGHT 1/4-28	

**Legend:** ● = 1st revision; ⊗ = 2nd revision; ⊗ = 3rd revision; ● = use up existing stock; ⊗ = not interchangeable; ⊗ ⊗ = for example: revision 2 is not interchangeable w/revision 1

*Electric Clutch Assembly (Option)*



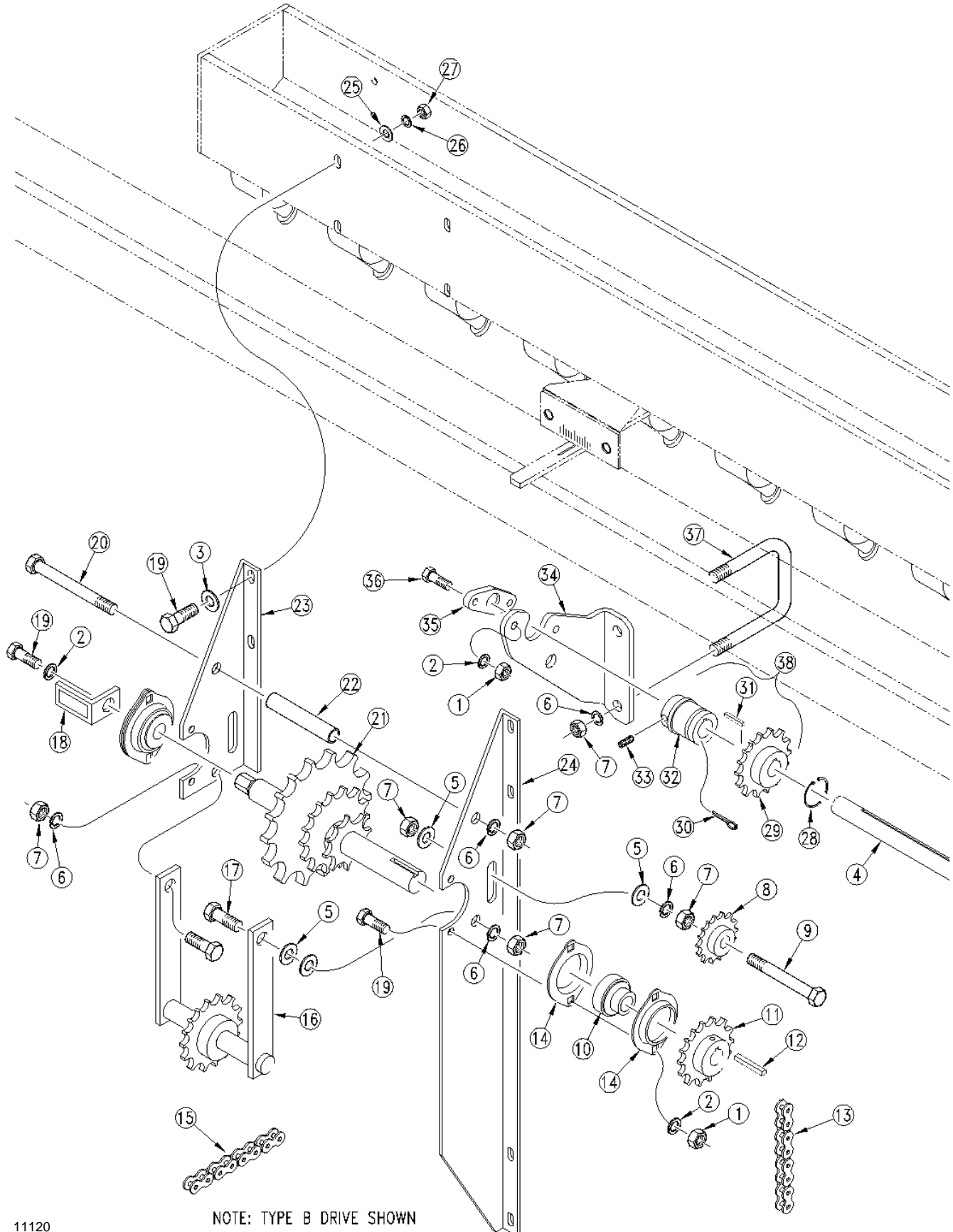
10868

**Electric Clutch Assembly (Option)**

Ref.	Part No.	Part Description	Comments
<b>NOTE: This option is no longer available. Service parts can be ordered.</b>			
1.	176-025S	CLUTCH CW	
	176-026S	CLUTCH CCW	
2.	172-018D	45' 3-SEC 39T CLUTCH SPROCKET	
	172-019D	11' 3-SEC 19T CLUTCH SPROCKET	
3.	805-062C	PIN ROLL 3/16 X 2 1/2 LG. PTL.	
4.	822-007C	BEARING JACK SHAFT	
5.	802-091C	HHCS 1/2-13X1 1/2 GR5	
6.	132-084D	INNER PIVOT BUSHING	
7.	116-052D	SOLENOID MOUNTING PLATE	
8.	802-115C	HHCS 5/16-18X2 GR5	
9.	804-036C	WASHER FLAT 5/16 SAE PLT	
10.	116-053D	CLUTCH PIVOT BUSHING	
11.	823-022C	COIL & ACTUATOR ASS'Y. CW	
	823-023C	COIL & ACTUATOR ASS'Y. CCW	
12.	804-009C	WASHER LOCK SPRING 5/16 PLT	
13.	803-008C	NUT HEX 5/16-18 PLT	
14.	804-054C	WASHER LOCK #10	
15.	803-001C	NUT HEX 10-24 PLT	
16.	823-021C	CLUTCH WIRING HARNESS	
17.	802-163C	HHCS #10-24X1/2 GR5	
18.	802-004C	HHCS 1/4-20X3/4 GR5	
19.	804-006C	WASHER LOCK SPRING 1/4 PLT	
20.	325-0014-001	2 LEAD 18 GA WIRE	
21.	309-1882-P00	BRN 2 LEAD 18 GA WIRE	
22.	122-2560-000	BRN FE DISCONT 1/4 (2WIRES)	
23.	122-2564-000	BRN FE DISCONT 1/4 (1WIRE)	
24.	110-0109-001	ILLUMINATED ROCKER SWITCH	
25.	309-1883-P00	BRN 3 LEAD 18 GA WIRE	
26.	112-2510-001	AMP CONNECTOR CLAMP	
27.	112-2511-001	FEMALE 4 PRONG AMP CONNECTOR	
28.	112-2528-001	MALE 4 PRONG AMP CONNECTOR	
29.	112-2274-001	FEMALE SOCKET FOR AMP	
30.	112-2275-001	MALE PIN FOR AMP	
31.	116-054D	CLUTCH SWITCH MOUNTING PLATE	
32.	801-002C	SCREW HEX SLT10-16X3/8P.THD CT	
33.	803-021C	NUT HEX 5/8-11 PLT	
34.	804-022C	WASHER LOCK SPRING 5/8 PLT	
35.	109-064D	IDLER DISC	
36.	803-036C	NUT HEX JAM 1/2-13 PLT	
37.	120-020H	CHAIN TIGHTENER JS-FEEDER CUP	
38.	120-159D	JACKSHAFT BEARING BRACKET RH	
39.	120-011D	13' JACKSHAFT	
	120-030D	20' JACKSHAFT	
	120-167D	63 INCH JACKSHAFT	
	172-074D	WING JACKSHAFT	
40.	116-031K	CW CLUTCH & COIL ASSEMBLY	
	116-030K	CCW CLUTCH & COIL ASSEMBLY	
41.	800-082C	CABLE TIE .31X21.5 6DIA 120LB	

**Legend:** ● = 1st revision; ● = 2nd revision; ● = 3rd revision; ● = use up existing stock; ⊗ = not interchangeable; ⊗ ① ● = for example: revision 2 is not interchangeable w/revision 1

Small Seeds Drive



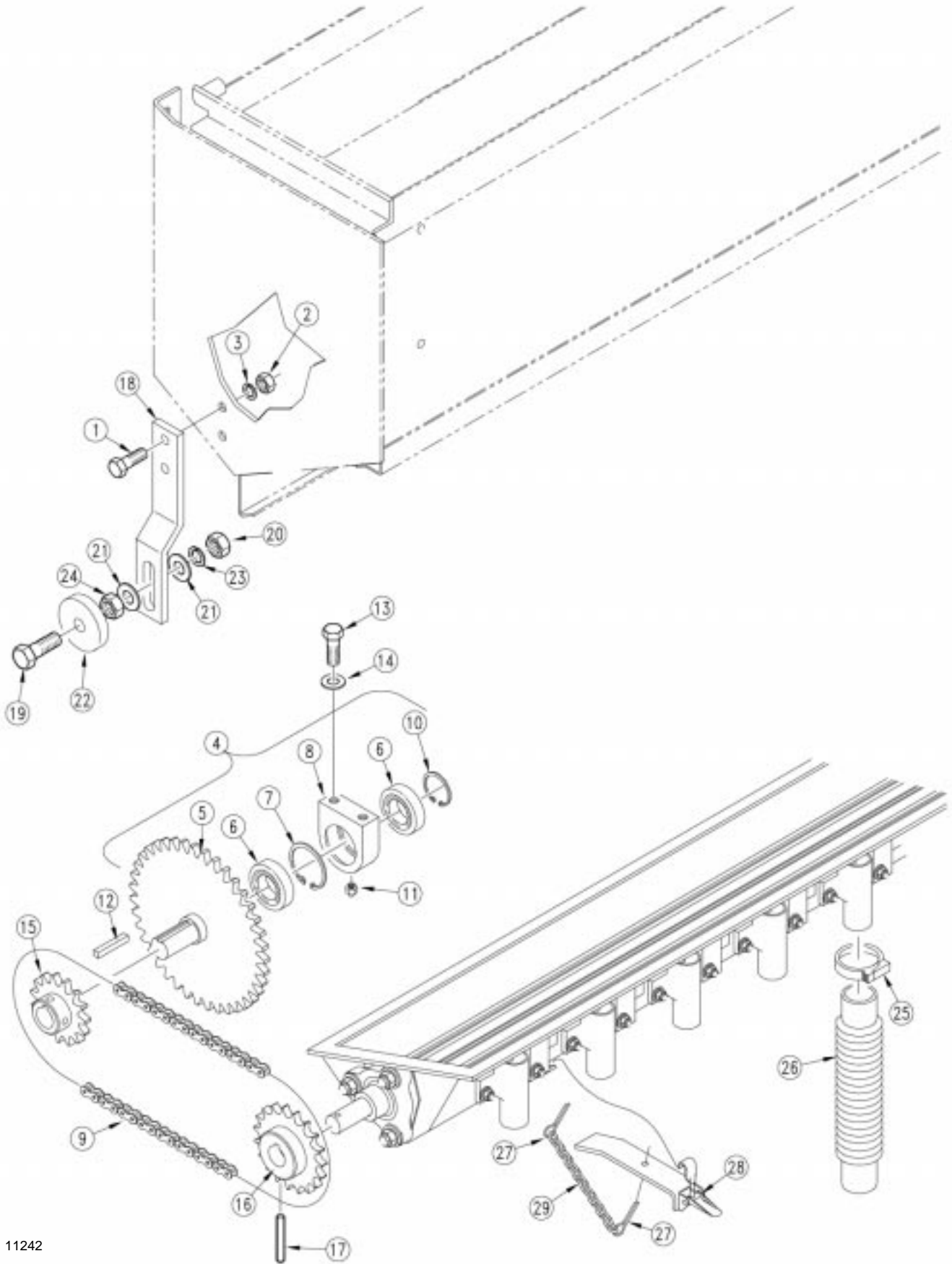
11120

**Small Seeds Drive**

Ref.	Part No.	Part Description	Comments
1.	803-008C	NUT HEX 5/16-18 PLT	
2.	804-009C	WASHER LOCK SPRING 5/16 PLT	
3.	804-010C	WASHER FLAT 5/16 USS PLT	
4.	123-052D	GRASS SEEDER JACKSHAFT 3-POINT	
5.	804-016C	WASHER FLAT 1/2 SAE PLT	
6.	804-015C	WASHER LOCK SPRING 1/2 PLT	
7.	803-036C	NUT HEX JAM 1/2-13 PLT	
8.	817-025C	NO. 40 12T IDLER SPKT.	
9.	802-226C	HHCS 1/2-13X2 3/4 GR5	
10.	822-040C	BEARING 3/4BORE 47MM SPHERE OD	
11.	808-027C	SPKT 40B10 X 3/4 BORE	
12.	⊗ 800-296C	KEY 3/16 X 7/8	
	● ① 123-146D	REPLACED BY 800-296C	
13.	⊗ 136-011D	CHAIN RL #40 36 PITCHES	
	● ① 809-020C	REPLACED BY 136-011D	
14.	822-041C	FLANGETTE 47 MST	
15.	⊗ 136-013D	CHAIN RL #40 76 PITCHES	
	● ⊗ 136-002S	OBSOLETE REPLACED BY 136-013D	
	● ① 809-022C	REPLACED BY 136-002S	
16.	123-294H	CHAIN IDLER BRACKET	
17.	802-034C	HHCS 1/2-13X1 1/4 GR5	
18.	123-294D	GRASS SEEDER DRIVE INDICATOR	
19.	802-007C	HHCS 5/16-18X3/4 GR5	
20.	802-046C	HHCS 1/2-13X5 1/2 GR5	
21.	123-284H	GRASS SEED DRIVE CHANGE SHAFT	
22.	123-293D	DRIVE BRACKET SPACER TUBE	
23.	123-264D	DRIVE MOUNT BRACE TYPE B	
	123-265D	DRIVE MOUNT BRACE TYPE A	
24.	123-270D	2 SECTION TYPE A DRIVE BRACE	
	123-271D	2 SECTION TYPE B DRIVE BRACE	
25.	804-010C	WASHER FLAT 5/16 USS PLT	
26.	804-009C	WASHER LOCK SPRING 5/16 PLT	
27.	803-008C	NUT HEX 5/16-18 PLT	
28.	800-044C	SNAP RING EXT 1 1/2 SHAFT	
29.	123-285H	DRIVE SPROCKET ASSEMBLY	
30.	805-078C	PIN COTTER 3/32 X 2 PLT	
31.	123-004D	KEY 1/4 X 1	
32.	123-288D	SHEAR SPROCKET HUB	
33.	801-019C	SCREW SET SH 1/4-20 X 1/4 LG.	
34.	120-159D	JACKSHAFT BEARING BRACKET RH	
35.	822-007C	BEARING JACK SHAFT	
36.	802-012C	HHCS 5/16-18X1 1/2 GR5	
37.	806-002C	U-BOLT 1/2-13 X 3 17/32 X4 1/2	
38.	123-308S	SHEAR SPROCKET ASSEMBLY	Includes items 28, 29, 30, 32 and 33.

**Legend:** ● = 1st revision; ⊗ = 2nd revision; ⊗ = 3rd revision; ● = use up existing stock; ⊗ = not interchangeable; ⊗ ① ● = for example: revision 2 is not interchangeable w/revision 1

Fertilizer Drive



11242

**Fertilizer Drive**

Ref.	Part No.	Part Description	Comments
1.	802-079C	HHCS 3/8-16X1 1/4 GR5	
2.	803-014C	NUT HEX 3/8-16 PLT	
3.	804-013C	WASHER LOCK SPRING 3/8 PLT	
4.	145-016S	FERT 39T SPRKT HUB & BRG ASSY	
5.	145-006E	SEED/FERT ADAPTOR HUB	
6.	822-006C	BEARING 206	
7.	800-005C	RING FC HOUSING	
8.	109-039D	FEEDER CUP BRG HOUSING	
9.	⊗ 136-001D	<b>CHAIN RL 20-50A 37 PITCHES</b>	
	● ① 809-001C	<b>REPLACED BY 136-001D</b>	
10.	800-004C	SNAP RING EXT BASIC 1.880	
11.	800-001C	GREASE ZERK STRAIGHT 1/4-28	
12.	109-031D	JACK SHAFT - KEY	
13.	802-032C	HHCS 1/2-13X3/4 GR5	
14.	804-015C	WASHER LOCK SPRING 1/2 PLT	
15.	808-008C	SPKT 50B15 X 1 BORE	
16.	808-007C	SPKT 50B26 X 1 BORE	
	808-122C	SPKT 50B22 X 1 BORE	
17.	805-029C	PIN ROLL 5/16 X 2 1/4 PLT	
18.	142-125D	OFFSET IDLER SUPPORT 12' & 15'	
	142-126D	OFFSET IDLER SUPPORT 14' & 20'	
19.	802-055C	HHCS 5/8-11X2 GR5	
20.	803-021C	NUT HEX 5/8-11 PLT	
21.	804-021C	WASHER FLAT 5/8 SAE PLT	
22.	109-064D	IDLER DISC	
23.	804-022C	WASHER LOCK SPRING 5/8 PLT	
24.	803-023C	NUT HEX JAM 5/8-11 PLT	
25.	800-016C	UPPER FERT HOSE CLAMP RATCHET	
26.	816-055C	END WHEEL SEED HOSE	
27.	805-019C	PIN COTTER 5/32 X 1 PLT	
28.	141-116H	FERTILIZER LATCH WELDMENT	
29.	142-009D	COVER HANDLE CHAIN	

**Legend:** ● = 1st revision; ⊗ = 2nd revision; ⊗ = 3rd revision; ● = use up existing stock; ⊗ = not interchangeable; ⊗ ① ⊗ = for example: revision 2 is not interchangeable w/revision 1



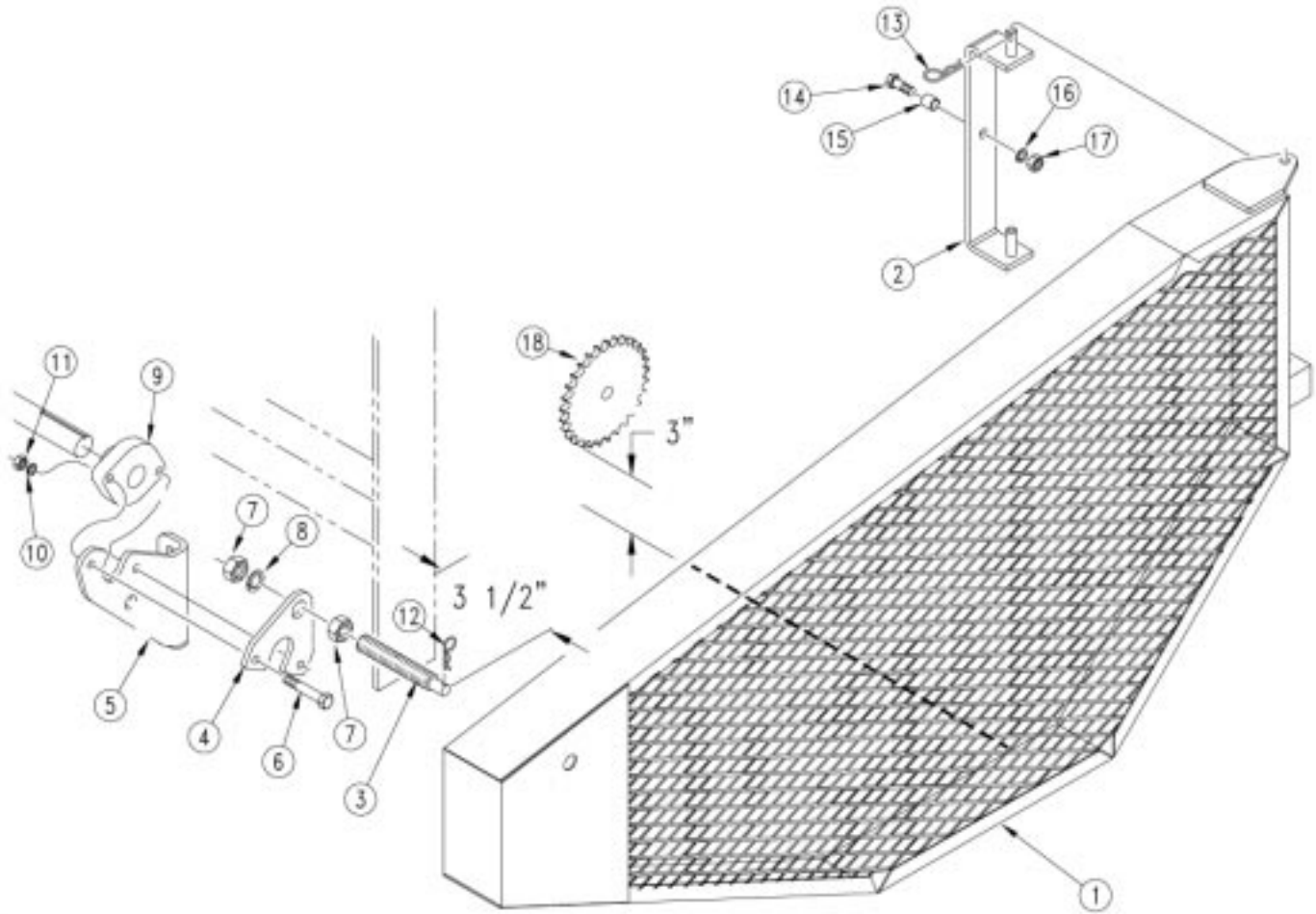


**Native Grass Drive**

Ref.	Part No.	Part Description	Comments
1.	803-006C	NUT HEX 1/4-20 PLT	
2.	822-057C	BEARING PILLOW BLK PB 3/4W/HSG	
3.	202-026D	CUP BEARING SUPPORT	
4.	802-167C	HHCS 1/4-20X1 1/2 GR5	
5.	804-006C	WASHER LOCK SPRING 1/4 PLT	
6.	804-011C	WASHER FLAT 3/8 USS PLT	
7.	802-007C	HHCS 5/16-18X3/4 GR5	
8.	804-010C	WASHER FLAT 5/16 USS PLT	
9.	804-009C	WASHER LOCK SPRING 5/16 PLT	
10.	803-008C	NUT HEX 5/16-18 PLT	
11.	202-261H	DOUBLE IDLER ARM WELDMENT	
12.	202-260H	IDLER ARM MOUNT WELDMENT	
13.	817-025C	NO. 40 12T IDLER SPKT.	
14.	804-016C	WASHER FLAT 1/2 SAE PLT	
15.	805-064C	PIN COTTER 7/64 X 1 LONG	
16.	817-028C	DOUBLE DISK ARM PIVOT BUSHINGS	
17.	804-021C	WASHER FLAT 5/8 SAE PLT	
18.	802-023C	HHCS 3/8-16X1 3/4 GR5	
19.	804-013C	WASHER LOCK SPRING 3/8 PLT	
20.	202-121H	AGITATOR WELDMENT 6	
	202-123H	AGITATOR WELDMENT OFFSET LH	
	202-125H	AGITATOR WELDMENT UNEQUAL LH	
21.	802-143C	HHCS 3/8-16X2 GR5	
22.	123-204D	GRASS SEEDER BOX MT. SPACER	
23.	804-013C	WASHER LOCK SPRING 3/8 PLT	
24.	803-014C	NUT HEX 3/8-16 PLT	
25.	202-034D	12' SHAFT - GRASS	
	202-035D	15' SHAFT - GRASS	
26.	202-001H	15T SPEED CHANGE SPROCKET	
	202-002H	19T SPEED CHANGE SPROCKET	
	202-004H	30T SPEED CHANGE SPROCKET	
	202-005H	35T SPEED CHANGE SPROCKET	
27.	805-126C	PIN LYNCH 1/4 X 1 3/4 PLT	
28.	802-010C	HHCS 5/16-18X1 1/4 GR5	
29.	822-071C	BEARING CAST 3/4 - 2 BOLT	
30.	202-119H	AGITATOR WELDMENT 10 & 12	
	202-120H	AGITATOR WELDMENT 7,7 1/2 & 8	
	202-121H	AGITATOR WELDMENT 6	
31.	202-121H	AGITATOR WELDMENT 6	
	202-122H	AGITATOR WELDMENT OFFSET RH	
	202-124H	AGITATOR WELDMENT UNEQUAL RH	
32.	⊕ 136-055D	<b>CHAIN RL #40 119 PITCHES</b>	
	● ① 809-059C	<b>OBSOLETE REPLACED BY 136-055D</b>	
33.	202-009H	GRASS SEEDER DRIVE HUB	
34.	822-006C	BEARING 206	
35.	800-005C	RING FC HOUSING	
36.	109-039D	FEEDER CUP BRG HOUSING	
37.	804-015C	WASHER LOCK SPRING 1/2 PLT	
38.	802-032C	HHCS 1/2-13X3/4 GR5	
39.	800-004C	SNAP RING EXT BASIC 1.880	
40.	800-001C	GREASE ZERK STRAIGHT 1/4-28	
41.	202-092S	GRASS 39T SPROCKET HUB & BRG	
42.	822-041C	FLANGETTE 47 MST	
43.	822-040C	BEARING 3/4BORE 47MM SPHERE OD	
44.	802-007C	HHCS 5/16-18X3/4 GR5	
45.	801-036C	SCREW SET SQ HD 3/8-16 X 3/4CP	
46.	202-335H	ROD AGITATOR	
47.	202-003H	24T SPEED CHANGE SPROCKET	
48.	803-007C	NUT LOCK 1/4-20 PLT	

**Legend:** ● = 1st revision; ⊕ = 2nd revision; ⊕ = 3rd revision; ● = use up existing stock; ⊗ = not interchangeable; ⊕ ⊕ = for example: revision 2 is not interchangeable w/revision 1

**Native Grass Upper Drive & Chain Guard**



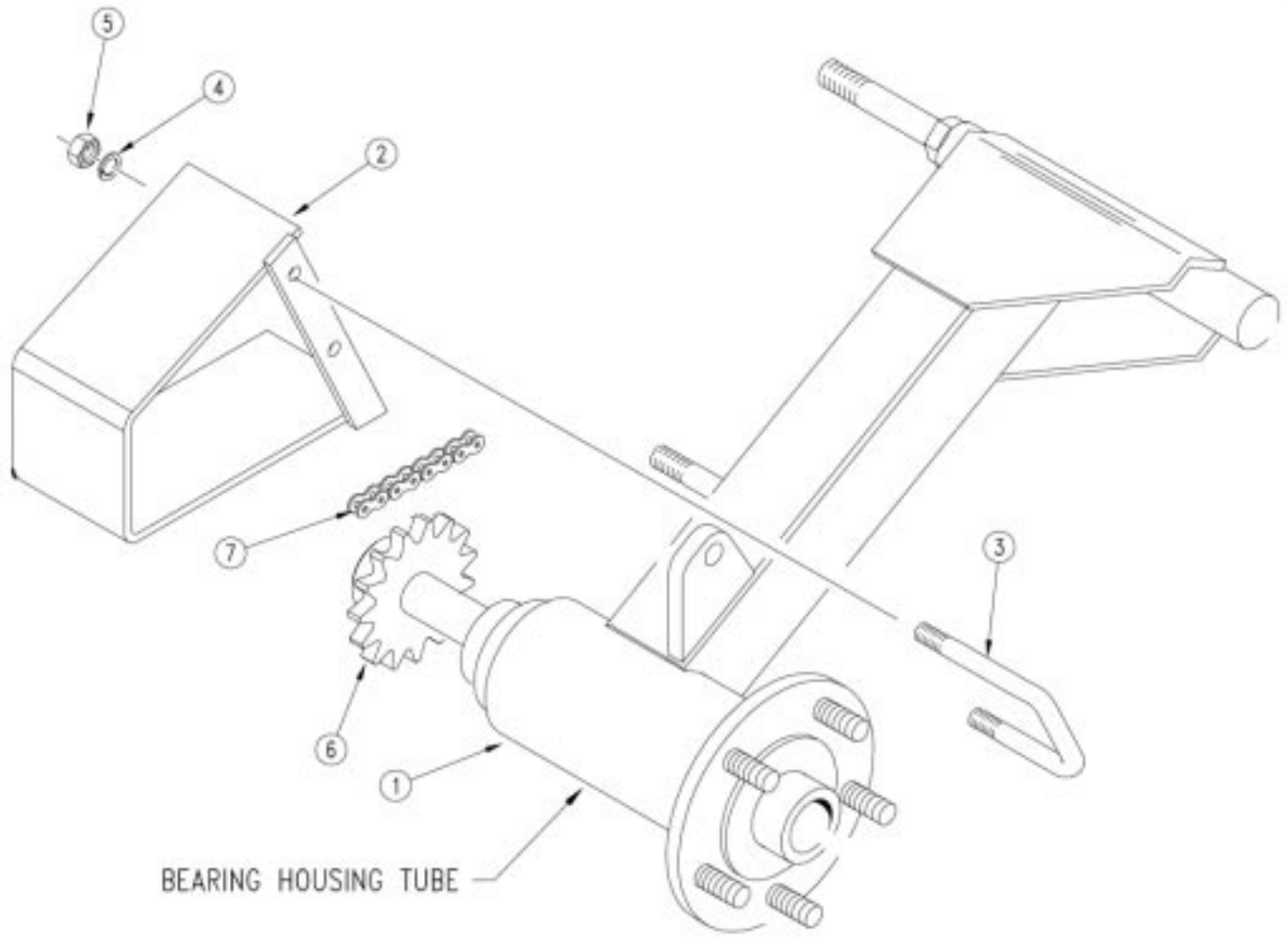
11336

**Native Grass Upper Drive & Chain Guard**

Ref.	Part No.	Part Description	Comments
1.	202-331H	UPPER GUARD WELDMENT-LH	
	202-330H	UPPER GUARD WELDMENT-RH	
2.	202-328H	HINGE MOUNT WELDMENT	
3.	202-132D	GUARD HINGE MOUNT PIN	
4.	202-120D	UPPER GUARD MOUNT PLATE	
5.	120-160D	JACKSHAFT BEARING BRACKET LH	Shown
6.	802-012C	HHCS 5/16-18X1 1/2 GR5	
7.	803-027C	NUT HEX 3/4-10 PLT	
8.	804-023C	WASHER LOCK SPRING 3/4 PLT	
9.	822-007C	BEARING JACK SHAFT	
10.	804-009C	WASHER LOCK SPRING 5/16 PLT	
11.	803-008C	NUT HEX 5/16-18 PLT	
12.	805-088C	PIN, HAIR COTTER 3/16 WIRE DIA	
13.	805-010C	PIN HAIR COTTER .094	
14.	802-079C	HHCS 3/8-16X1 1/4 GR5	
15.	121-093D	S.R. END SPACER 2X13 DOUBLE V	
16.	804-013C	WASHER LOCK SPRING 3/8 PLT	
17.	803-014C	NUT HEX 3/8-16 PLT	
18.	202-009H	GRASS SEEDER DRIVE HUB	

**Legend:** ● = 1st revision; ● = 2nd revision; ● = 3rd revision; ● = use up existing stock; ⊗ = not interchangeable; ⊗ ① ● = for example: revision 2 is not interchangeable w/revision 1

*Native Grass Lower Drive & Chain Guard*



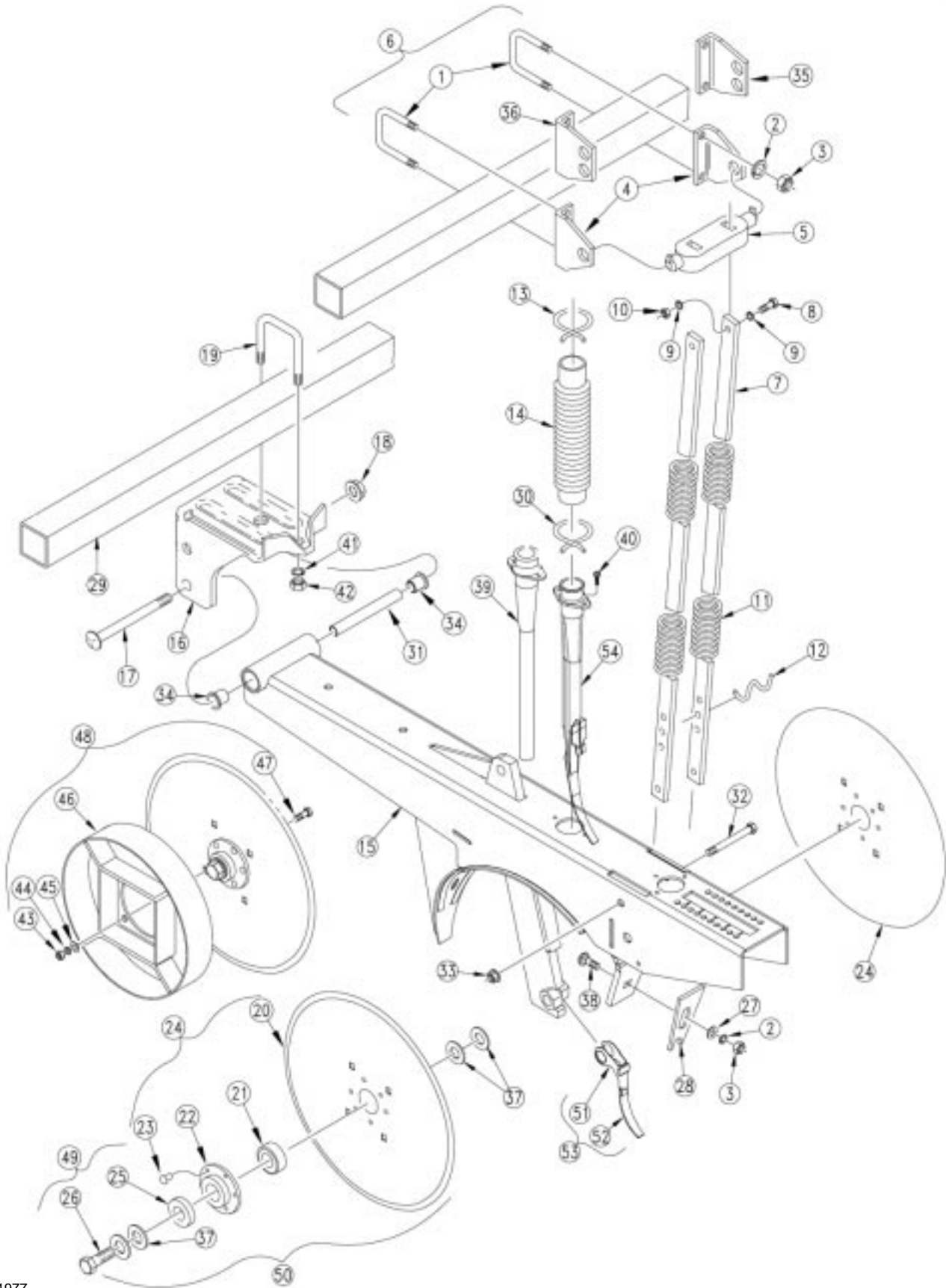
11337

***Native Grass Lower Drive & Chain Guard***

Ref.	Part No.	Part Description	Comments
1.	120-069H 120-070H	LH GA WHL HANGER DRIVE END RH DRIVE GA WHL HANGER	Shown
2.	202-327H 202-326H	LOWER GUARD WELDMENT-LH LOWER GUARD WELDMENT-RH	Shown
3.	806-021C	U-BOLT 3/8-16 X 3 1/32 X 4	
4.	804-013C	WASHER LOCK SPRING 3/8 PLT	
5.	803-014C	NUT HEX 3/8-16 PLT	
6.	808-002C	SPKT 15 TEETH X 1 1/2 BORE	
7.	⊗ 136-001D ● 809-001C	<b>CHAIN RL 20-50A 37 PITCHES</b> <b>REPLACED BY 136-001D</b>	

**Legend:** ● = 1st revision; ⊗ = 2nd revision; ⊕ = 3rd revision; ● = use up existing stock; ⊗ = not interchangeable; ⊗ ⊕ ⊗ = for example: revision 2 is not interchangeable w/revision 1

Option 00 Straight Arm Opener (1994+)



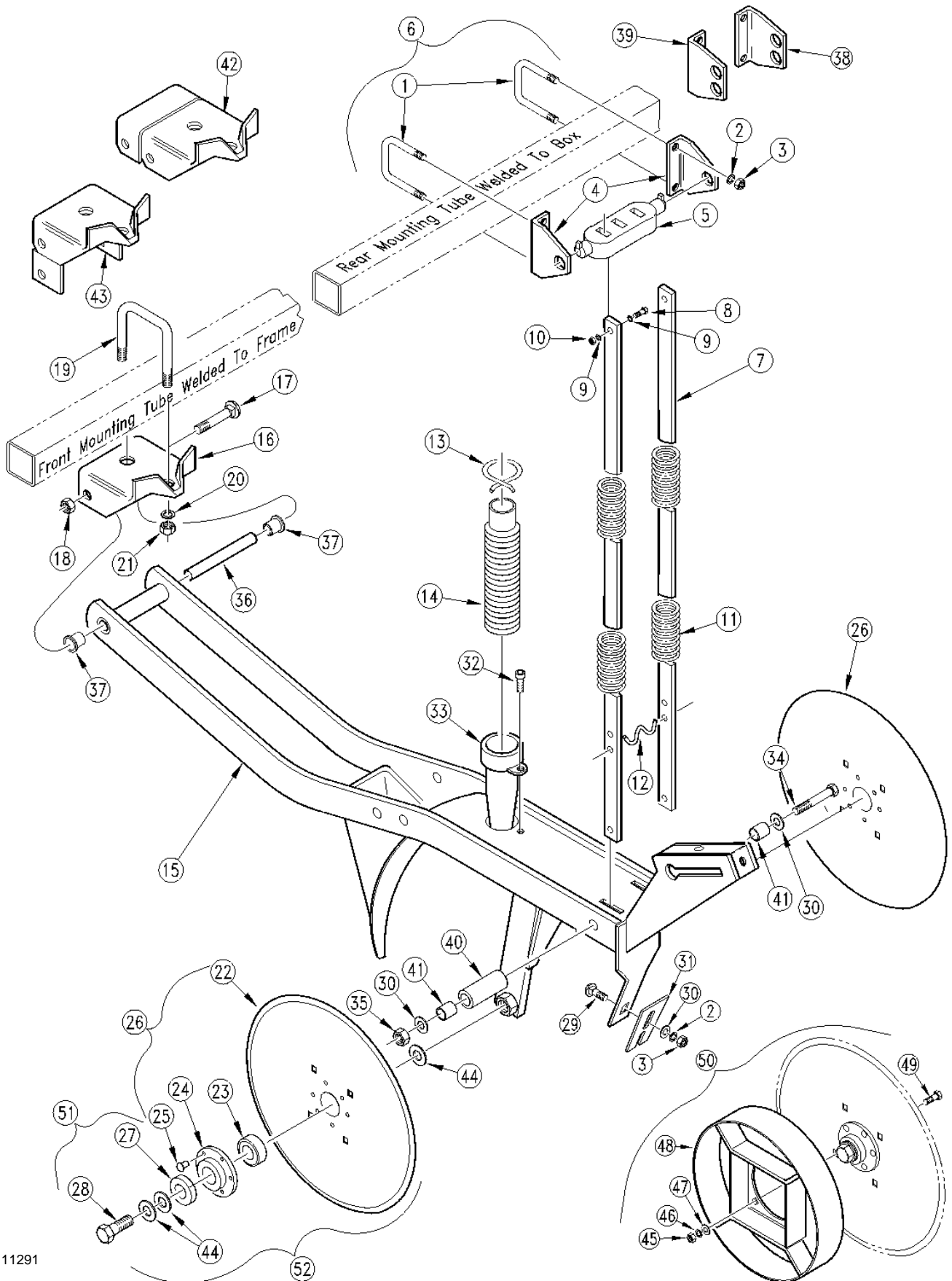
11977

**Option 00 Straight Arm Opener (1994+)**

Ref.	Part No.	Part Description	Comments
1.	806-004C	U-BOLT 3/8-16 X 2 X 2 3/4	
2.	804-013C	WASHER LOCK SPRING 3/8 PLT	
3.	803-014C	NUT HEX 3/8-16 PLT	
4.	121-125D	FIRMING WHEEL ARM PIVOT	
5.	812-012C	CASTING DOUBLE SPRING ROD	
6.	121-011A	SPRING CASTING MTG ASS'Y	
7.	121-133D	STRAIGHT ARM OPENER SPRING ROD	
8.	802-004C	HHCS 1/4-20X3/4 GR5	
9.	804-006C	WASHER LOCK SPRING 1/4 PLT	
10.	803-006C	NUT HEX 1/4-20 PLT	
11.	807-118C	SPRING COMP 13/16IDX.156WX19.5	
12.	107-027D	DISC SPRING BAR WIRE CLIP	
13.	800-009C	CLAMP HOSE 1 5/8 NO. 26	
14.	816-114C	SEED HOSE 30 RIBS X 7 1/2 LG	
15.	121-703H	OPENER WELDMENT - SHORT	For drills manufactured before 5/1/2000 also order part no. 122-202S, refer to page 8-13 item 19.
	142-824H	2SEC CLEARANCE OPENER-FIELD	
16.	⊕ 107-116D	<b>U-MOUNT WITH 2 DROP</b>	
	⊕ 121-016H	<b>REPLACED BY 107-116D</b>	
17.	802-121C	RHSNB 1/2-13X5 1/2 GR5	
18.	803-169C	NUT HEX FLG. LOCK 1/2-13 PLT.	
19.	806-005C	U-BOLT 1/2-13 X 2 X 3 GR 5	
20.	⊗ ⊕ ⊕ 820-155C	<b>FLAT DISK STEEL (1/4" rivets).</b>	<b>No longer available. Update with 107-133S, item 25.</b>
	⊕ 820-080C	<b>FLAT DISK STEEL (3/16" rivets).</b>	
21.	188-001V	BEARING AA205DD	
22.	⊗ ⊕ ⊕ 890-466C	<b>RIBB BRG FLNG .266 MT HOLE PLT</b>	<b>Use with 820-155C (1/4" rivets).</b>
	⊕ 107-112D	<b>BEARING FLANGE-3/16 DIA HOLES</b>	<b>Use with 820-080C (3/16" rivets).</b>
23.	⊗ ⊕ ⊕ 800-213C	<b>RIVET,BUTTON HEAD 1/4 X 9/16</b>	<b>Use with 820-155C.</b>
	⊕ 800-212C	<b>RIVET,BUTTON HEAD .203 X 9/16</b>	<b>Use with 820-080C.</b>
24.	⊗ ⊕ ⊕ 107-133S	<b>D.D. W/ 205 BRG ASSY-PLT FLNG</b>	<b>Includes items 20, 21, 22 &amp; 23.</b>
	⊕ 107-130S	<b>REPLACED BY 107-133S</b>	
25.	107-111D	DD BRG FLANGE DUST COVER	
26.	802-228C	HHCS 5/8-11X1 1/2 GR5 NYL	
27.	804-012C	WASHER FLAT 3/8 SAE PLT	
28.	107-113D	D.D. SLOTTED SCRAPER	
29.			
30.	800-008C	CLAMP HOSE 1 1/2 NO. 24	
31.	142-198D	STRAIGHT ARM OPENER PIVOT PIPE	
32.	802-427C	HFS 3/8-16X3 5/8 SPTHD	
33.	803-209C	NUT FLANGE LOCK 3/8-16 PLT	
34.	817-084C	PARALLEL ARM PIVOT BUSHING	
35.	121-127D	OFFSET SPRING ROD CLIP R.H.	
36.	121-128D	OFFSET SPRING ROD CLIP L.H.	
37.	804-040C	WASHER MACH 1.00 X .625 X 18GA	
38.	802-015C	RHSNB 3/8-16X1 GR5	
39.	817-133C	PLASTIC OPENER SEED TUBE	Model year 1998-.
40.	801-002C	SCREW HEX SLT10-16X3/8PTHD CT	
41.	804-015C	WASHER LOCK SPRING 1/2 PLT	
42.	⊕ 803-037C	<b>NUT HEX WHIZ 1/2-13 PLT</b>	
	⊕ 803-020C	<b>NUT HEX 1/2-13 PLT</b>	
43.	803-008C	NUT HEX 5/16-18 PLT	
44.	804-009C	WASHER LOCK SPRING 5/16 PLT	
45.	804-036C	WASHER FLAT 5/16 SAE PLT	
46.	121-704H	10 1/2 DEPTH BAND WLMT	
47.	802-029C	HHCS 7/16-14X1 1/2 GR5	
48.	121-705A	10 1/2 DEPTH BAND BUNDLE	
49.	107-136S	BLADE UPDATE HARDWARE	Includes items 25, 26 & 37.
50.	107-134A	13 1/2 BLADE UDPATE-1/4 RIVETS	Includes items 24 & 50.
51.	121-164D	HEX SEED FLAP MOUNTING CLIP	Model year 1999+.
52.	816-302C	SEED FLAP, RUBBER, SEED-LOK	Model year 1999+.
53.	122-242S	SEED FLAP & HEX CLIP, SEEDLOK	Model year 1999+.
54.	817-314C	OPENER SEED TUBE, PLASTIC	Model year 1999+.

**Legend:** ⊕ = 1st revision; ⊕ = 2nd revision; ⊕ = 3rd revision; ● = use up existing stock; ⊗ = not interchangeable; ⊗ ⊕ ⊕ = for example: revision 2 is not interchangeable w/revision 1

Double Disk Opener (Standard 1991-1993)



11291

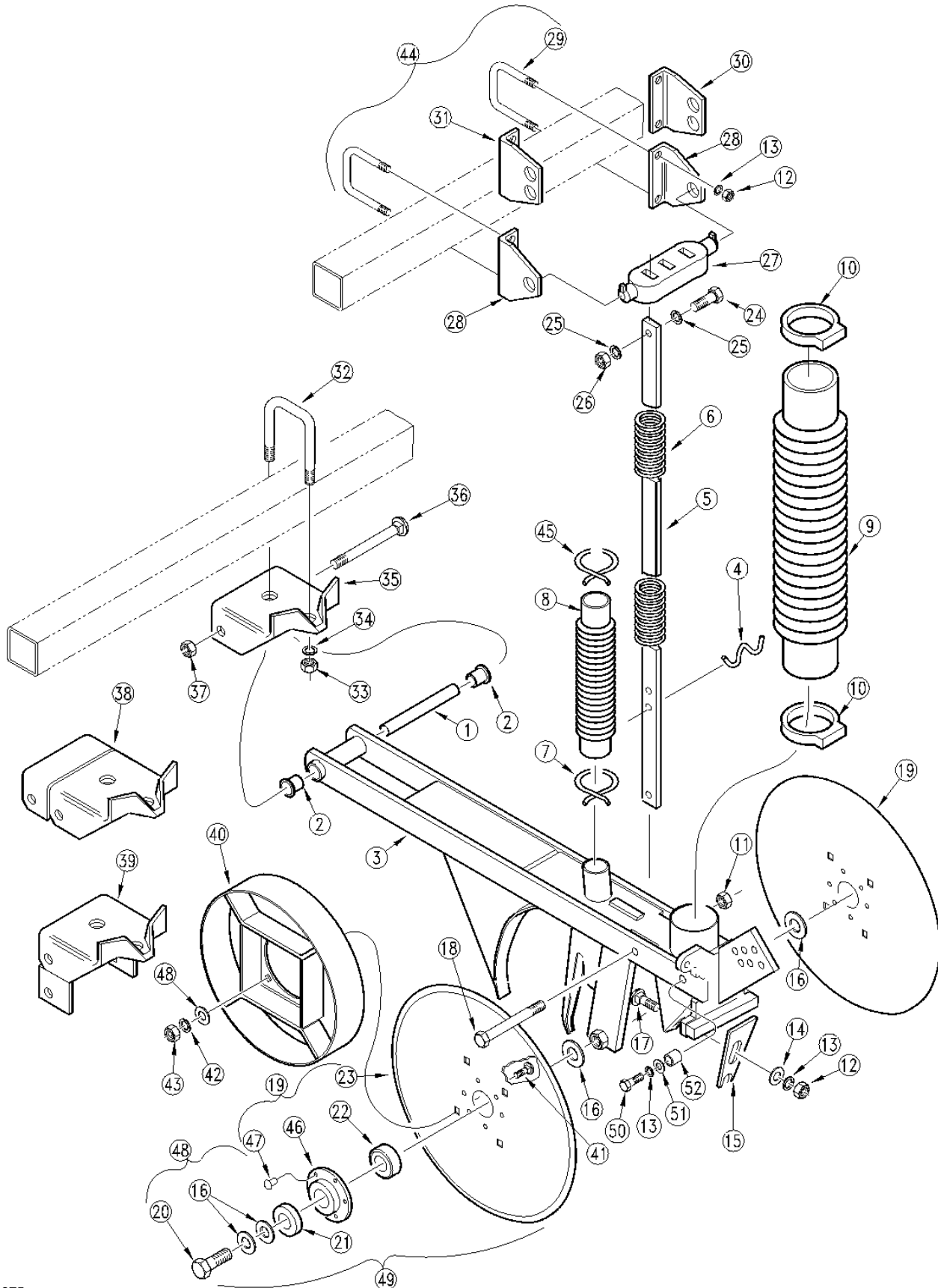


## Double Disk Opener (Standard 1991-1993)

Ref.	Part No.	Part Description	Comments
1.	806-004C	U-BOLT 3/8-16 X 2 X 2 3/4	
2.	804-013C	WASHER LOCK SPRING 3/8 PLT	
3.	803-014C	NUT HEX 3/8-16 PLT	
4.	121-025D	SPRING ROD CASTING CLIP	
5.	812-012C	CASTING DOUBLE SPRING ROD	
6.	121-011A	SPRING CASTING MTG ASS'Y	Includes items 1 thru 5.
7.	121-110D	DOUBLE DISK SPRING ROD	Standard
	121-090D	HILLSIDE D.D. SPRING ROD	Optional
8.	802-004C	HHCS 1/4-20X3/4 GR5	
9.	804-006C	WASHER LOCK SPRING 1/4 PLT	
10.	803-006C	NUT HEX 1/4-20 PLT	
11.	807-028C	3 PT.DD HEAVY SPRING 19 1/2 LG	Standard
	807-029C	3 PT DD LIGHT SPRING 19 1/2 LG	Optional
12.	107-027D	DISC SPRING BAR WIRE CLIP	
13.	800-009C	CLAMP HOSE 1 5/8 NO. 26	
14.	816-046C	HOSE SOLID STAND DD SHORT	
15.	121-147H	3-PT DOUBLE DISK MOUNTING ARM	
16.	107-097D	FLANGED U MOUNT BRACKET	
17.	802-121C	RHSNB 1/2-13X5 1/2 GR5	
18.	803-178C	NUT NYLOCK JAM NUT 1/2-13	
19.	806-005C	U-BOLT 1/2-13 X 2 X 3 GR 5	
20.	804-015C	WASHER LOCK SPRING 1/2 PLT	
21.	803-020C	NUT HEX 1/2-13 PLT	
22.	⊗ ① ② 820-155C	<b>FLAT DISK STEEL (1/4" rivets)</b>	
	① 820-080C	<b>FLAT DISK STEEL (3/16" rivets)</b>	No longer available. Update with 107-133S, item 26.
23.	188-001V	BEARING AA205DD	
24.	⊗ ① ② 890-466C	<b>RIBB BRG FLNG .266 MT HOLE PLT</b>	Use with 820-155C (1/4" rivets).
	① 107-112D	<b>BEARING FLANGE-3/16 DIA HOLES</b>	Use with 820-080C (3/16" rivets).
25.	⊗ ① ② 800-213C	<b>RIVET,BUTTON HEAD 1/4 X 9/16</b>	Use with 820-155C.
	① 800-212C	<b>RIVET,BUTTON HEAD .203 X 9/16</b>	Use with 820-080C.
26.	⊗ ① ② 107-133S	<b>D.D. W/ 205 BRG ASSY-PLT FLNG</b>	Includes items 22, 23, 24 & 25.
	① 107-130S	<b>REPLACED BY 107-133S</b>	
27.	107-111D	DD BRG FLANGE DUST COVER	
28.	802-228C	HHCS 5/8-11X1 1/2 GR5 NYL	
29.	802-015C	RHSNB 3/8-16X1 GR5	
30.	804-012C	WASHER FLAT 3/8 SAE PLT	
31.	107-113D	D.D. SLOTTED SCRAPER	
32.	801-002C	SCREW HEX SLT10-16X3/8P.THD CT	
33.	817-060C	PLASTIC SEED DROP & GUIDE ASSY	
34.	802-174C	HHCS 3/8-16X4 3/4 GR5 SPTH	
35.	803-078C	NUT LOCK 3/8-16 NYLON INSERT	
36.	121-101D	DD ARM PIVOT PIPE SPACER	
37.	817-028C	DOUBLE DISK ARM PIVOT BUSHINGS	
38.	121-128D	OFFSET SPRING ROD CLIP L.H.	
39.	121-127D	OFFSET SPRING ROD CLIP R.H.	
40.	121-091D	SPRING ROD CENTER SPACER TUBE	
41.	121-092D	S.R. END SPACER 4X12 & 2X13 SG	
42.	121-017E	7 STAGGER D.D. MOUNT	
43.	② 107-116D	<b>U-MOUNT WITH 2 DROP</b>	
	● ① 121-016H	<b>REPLACED BY 107-116D</b>	
44.	804-040C	WASHER MACH 1.00 X .625 X 18GA	
45.	803-008C	NUT HEX 5/16-18 PLT	
46.	804-009C	WASHER LOCK SPRING 5/16 PLT	
47.	804-036C	WASHER FLAT 5/16 SAE PLT	
48.	121-704H	10 1/2 DEPTH BAND WLMT	
49.	802-029C	HHCS 7/16-14X1 1/2 GR5	
50.	121-705A	10 1/2 DEPTH BAND BUNDLE	
51.	107-136S	BLADE UPDATE HARDWARE	Includes items 27, 28 & 44.
52.	107-134A	13 1/2 BLADE UDPATE-1/4 RIVETS	Includes items 26 & 51.

Legend: ● = 1st revision; ② = 2nd revision; ③ = 3rd revision; ● = use up existing stock; ⊗ = not interchangeable; ⊗ ① ② = for example: revision 2 is not interchangeable w/revision 1

Heavy Duty Native Grass Opener Assembly



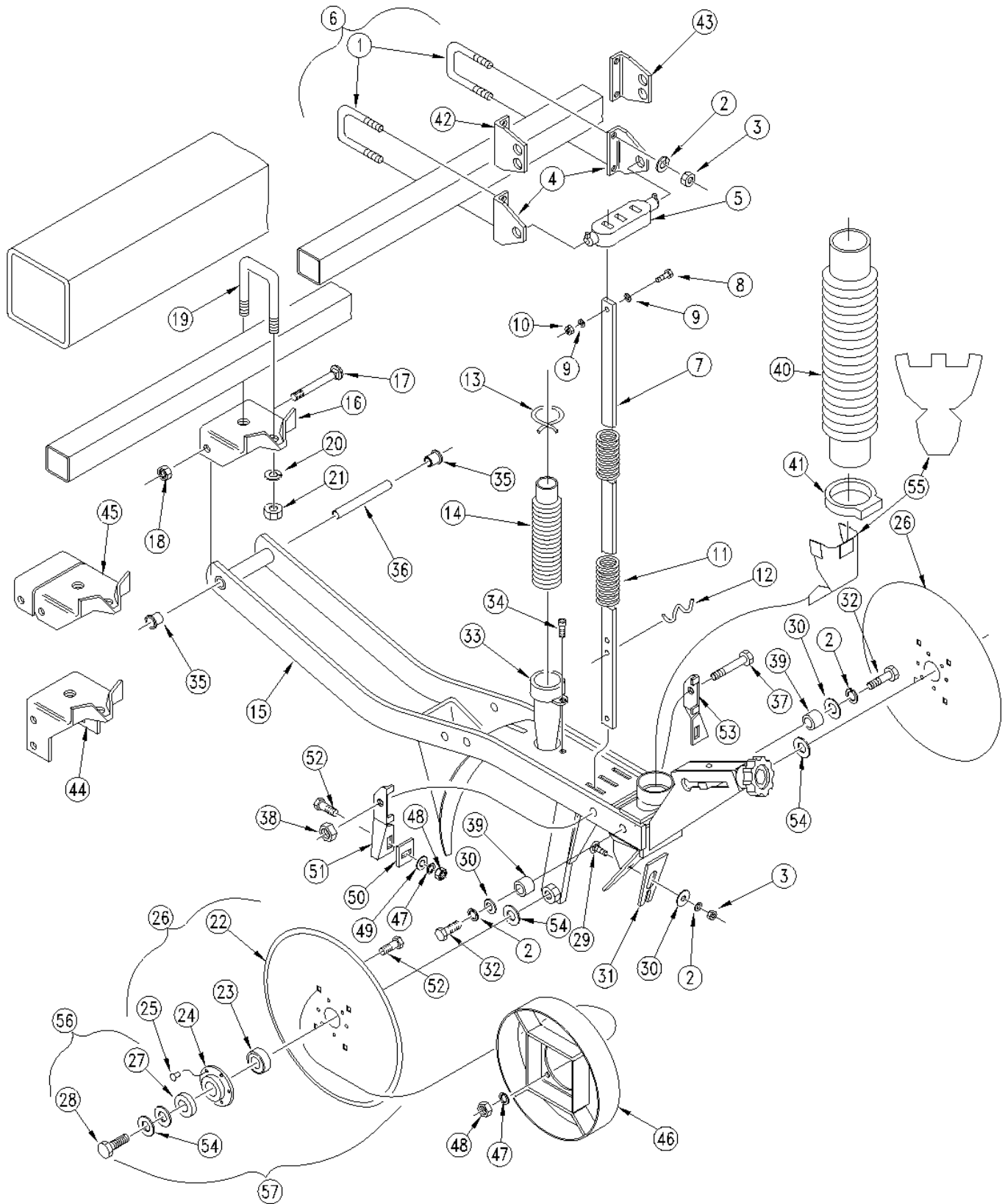
10875

## Heavy Duty Native Grass Opener Assembly

Ref.	Part No.	Part Description	Comments
1.	121-101D	DD ARM PIVOT PIPE SPACER	
2.	817-028C	DOUBLE DISK ARM PIVOT BUSHINGS	
3.	202-265H	SS NATIVE GRASS DD ARM	
4.	107-027D	DISC SPRING BAR WIRE CLIP	
5.	121-110D	DOUBLE DISK SPRING ROD	
6.	807-028C	3 PT.DD HEAVY SPRING 19 1/2 LG	
	807-029C	3 PT DD LIGHT SPRING 19 1/2 LG	
7.	800-008C	CLAMP HOSE 1 1/2 NO. 24	
8.	816-028C	DOUBLE DISK HOSE SHORT	
9.	816-052C	HOSE NATIVE GRASS SOLID STAND	
10.	800-067C	CLAMP BAND 2 1/2	
11.	803-078C	NUT LOCK 3/8-16 NYLON INSERT	
12.	803-014C	NUT HEX 3/8-16 PLT	
13.	804-013C	WASHER LOCK SPRING 3/8 PLT	
14.	804-012C	WASHER FLAT 3/8 SAE PLT	
15.	107-113D	D.D. SLOTTED SCRAPER	
16.	804-040C	WASHER MACH 1.00 X .625 X 18GA	
17.	802-015C	RHSNB 3/8-16X1 GR5	
18.	802-223C	HHCS 3/8-16X4 GR5	
19.	⊗ ① ② 107-133S ● 107-130S	<b>D.D. W/ 205 BRG ASSY-PLT FLNG REPLACED BY 107-133S</b>	<b>Includes items 22, 23, 45 &amp; 46.</b>
20.	802-228C	HHCS 5/8-11X1 1/2 GR5 NYL	
21.	107-111D	DD BRG FLANGE DUST COVER	
22.	188-001V	BEARING AA205DD	
23.	⊗ ① ② 820-155C ● 820-080C	<b>FLAT DISK STEEL (1/4" rivets). REPLACED BY 107-134A (3/16" rivets).</b>	<b>No longer available. Update with 107-133S, item 19.</b>
24.	802-004C	HHCS 1/4-20X3/4 GR5	
25.	804-006C	WASHER LOCK SPRING 1/4 PLT	
26.	803-006C	NUT HEX 1/4-20 PLT	
27.	812-012C	CASTING DOUBLE SPRING ROD	
28.	121-025D	SPRING ROD CASTING CLIP	
29.	806-004C	U-BOLT 3/8-16 X 2 X 2 3/4	
30.	121-128D	OFFSET SPRING ROD CLIP L.H.	
31.	121-127D	OFFSET SPRING ROD CLIP R.H.	
32.	806-005C	U-BOLT 1/2-13 X 2 X 3 GR 5	
33.	803-020C	NUT HEX 1/2-13 PLT	
34.	804-015C	WASHER LOCK SPRING 1/2 PLT	
35.	107-097D	FLANGED U MOUNT BRACKET	
36.	802-121C	RHSNB 1/2-13X5 1/2 GR5	
37.	803-178C	NUT NYLOCK JAM NUT 1/2-13	
38.	121-017E	7 STAGGER D.D. MOUNT	
39.	② 107-116D ● 121-016H	<b>U-MOUNT WITH 2 DROP REPLACED BY 107-116D</b>	
40.	202-263H	DEPTH BAND	
41.	802-092C	RHSNB 5/16-18X3/4 GR5	
42.	804-009C	WASHER LOCK SPRING 5/16 PLT	
43.	803-008C	NUT HEX 5/16-18 PLT	
44.	121-011A	SPRING CASTING MTG ASS'Y	Includes items 12, 13, 27, 28 & 29.
45.	800-009C	CLAMP HOSE 1 5/8 NO. 26	
46.	⊗ ① ② 890-466C ● 107-112D	<b>RIBB BRG FLNG .266 MT HOLE PLT BEARING FLANGE-3/16 DIA HOLES</b>	<b>Use with 820-155C (1/4" rivets). Use with 820-080C (3/16" rivets).</b>
47.	⊗ ① ② 800-213C ● 800-212C	<b>RIVET,BUTTON HEAD 1/4 X 9/16 RIVET,BUTTON HEAD .203 X 9/16</b>	<b>Use with 820-155C. Use with 820-080C.</b>
48.	107-136S	BLADE UPDATE HARDWARE	Includes items 18, 20 & 21.
49.	107-134A	13 1/2 BLADE UDPATE-1/4 RIVETS	Includes items 19 & 48.
50.	802-079C	HHCS 3/8-16X1 1/4 GR5	
51.	804-011C	WASHER FLAT 3/8 USS PLT	
52.	121-092D	S.R. END SPACER 4X12 & 2X13 SG	

**Legend:** ● = 1st revision; ② = 2nd revision; ③ = 3rd revision; ● = use up existing stock; ⊗ = not interchangeable; ⊗ ① ② = for example: revision 2 is not interchangeable w/revision 1

Standard Native Grass Opener Assembly



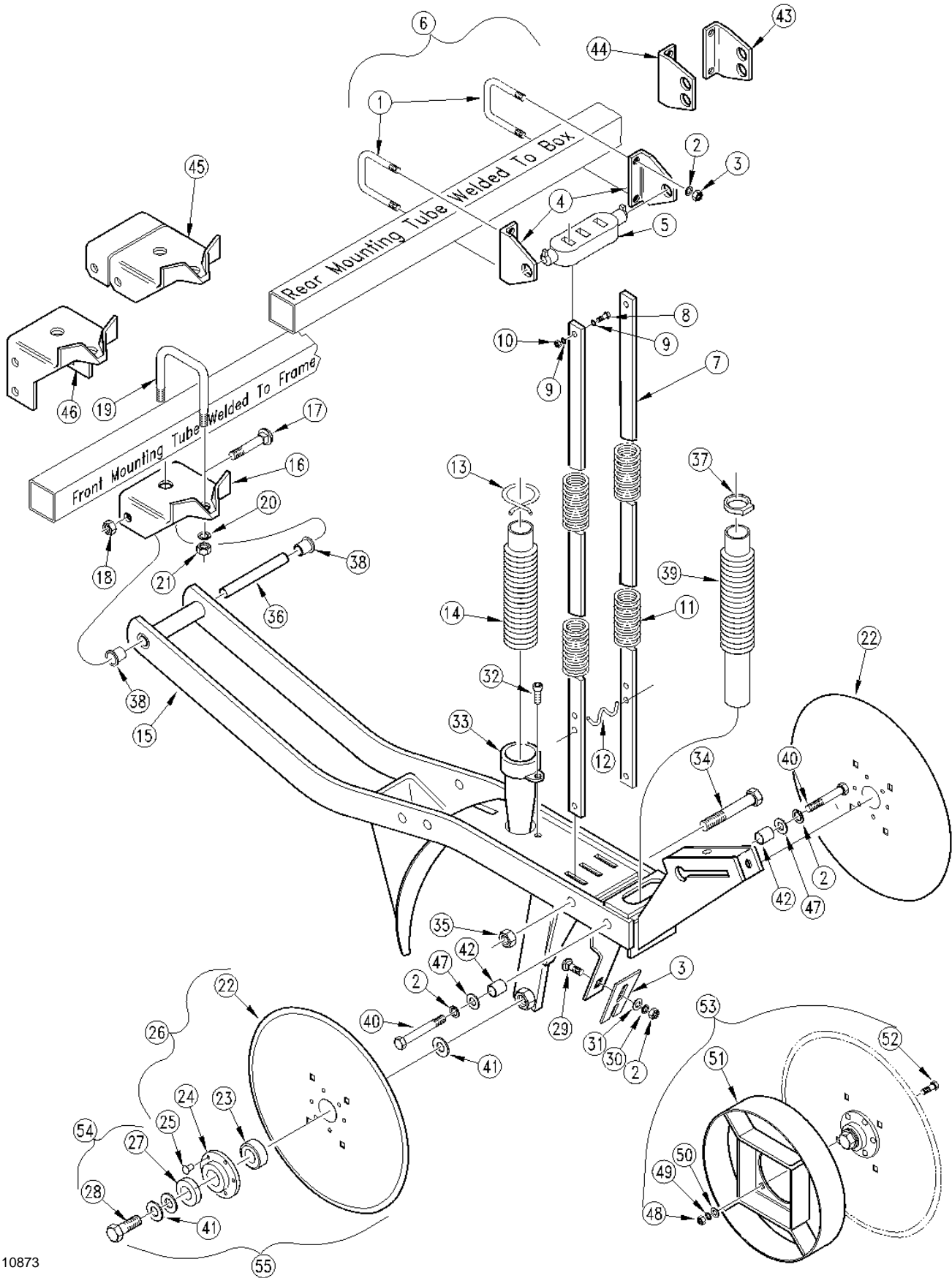
10874

## Standard Native Grass Opener Assembly

Ref.	Part No.	Part Description	Comments
1.	806-004C	U-BOLT 3/8-16 X 2 X 2 3/4	
2.	804-013C	WASHER LOCK SPRING 3/8 PLT	
3.	803-014C	NUT HEX 3/8-16 PLT	
4.	121-025D	SPRING ROD CASTING CLIP	
5.	812-012C	CASTING DOUBLE SPRING ROD	
6.	121-011A	SPRING CASTING MTG ASS'Y	Includes items 1 thru 5.
7.	121-110D	DOUBLE DISK SPRING ROD	
	121-090D	HILLSIDE D.D. SPRING ROD	
	121-111D	D.D.SPRING ROD-5 IN DROP BRKT.	
8.	802-004C	HHCS 1/4-20X3/4 GR5	
9.	804-006C	WASHER LOCK SPRING 1/4 PLT	
10.	803-006C	NUT HEX 1/4-20 PLT	
11.	807-028C	3 PT.DD HEAVY SPRING 19 1/2 LG	Standard
	807-029C	3 PT DD LIGHT SPRING 19 1/2 LG	Optional
12.	107-027D	DISC SPRING BAR WIRE CLIP	
13.	800-009C	CLAMP HOSE 1 5/8 NO. 26	
14.	816-046C	HOSE SOLID STAND DD SHORT	
15.	202-006H	GRASS SEED DISK MOUNTING ARM	
16.	107-097D	FLANGED U MOUNT BRACKET	
17.	802-121C	RHSNB 1/2-13X5 1/2 GR5	
18.	803-178C	NUT NYLOCK JAM NUT 1/2-13	
19.	806-005C	U-BOLT 1/2-13 X 2 X 3 GR 5	
	806-010C	U-BOLT 1/2-13 X 2 1/2 X 3 1/2	
20.	804-015C	WASHER LOCK SPRING 1/2 PLT	
21.	803-020C	NUT HEX 1/2-13 PLT	
22.	⊗ ① ② <b>820-155C</b>	<b>FLAT DISK STEEL</b>	
	① <b>820-080C</b>	<b>REPLACED BY 107-134A</b>	<b>No longer available. Update with 107-133S, item 26.</b>
23.	188-001V	BEARING AA205DD	
24.	⊗ ① ② <b>890-466C</b>	<b>RIBB BRG FLNG .266 MT HOLE PLT</b>	<b>Use with 820-155C (1/4" rivets).</b>
	① <b>107-112D</b>	<b>BEARING FLANGE-3/16 DIA HOLES</b>	<b>Use with 820-080C (3/16" rivets).</b>
25.	⊗ ① ② <b>800-213C</b>	<b>RIVET,BUTTON HEAD 1/4 X 9/16</b>	<b>Use with 820-155C.</b>
	② <b>800-212C</b>	<b>RIVET,BUTTON HEAD .203 X 9/16</b>	<b>Use with 820-080C.</b>
	① <b>800-010C</b>	<b>REPLACED BY 800-212C</b>	
26.	⊗ ① ② <b>107-133S</b>	<b>D.D. W/ 205 BRG ASSY-PLT FLNG</b>	<b>Includes items 22 thru 25.</b>
	① <b>107-130S</b>	<b>REPLACED BY 107-133S</b>	
27.	107-111D	DD BRG FLANGE DUST COVER	
28.	802-228C	HHCS 5/8-11X1 1/2 GR5 NYL	
29.	802-015C	RHSNB 3/8-16X1 GR5	
30.	804-012C	WASHER FLAT 3/8 SAE PLT	
31.	107-113D	D.D. SLOTTED SCRAPER	
32.	802-079C	HHCS 3/8-16X1 1/4 GR5	
33.	817-060C	PLASTIC SEED DROP & GUIDE ASSY	
34.	801-002C	SCREW HEX SLT10-16X3/8P.THD CT	
35.	817-028C	DOUBLE DISK ARM PIVOT BUSHINGS	
36.	121-101D	DD ARM PIVOT PIPE SPACER	
37.	802-026C	HHCS 3/8-16X3 3/4 GR5	
	802-223C	HHCS 3/8-16X4 GR5	Use with scrapers.
38.	803-078C	NUT LOCK 3/8-16 NYLON INSERT	
39.	121-092D	S.R. END SPACER 4X12 & 2X13 SG	
40.	816-052C	HOSE NATIVE GRASS SOLID STAND	
41.	800-067C	CLAMP BAND 2 1/2	
42.	121-127D	OFFSET SPRING ROD CLIP R.H.	
43.	121-128D	OFFSET SPRING ROD CLIP L.H.	
44.	② <b>107-116D</b>	<b>U-MOUNT WITH 2 DROP</b>	
	① <b>121-016H</b>	<b>REPLACED BY 107-116D</b>	
45.	121-017E	7 STAGGER D.D. MOUNT	
46.	202-263H	DEPTH BAND	
47.	804-009C	WASHER LOCK SPRING 5/16 PLT	
48.	803-008C	NUT HEX 5/16-18 PLT	
49.	804-036C	WASHER FLAT 5/16 SAE PLT	
50.	202-074D	SCRAPER TAB - 1 DEPTH BAND	
51.	202-073D	OUTSIDE DD SCRAPER MOUNT LH-1	
52.	802-092C	RHSNB 5/16-18X3/4 GR5	
53.	202-072D	OUTSIDE DD SCRAPER MOUNT RH-1	
54.	804-040C	WASHER MACH 1.00 X .625 X 18GA	
55.	816-057C	GRASS OPENER INSERT	
56.	107-136S	BLADE UPDATE HARDWARE	Includes items 22, 23, 24 & 25.
57.	107-134A	13 1/2 BLADE UDPATE-1/4 RIVETS	Includes items 26 & 56.

Legend: ① = 1st revision; ② = 2nd revision; ③ = 3rd revision; ● = use up existing stock; ⊗ = not interchangeable; ⊗ ① ② = for example: revision 2 is not interchangeable w/revision 1

**Standard Fertilizer Double Disk Opener Assembly**



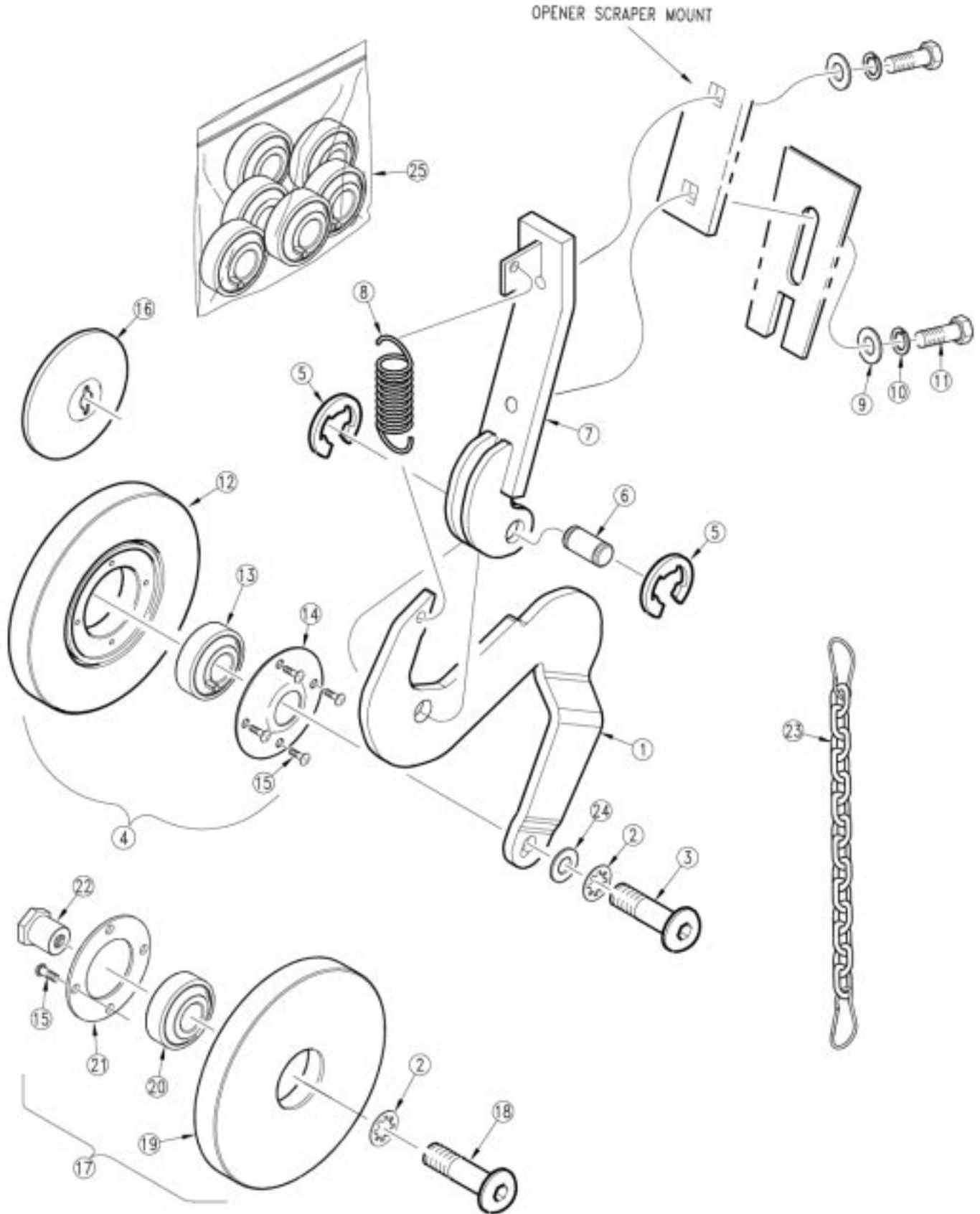
10873

## Standard Fertilizer Double Disk Opener Assembly

Ref.	Part No.	Part Description	Comments
1.	806-004C	U-BOLT 3/8-16 X 2 X 2 3/4	
2.	804-013C	WASHER LOCK SPRING 3/8 PLT	
3.	803-014C	NUT HEX 3/8-16 PLT	
4.	121-025D	SPRING ROD CASTING CLIP	
5.	812-012C	CASTING DOUBLE SPRING ROD	
6.	121-011A	SPRING CASTING MTG ASS'Y	Includes items 2 thru 6.
7.	121-110D	DOUBLE DISK SPRING ROD	Standard
	121-090D	HILLSIDE D.D. SPRING ROD	Optional
8.	802-004C	HHCS 1/4-20X3/4 GR5	
9.	804-006C	WASHER LOCK SPRING 1/4 PLT	
10.	803-006C	NUT HEX 1/4-20 PLT	
11.	807-028C	3 PT.DD HEAVY SPRING 19 1/2 LG	Standard
	807-029C	3 PT DD LIGHT SPRING 19 1/2 LG	Optional
12.	107-027D	DISC SPRING BAR WIRE CLIP	
13.	800-009C	CLAMP HOSE 1 5/8 NO. 26	
14.	816-046C	HOSE SOLID STAND DD SHORT	
15.	142-328H	3-PT DD MOUNTING ARM-FERTZ.	
16.	107-097D	FLANGED U MOUNT BRACKET	
17.	802-121C	RHSNB 1/2-13X5 1/2 GR5	
18.	803-178C	NUT NYLOCK JAM NUT 1/2-13	
19.	806-005C	U-BOLT 1/2-13 X 2 X 3 GR 5	
20.	804-015C	WASHER LOCK SPRING 1/2 PLT	
21.	803-020C	NUT HEX 1/2-13 PLT	
22.	⊗ ① ② ③ ④ <b>820-155C</b>	<b>FLAT DISK STEEL (1/4" rivets)</b>	<b>No longer available. Update with 107-133S, item 26.</b>
	⑤ <b>820-080C</b>	<b>FLAT DISK STEEL (3/16" rivets)</b>	
23.	188-001V	BEARING AA205DD	
24.	⊗ ① ② <b>890-466C</b>	<b>RIBB BRG FLNG 1/4 MT HOLE PLT</b>	<b>Use with 820-155C (1/4" rivets).</b>
	③ <b>107-112D</b>	<b>BEARING FLANGE-3/16 DIA HOLES</b>	<b>Use with 820-080C (3/16" rivets).</b>
25.	⊗ ① ② <b>800-213C</b>	<b>RIVET,BUTTON HEAD 1/4 X 9/16</b>	<b>Use with 820-155C.</b>
	③ <b>800-212C</b>	<b>RIVET,BUTTON HEAD 3/16 X 9/16</b>	<b>Use with 820-080C.</b>
26.	⊗ ① ② <b>107-133S</b>	<b>D.D. W/ 205 BRG ASSY-PLT FLNG</b>	<b>Includes items 22, 23, 24 &amp; 25.</b>
	③ <b>107-130S</b>	<b>REPLACED BY 107-133S</b>	
27.	107-111D	DD BRG FLANGE DUST COVER	
28.	802-228C	HHCS 5/8-11X1 1/2 GR5 NYL	
29.	802-015C	RHSNB 3/8-16X1 GR5	
30.	804-012C	WASHER FLAT 3/8 SAE PLT	
31.	107-113D	D.D. SLOTTED SCRAPER	
32.	801-002C	SCREW HEX SLT10-16X3/8P.THD CT	
33.	817-060C	PLASTIC SEED DROP & GUIDE ASSY	
34.	802-026C	HHCS 3/8-16X3 3/4 GR5	
35.	803-078C	NUT LOCK 3/8-16 NYLON INSERT	
36.	121-101D	DD ARM PIVOT PIPE SPACER	
37.	800-016C	UPPER FERT HOSE CLAMP RATCHET	
38.	817-028C	DOUBLE DISK ARM PIVOT BUSHINGS	
39.	816-003C	D D GRAIN & FERT HOSE	
40.	802-079C	HHCS 3/8-16X1 1/4 GR5	
41.	804-040C	WASHER MACH 1.00 X .625 X 18GA	
42.	121-092D	S.R. END SPACER 4X12 & 2X13 SG	
43.	121-128D	OFFSET SPRING ROD CLIP L.H.	
44.	121-127D	OFFSET SPRING ROD CLIP R.H.	
45.	121-017E	7 STAGGER D.D. MOUNT	
46.	② <b>107-116D</b>	<b>U-MOUNT WITH 2 DROP</b>	<b>REPLACED BY 107-116D</b>
	● ① <b>121-016H</b>		
47.	804-011C	WASHER FLAT 3/8 USS PLT	
48.	803-008C	NUT HEX 5/16-18 PLT	
49.	804-009C	WASHER LOCK SPRING 5/16 PLT	
50.	804-036C	WASHER FLAT 5/16 SAE PLT	
51.	121-704H	10 1/2 DEPTH BAND WLMT	
52.	802-029C	HHCS 7/16-14X1 1/2 GR5	
53.	121-705A	10 1/2 DEPTH BAND BUNDLE	
54.	107-136S	BLADE UPDATE HARDWARE	Includes items 27, 28 & 41.
55.	107-134A	13 1/2 BLADE UDPATE-1/4 RIVETS	Includes items 26 & 54.

Legend: ● = 1st revision; ② = 2nd revision; ③ = 3rd revision; ● = use up existing stock; ⊗ = not interchangeable; ⊗ ① ② = for example: revision 2 is not interchangeable w/revision 1

Seed Lok® (122-193K and 122-194K) (Option)



16601

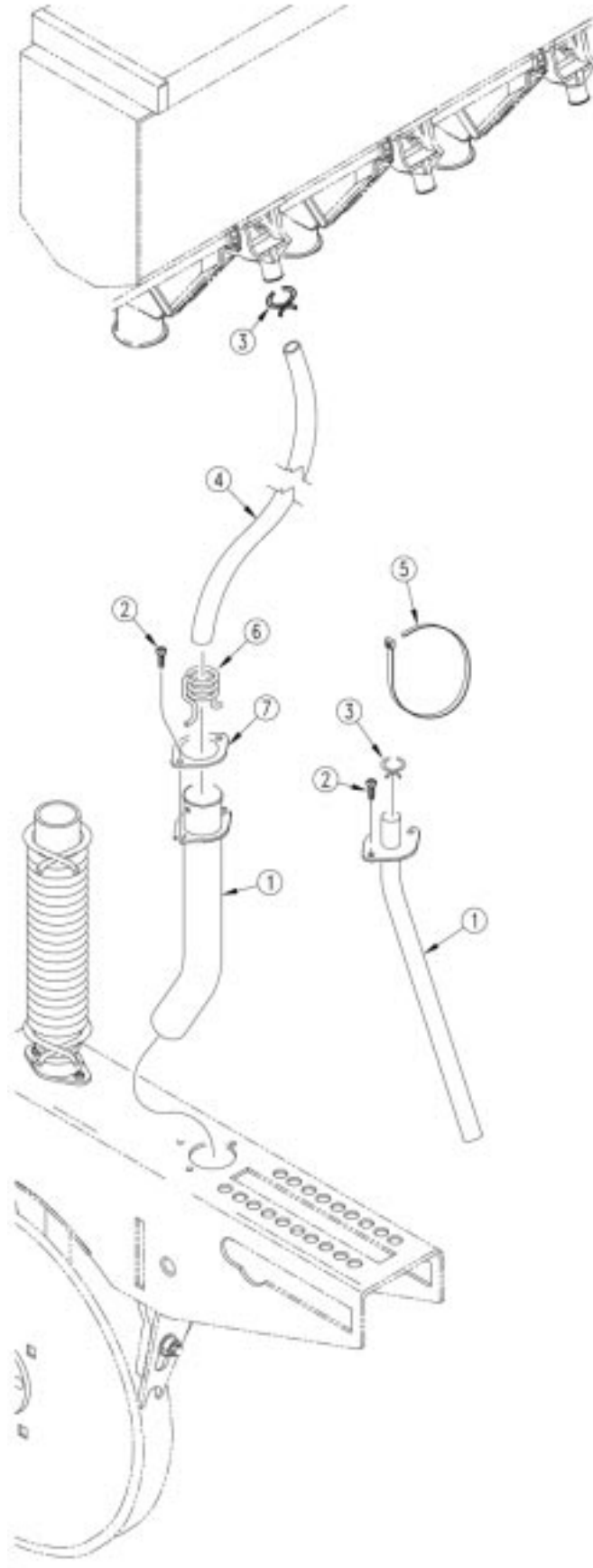


**Seed Lok® (122-193K and 122-194K) (Option)**

Ref.	Part No.	Part Description	Comments
1.	122-151D	SEED-LOK ARM (1994)	
2.	804-078C	WASHER INTERNAL STAR 3/8 PLT.	
3.	801-141C	LHS CP 3/8-16X3/4 GR8 PLAIN	
4.	122-201S	SD-LK 203 BEARING WHEEL ASSY	
5.	800-093C	SNAP RING EXT E 1/2	
6.	122-120D	5 SEED-LOK WHL ARM PIVOT PIN	
7.	122-173H	SS RMVBL SD-LOK MNT WLDMT	Included in 122-193K.
	122-170H	EWNT RMVBL SD-LOK MNT WLDMT	Included in 122-194K.
8.	807-101C	SPRING, 1 O.D.X.125WIREX 3 1/2	
9.	804-012C	WASHER FLAT 3/8 SAE PLT	
10.	804-013C	WASHER LOCK SPRING 3/8 PLT	
11.	802-017C	HHCS 3/8-16X1 GR5	
12.	817-134C	5/8 X 5 SEED FIRING WHEEL	
13.	188-008V	BEARING 203 SEED-LOK WITH PIN	
14.	816-173C	BEARING RETAINER W/BONDED SEAL	
15.	801-084C	SCR PH THD FMG #10X1/2 TP ZP	
16.	206-021D	SEED LOK WHEEL CAP (LONG)	
17.	122-183S	5 SD-LK SOLID WHL ASSY (FAF)	
18.	801-069C	SCR HX SKT BUT CP 3/8-16X1 1/8	
19.	817-091C	5 UHMW SOLID WHEEL	
20.	822-095C	BEARING DBL LIP 203 X 5/8 BORE	
21.	122-147D	5 SD-LOK SOLID WHEEL BRG RTNR	
22.	122-096D	FIRING WHL, MOUNTING COLLAR	
23.	809-198C	SEED LOK TIE UP	
24.	804-011C	WASHER FLAT 3/8 USS PLT	
25.	122-231A	SEED-LOK BEARING PACKAGE	Includes 6 188-008V bearings.

**Legend:** ● = 1st revision; ● = 2nd revision; ● = 3rd revision; ● = use up existing stock; ⊗ = not interchangeable; ⊗ ① ● = for example: revision 2 is not interchangeable w/revision 1

*Small Seeds Hose Retainer*



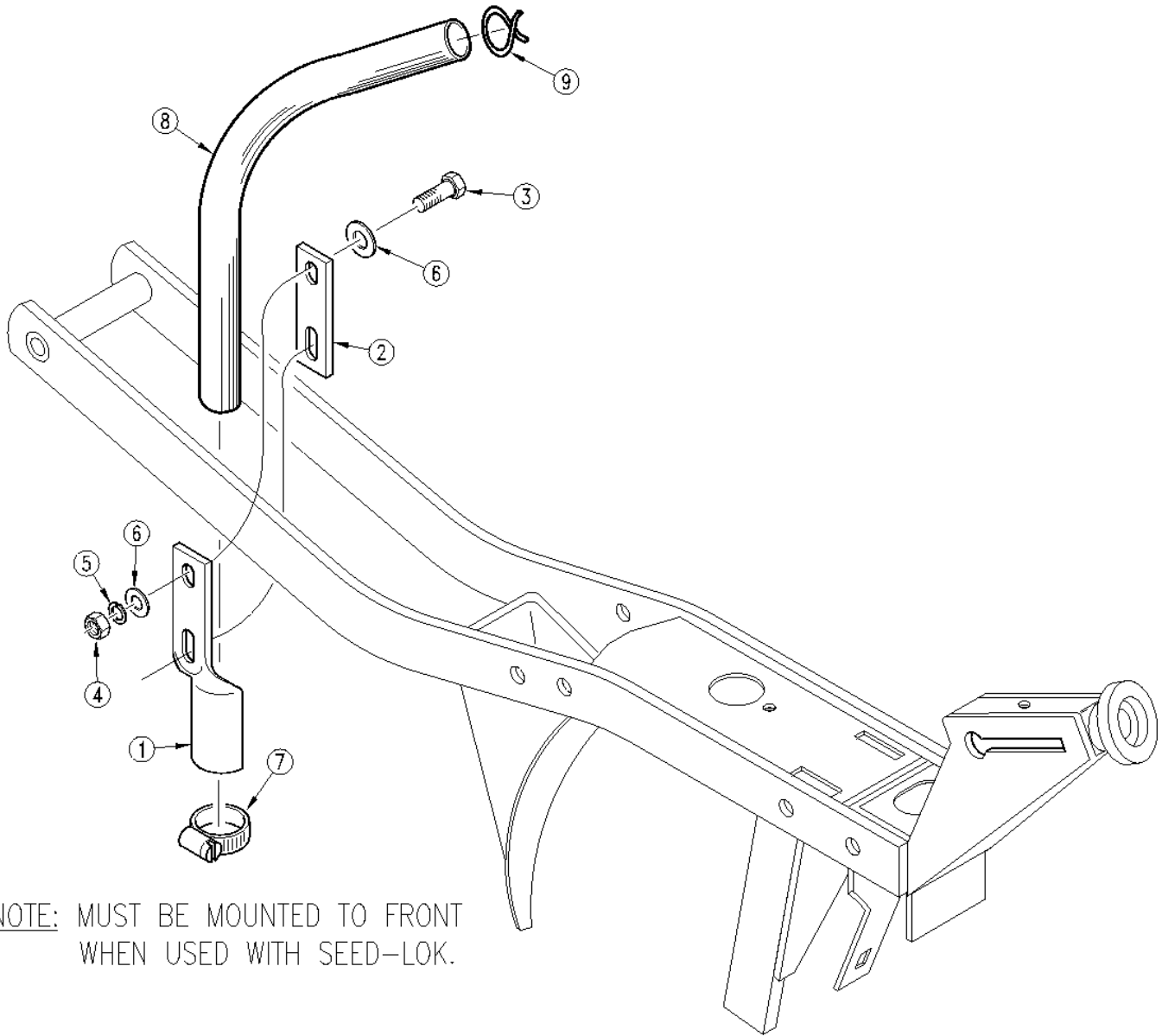
16310

**Small Seeds Hose Retainer**

Ref.	Part No.	Part Description	Comments
1.	⊗ 817-346C ① 123-939H	PLASTIC FERTILIZER TUBE REPLACED BY 817-346C&800-304C	
2.	801-002C	SCREW HEX SLT10-16X3/8P.THD CT	
3.	800-029C	CLAMP HOSE GRASS SEED	
4.	123-203D	SML SDS HOSE 5/8 ID X 56 LONG	
5.	800-060C	CABLE TIE .19X14.25 3DIA 50LB	
6.	800-304C	SGS TUBE CLAMP	
7.	133-065D	SML SDS TB REINFORCEMENT RING	

**Legend:** ① = 1st revision; ⊗ = 2nd revision; ⊕ = 3rd revision; ● = use up existing stock; ⊗ = not interchangeable; ⊗ ⊕ ⊗ = for example: revision 2 is not interchangeable w/revision 1

*Small Seeds Hose Retainer*



NOTE: MUST BE MOUNTED TO FRONT  
WHEN USED WITH SEED-LOK.

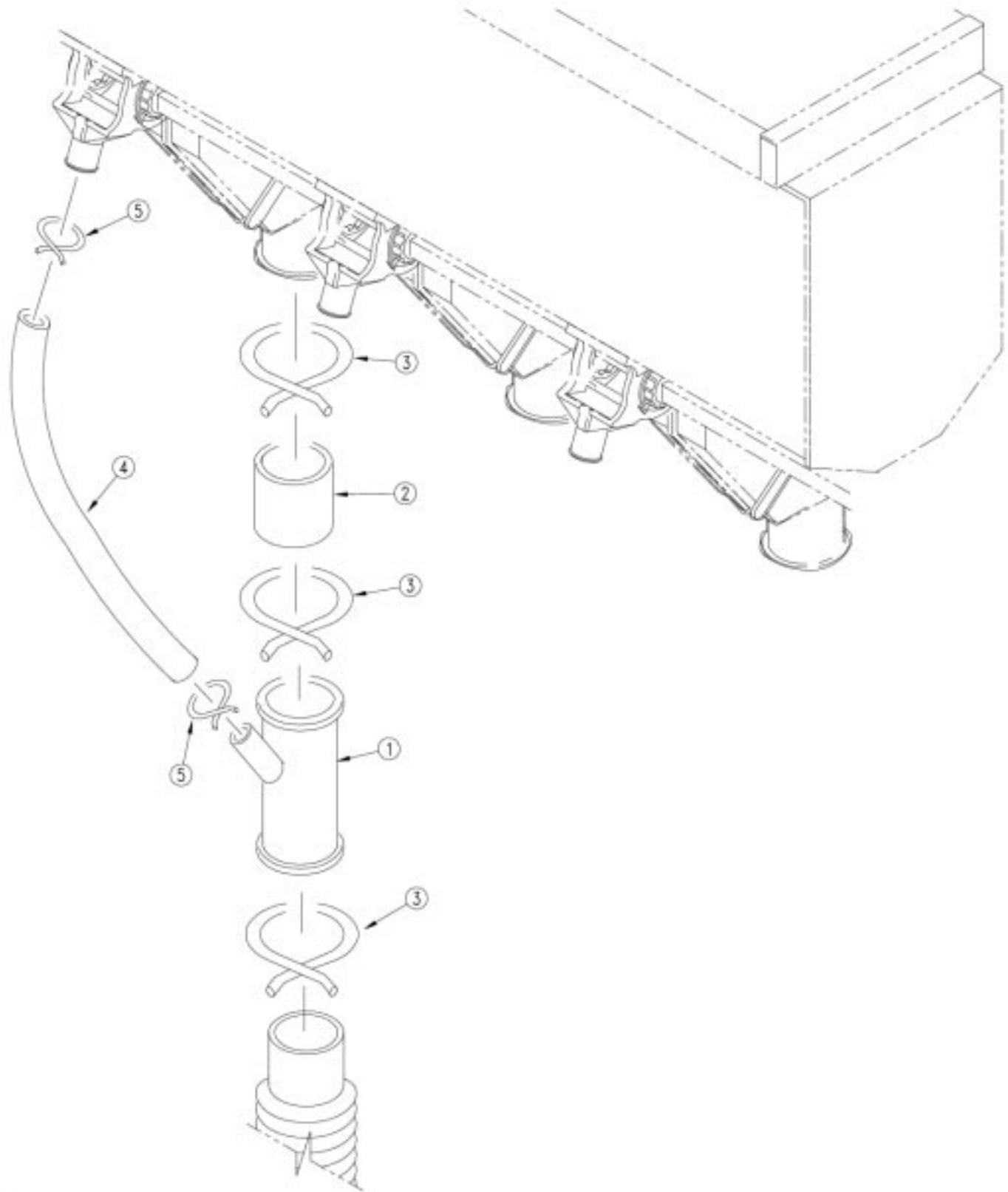
10924

**Small Seeds Hose Retainer**

Ref.	Part No.	Part Description	Comments
1.	123-202D	GRASS SEED HOSE RETAINER	
2.	123-298D	HOSE RETAINER MOUNT PLATE	
3.	802-005C	HHCS 1/4-20X1 GR5	
4.	803-006C	NUT HEX 1/4-20 PLT	
5.	804-006C	WASHER LOCK SPRING 1/4 PLT	
6.	804-007C	WASHER FLAT 1/4 SAE PLT	
7.	800-024C	CLAMP WORM DRIVE 11/16-1 1/4	
8.	123-307D	GRASS SEED HOSE, 60IN.	
9.	800-029C	CLAMP HOSE GRASS SEED	

**Legend:** ● = 1st revision; ● = 2nd revision; ● = 3rd revision; ● = use up existing stock; ⊗ = not interchangeable; ⊗ ① ● = for example: revision 2 is not interchangeable w/revision 1

*Small Seeds Y-Tube Drop*



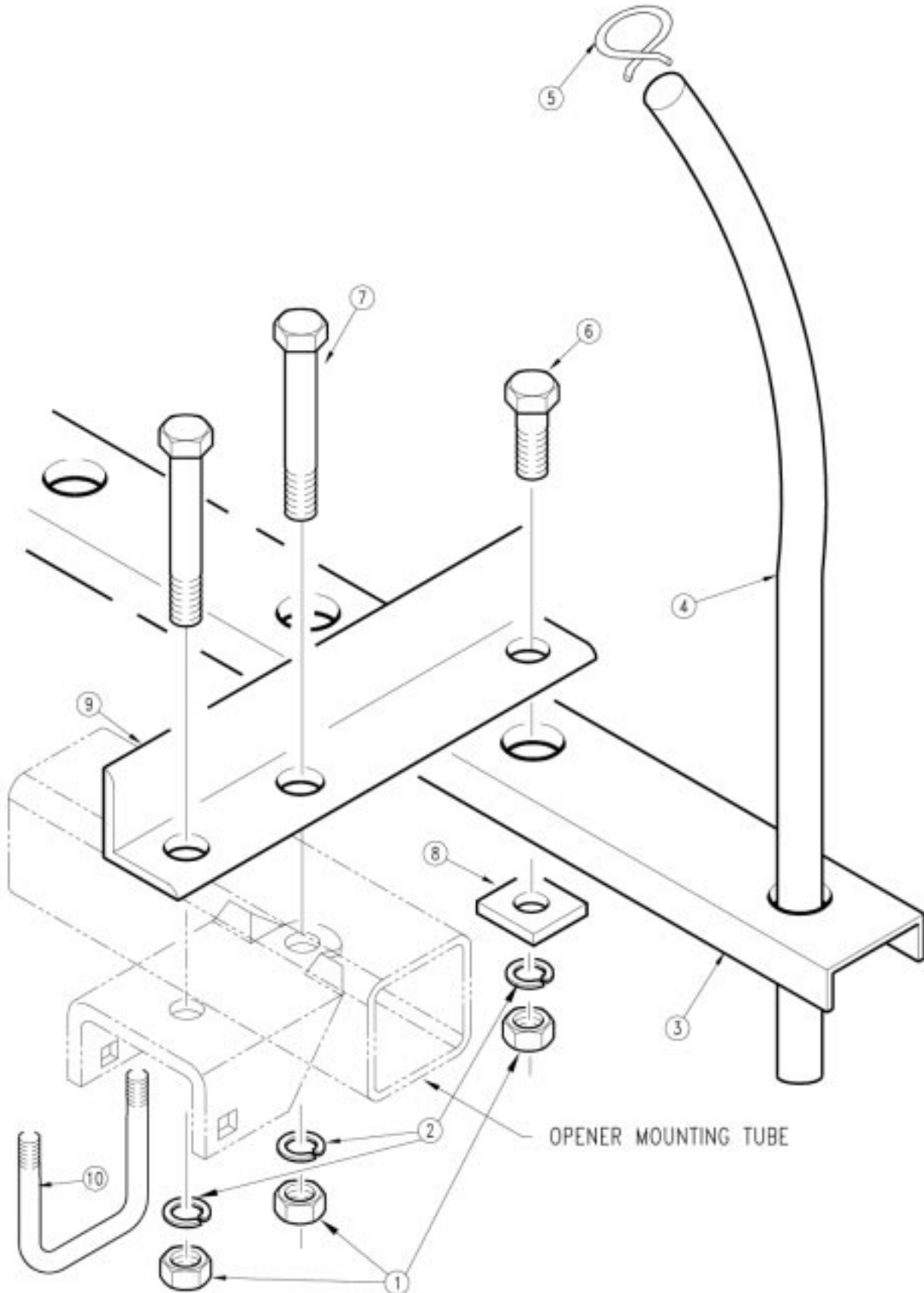
11086

**Small Seeds Y-Tube Drop**

Ref.	Part No.	Part Description	Comments
1.	817-052C	GRASS SEED DROP TUBE	
2.	123-231D	GRASS SEED DROP TUBE CONN HOSE	
3.	800-009C	CLAMP HOSE 1 5/8 NO. 26	
4.	123-232D	SML SDS HOSE 5/8 ID X 36LONG	
5.	800-029C	CLAMP HOSE GRASS SEED	

**Legend:** ① = 1st revision; ② = 2nd revision; ③ = 3rd revision; ● = use up existing stock; ⊗ = not interchangeable; ⊗ ① ② = for example: revision 2 is not interchangeable w/revision 1

*Small Seeds Hose Channel Mounting*



11416

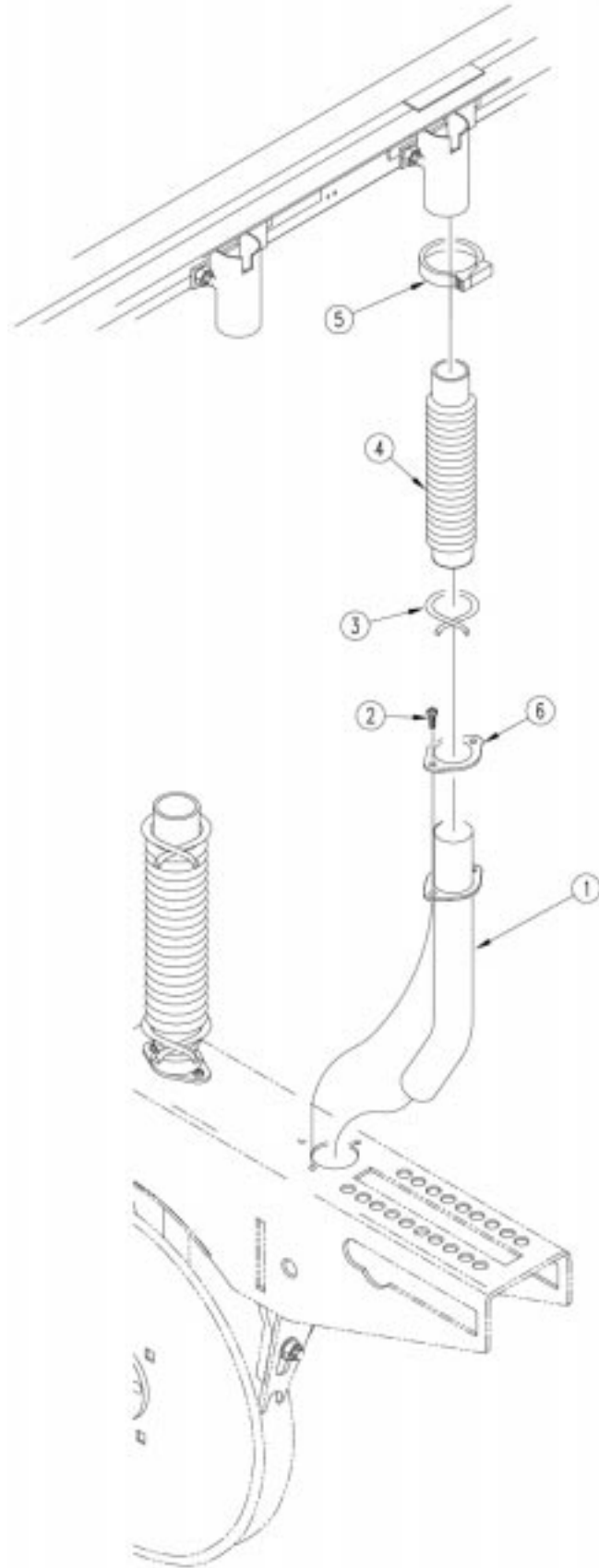


**Small Seeds Hose Channel Mounting**

Ref.	Part No.	Part Description	Comments
1.	803-020C	NUT HEX 1/2-13 PLT	
2.	804-015C	WASHER LOCK SPRING 1/2 PLT	
3.	123-147D	HOSE MOUNTING CHANNEL 6-7	
	123-148D	HOSE MOUNTING CHANNEL 6-5	
	123-151D	HOSE MOUNTING CHANNEL 6-10	
	123-178D	7-10 HOSE MOUNTING CHANNEL	
	123-179D	7 1/2-10 HOSE MOUNTING CHANNEL	
	123-180D	8-10 HOSE MOUNTING CHANNEL	
	123-181D	10-10 HOSE MOUNTING CHANNEL	
	123-182D	7-7 HOSE MOUNTING CHANNEL	
	123-183D	7 1/2-7 HOSE MOUNTING CHANNEL	
	123-184D	8-7 HOSE MOUNTING CHANNEL	
	123-185D	10-7 HOSE MOUNTING CHANNEL	
	123-186D	7-5 HOSE MOUNTING CHANNEL	
	123-187D	7 1/2-5 HOSE MOUNTING CHANNEL	
	123-188D	8-5 HOSE MOUNTING CHANNEL	
	123-189D	10-5 HOSE MOUNTING CHANNEL	
4.	123-143D	GRASS SEED HOSE	
5.	800-029C	CLAMP HOSE GRASS SEED	
6.	802-034C	HHCS 1/2-13X1 1/4 GR5	
7.	802-039C	HHCS 1/2-13X3 GR5	
8.	123-150D	CHANNEL SUPPORT BOLT TAB	
9.	123-149D	CHANNEL SUPPORT ANGLE	
	123-235D	CHANNEL SUPPORT ANGLE 27&30 3P	
10.	806-005C	U-BOLT 1/2-13 X 2 X 3 GR 5	
	806-010C	U-BOLT 1/2-13 X 2 1/2 X 3 1/2	

**Legend:** ● = 1st revision; ● = 2nd revision; ● = 3rd revision; ● = use up existing stock; ⊗ = not interchangeable; ⊗ ① ● = for example: revision 2 is not interchangeable w/revision 1

*Fertilizer Hose Retainer*



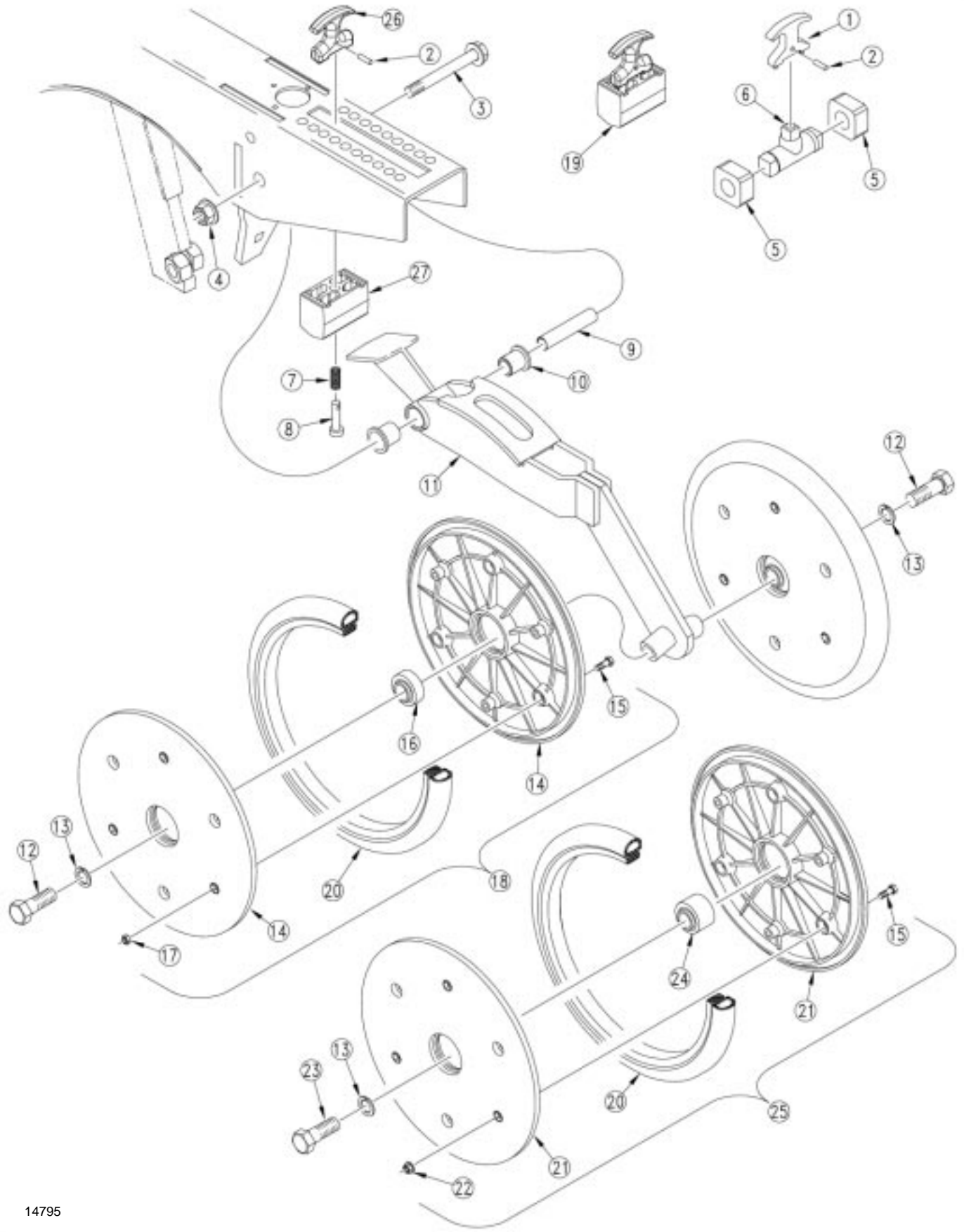
13455

**Fertilizer Hose Retainer**

Ref.	Part No.	Part Description	Comments
1.	142-701H 142-520H	FERTILIZER DROP TUBE WLDMT FERTILIZER TUBE WELDMENT	After January 1, 1995 Before Decenter 31, 1994
2.	801-002C	SCREW HEX SLT10-16X3/8P.THD CT	
3.	800-008C	CLAMP HOSE 1 1/2 NO. 24	
4.	⊗ <b>816-239C</b> ● <b>816-188C</b>	<b>SEED HOSE 56 RIBS X 11 LONG</b> <b>REPLACED BY 816-239C</b>	<b>Option 00 Straight Arm Opener</b> <b>Option 00 Straight Arm Opener</b>
	816-007C	SEED HOSE X 62 RIBS 1.5-1.25	Option 10 Parallel Link Opener
5.	800-016C	UPPER FERT HOSE CLAMP RATCHET	
6.	133-065D	SML SDS TB REINFORCEMENT RING	

**Legend:** ● = 1st revision; ⊗ = 2nd revision; ⊕ = 3rd revision; ● = use up existing stock; ⊗ = not interchangeable; ⊗ ⊕ = for example: revision 2 is not interchangeable w/revision 1

**1" x 12" Double "V" Press Wheel**



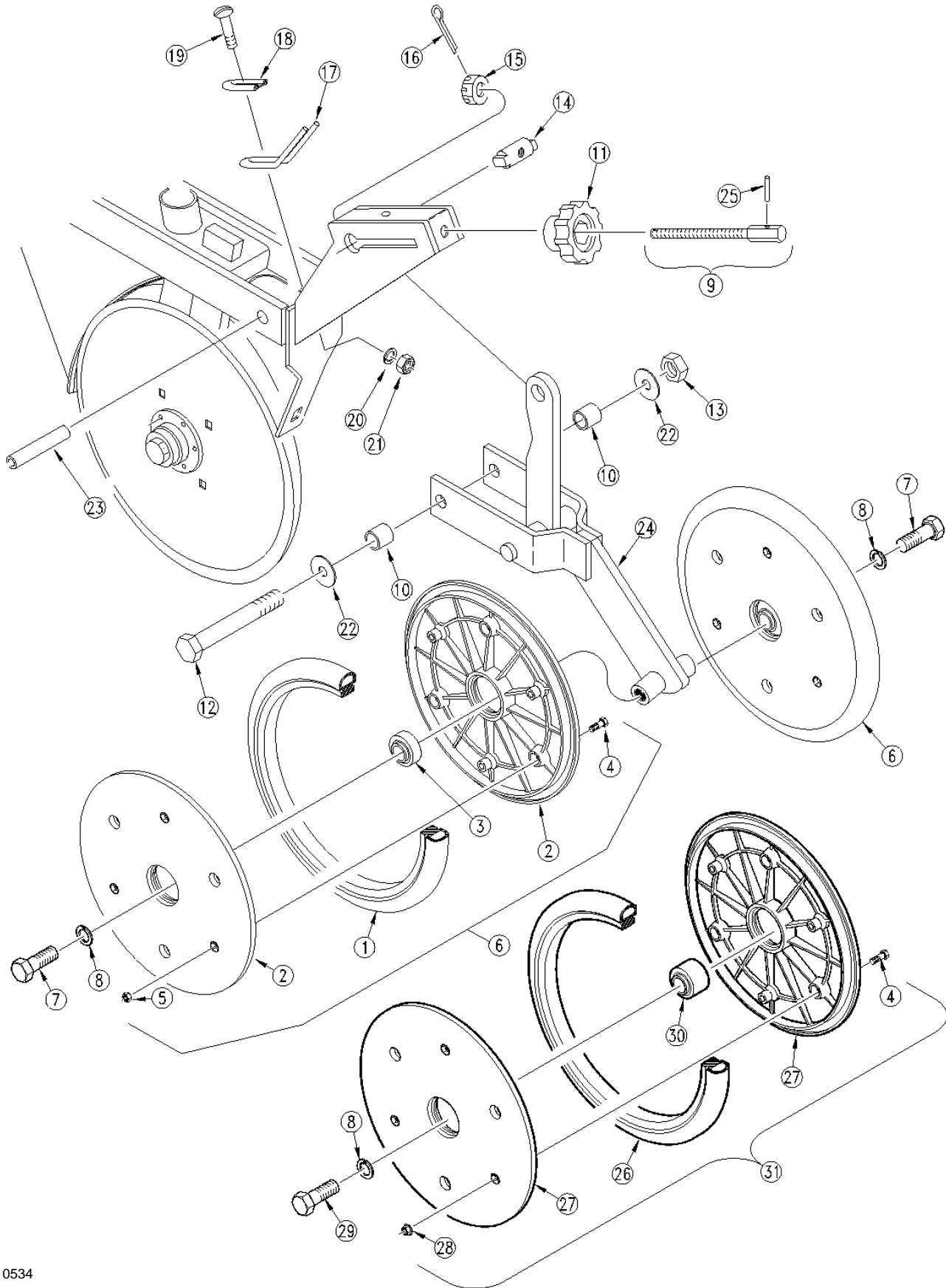
14795

## 1" x 12" Double "V" Press Wheel

Ref.	Part No.	Part Description	Comments
1.	❶ 198-104D	OBSOLETE REPLACED BY 817-328C	(S/N 3210F- for 2SF24 and 3205G- for 2SF30) See item 26.
2.	805-186C	PIN ROLL 5/32 X 5/8 PLT	
3.	802-421C	HFS 1/2-13X3 3/4 GR5 SPTHD	
4.	803-169C	NUT HEX FLG. LOCK 1/2-13 PLT.	
5.	817-132C	PRESS WHEEL ARM BUMPER	(S/N 3410F- for 2SF24 and 3205G- for 2SF30) Use only with item 6.
6.	❶ 812-194C	REPLACED BY 817-347C	(S/N 3210F- for 2SF24 and 3205G- for 2SF30). See item 27.
7.	807-106C	SPRING .540 O.D.X 1 1/4 X.054W	
8.	805-154C	PIN CLEVIS 3/8 X 2 1/8 USABLE	
9.	198-137D	PRESS WHEEL PIVOT TUBE	
10.	817-084C	PARALLEL ARM PIVOT BUSHING	
11.	⊗ ② ❸ 199-022H	98 1X12 PRESS WHEEL WELDMNT	9/1/97+ Use with item 25.
	⊗ ① ❷ 199-020H	1 X 12 PRESS WHEEL WELDMNT	(2SF24 S/N 3236F↔8/31/97 & 2SF30 S/N 3046G↔8/31/97 ) Use with item 18.
	❶ 199-017H	95 1 X 12 DBL V PW WELDMNT	(2SF24 S/N 3235F- & 2SF30 S/N 3045G-) Use with item 18.
12.	802-051C	HHCS 5/8-11X1 1/2 GR5	
13.	804-022C	WASHER LOCK SPRING 5/8 PLT	
14.	817-081C	1 X 12 MOLDED PRESS WHEEL RIM	
15.	802-005C	HHCS 1/4-20X1 GR5	
16.	188-001V	BEARING AA205DD	
17.	803-007C	NUT LOCK 1/4-20 PLT	
18.	❷ 814-143C	1 X 12 GP PRESS WHEEL ASSEMBLY	Includes items 14 through 17 & 20.
	● ❶ 122-136S	OBSOLETE REPLACED BY 814-143C	
19.	122-202S	PW ADJUSTMENT TRUNNION ASSY	Includes items 2, 7, 8, 26 and 27.
20.	814-034C	TIRE RUBBER 1 X 12	
21.	817-330C	1 X 12 PRESS WHEEL RIM HALF	
22.	803-088C	NUT HEX LOCK 1/4-20 FLG	
23.	802-058C	HHCS 5/8-11X2 1/2 GR5	
24.	822-170C	BEARING PRESS WHEEL ASSEMBLY	
25.	814-174C	1 X 12 PRESS WHL ASSY-5203BRG	9/1/97+ Includes items 13, 15 & 20 thru 24.
26.	❷ 817-328C	T-HANDLE ASSEMBLY	(S/N 3411F+ for 2SF24 and 3206G+ for 2SF30)
27.	❷ 817-347C	OPENER TRUNION	(S/N 3411F+ for 2SF24 and 3206G+ for 2SF30)

Legend: ❶ = 1st revision; ❷ = 2nd revision; ❸ = 3rd revision; ● = use up existing stock; ⊗ = not interchangeable; ⊗ ① ❷ = for example: revision 2 is not interchangeable w/revision 1

1" x 12" Double "V" Press Wheel



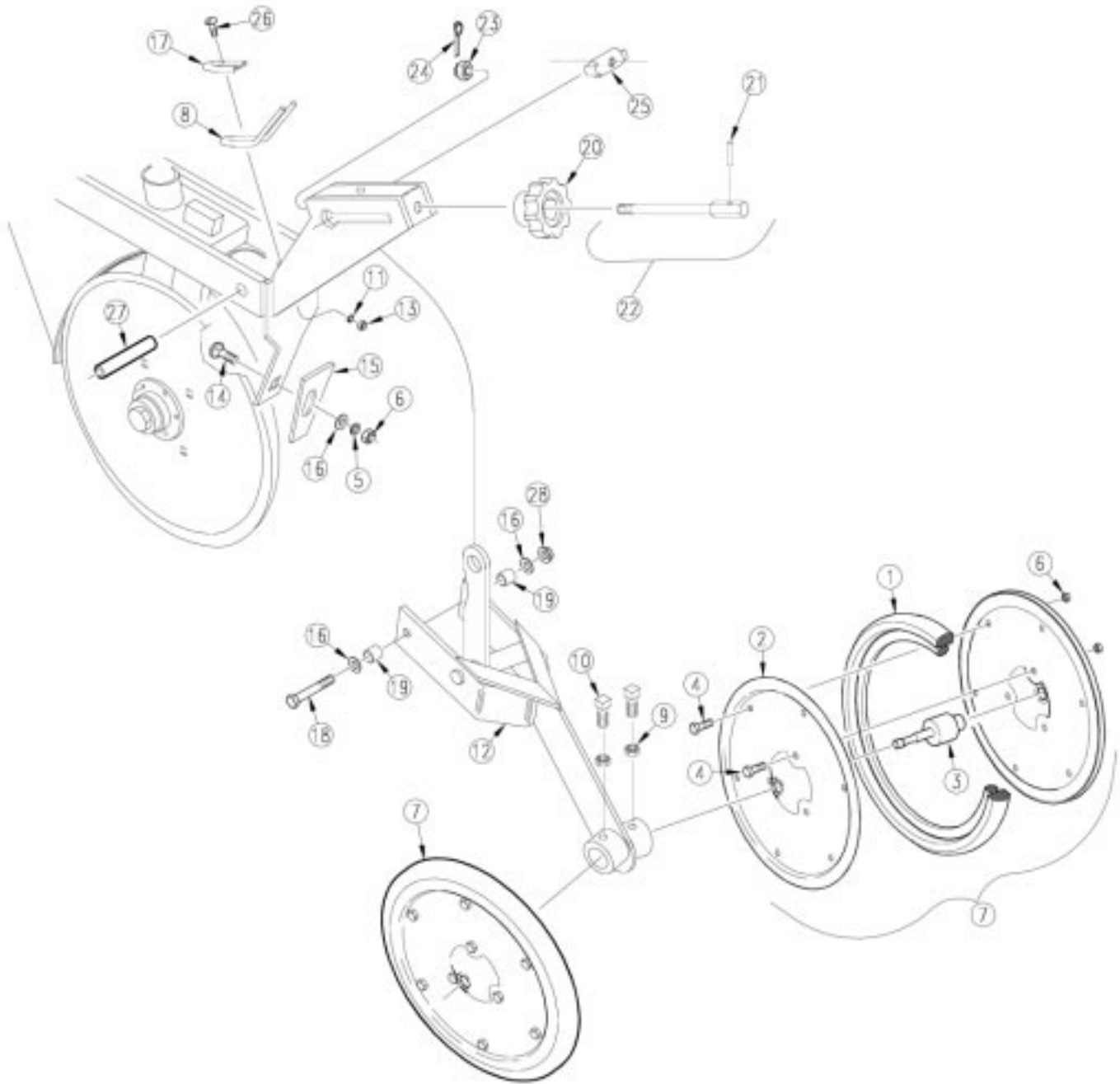
10534

**1" x 12" Double "V" Press Wheel**

Ref.	Part No.	Part Description	Comments
1.	814-034C	TIRE RUBBER 1 X 12	
2.	817-081C	1 X 12 MOLDED PRESS WHEEL RIM	
3.	188-001V	BEARING AA205DD	
4.	802-005C	HHCS 1/4-20X1 GR5	
5.	803-007C	NUT LOCK 1/4-20 PLT	
6.	⊗ 814-143C	<b>1 X 12 GP PRESS WHEEL ASSEMBLY</b>	
	● ① 122-136S	<b>OBSOLETE REPLACED BY 814-143C</b>	
7.	802-051C	HHCS 5/8-11X1 1/2 GR5	
8.	804-022C	WASHER LOCK SPRING 5/8 PLT	
9.	122-055S	SCREW ADJUSTMENT ROD	
10.	121-092D	S.R. END SPACER 4X12 & 2X13 SG	
11.	817-021C	KNOB P.W. ADJUSTMENT	
12.	802-174C	HHCS 3/8-16X4 3/4 GR5 SPTHD	
13.	803-078C	NUT LOCK 3/8-16 NYLON INSERT	
14.	122-061D	SLIDE TRUNNION	
15.	803-069C	NUT HEX SLOTTED 7/16-14 PLT	
16.	805-064C	PIN COTTER 7/64 X 1 LONG	
17.	807-066C	SCREW ADJ TENSION SPRING BENT	
18.	122-065D	TENSION SPRING RETAINER	
19.	801-018C	SCREW RD HD 1/4-20 X 5/8	
20.	804-006C	WASHER LOCK SPRING 1/4 PLT	
21.	803-006C	NUT HEX 1/4-20 PLT	
22.	804-012C	WASHER FLAT 3/8 SAE PLT	
23.	121-091D	SPRING ROD CENTER SPACER TUBE	
24.	122-132H	1 X 12 DBL V GP P.W. ARM WLDMN	
25.	805-073C	PIN ROLL 5/32 X 1	
26.	814-034C	TIRE RUBBER 1 X 12	
27.	817-330C	1 X 12 PRESS WHEEL RIM HALF	
28.	803-088C	NUT HEX LOCK 1/4-20 FLG	
29.	802-058C	HHCS 5/8-11X2 1/2 GR5	
30.	822-170C	BEARING PRESS WHEEL ASSEMBLY	
31.	814-174C	1 X 12 PRESS WHL ASSY-5203BRG	

**Legend:** ● = 1st revision; ⊗ = 2nd revision; ⊗ = 3rd revision; ● = use up existing stock; ⊗ = not interchangeable; ⊗ ① ● = for example: revision 2 is not interchangeable w/revision 1

1" x 12" Double "V" Press Wheel (1990-)



17102

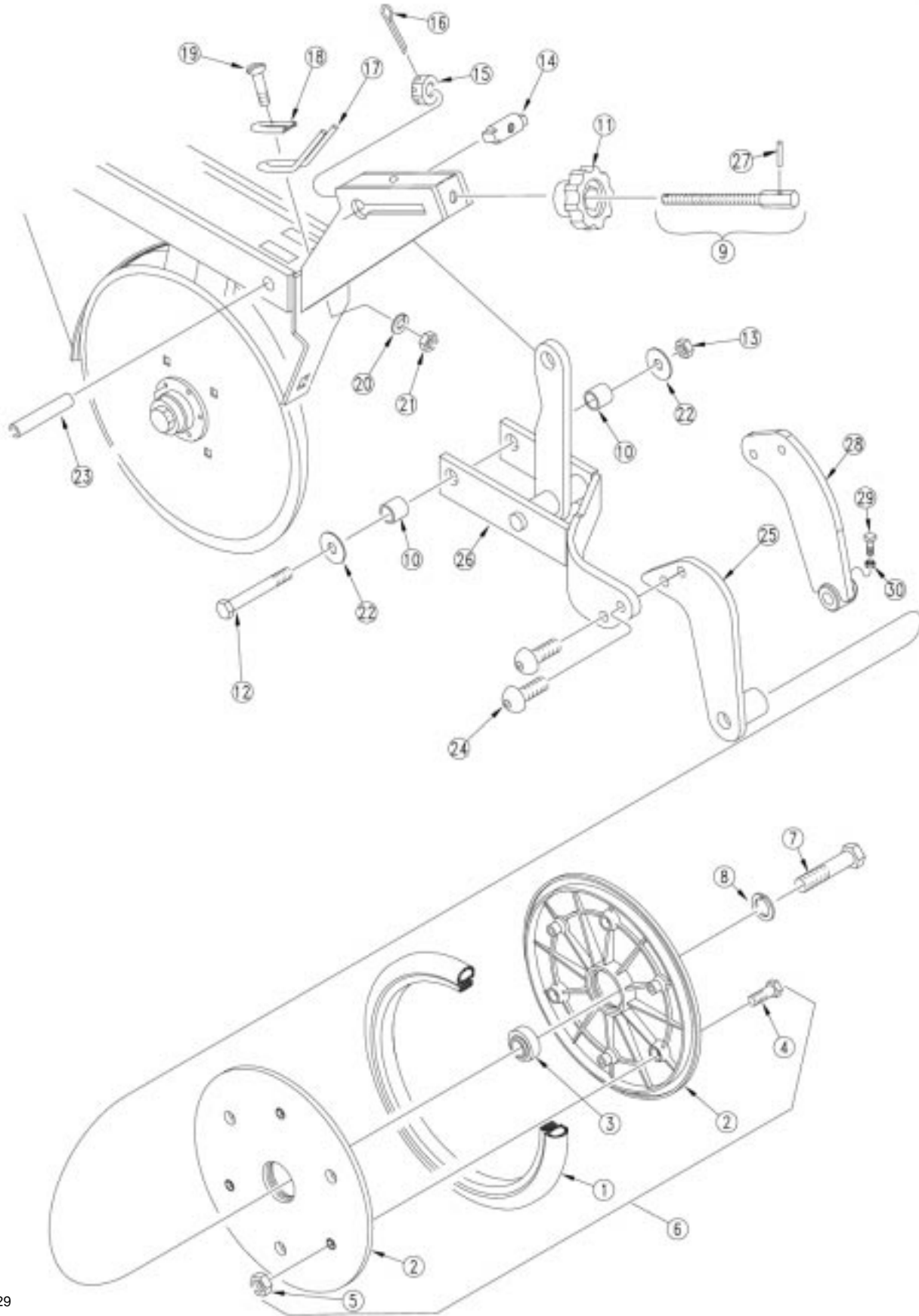


**1" x 12" Double "V" Press Wheel (1990-)**

Ref.	Part No.	Part Description	Comments
1.	814-034C	TIRE RUBBER 1 X 12	
2.	814-035C	WHEEL 1 X 12 RIM HALF	
3.	822-023C	BEARING PW SINGLE ENDED	
4.	802-007C	HHCS 5/16-18X3/4 GR5	
5.	804-013C	WASHER LOCK SPRING 3/8 PLT	
6.	803-011C	NUT LOCK 5/16-18 PLT	
7.	814-033C	1 X 12 PRESS WHEEL ASSEMBLY	
8.	807-066C	SCREW ADJ TENSION SPRING BENT	
9.	803-012C	NUT HEX JAM 3/8-16 PLT	
10.	801-007C	SCREW SET SQ HD 3/8-16X7/8 PLT	
11.	804-006C	WASHER LOCK SPRING 1/4 PLT	
12.	122-105H	1X12 DOUBLE V PW ARM WELDMENT	
13.	803-006C	NUT HEX 1/4-20 PLT	
14.	802-015C	RHSNB 3/8-16X1 GR5	
15.	107-075D	DD SCPR REPL BY 107-113D	
16.	804-012C	WASHER FLAT 3/8 SAE PLT	
17.	122-065D	TENSION SPRING RETAINER	
18.	802-174C	HHCS 3/8-16X4 3/4 GR5 SPTHD	
19.	121-093D	S.R. END SPACER 2X13 DOUBLE V	
20.	817-021C	KNOB P.W. ADJUSTMENT	
21.	805-073C	PIN ROLL 5/32 X 1	
22.	122-055S	SCREW ADJUSTMENT ROD	
23.	803-069C	NUT HEX SLOTTED 7/16-14 PLT	
24.	805-064C	PIN COTTER 7/64 X 1 LONG	
25.	122-061D	SLIDE TRUNNION	
26.	801-018C	SCREW RD HD 1/4-20 X 5/8	
27.	121-091D	SPRING ROD CENTER SPACER TUBE	
28.	803-078C	NUT LOCK 3/8-16 NYLON INSERT	

**Legend:** ● = 1st revision; ● = 2nd revision; ● = 3rd revision; ● = use up existing stock; ⊗ = not interchangeable; ⊗ ① ● = for example: revision 2 is not interchangeable w/revision 1

**1" x 12" Single Press Wheel**



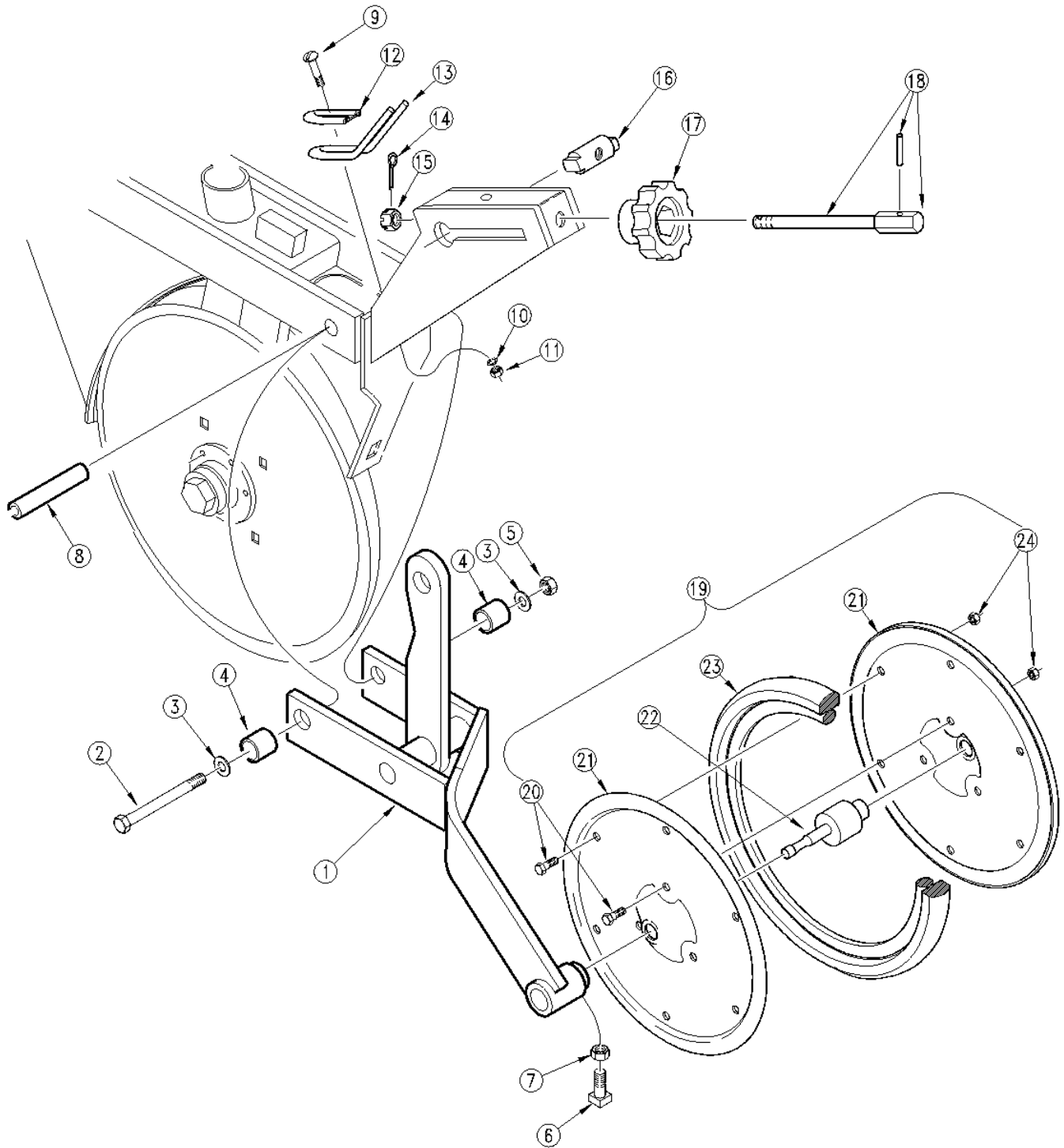
10529

**1" x 12" Single Press Wheel**

Ref.	Part No.	Part Description	Comments
1.	814-034C	TIRE RUBBER 1 X 12	
2.	817-081C	1 X 12 MOLDED PRESS WHEEL RIM	
3.	188-001V	BEARING AA205DD	
4.	802-005C	HHCS 1/4-20X1 GR5	
5.	803-007C	NUT LOCK 1/4-20 PLT	
6.	⊗ 814-143C	<b>1 X 12 GP PRESS WHEEL ASSEMBLY</b>	
	● ① 122-136S	<b>OBSOLETE REPLACED BY 814-143C</b>	
7.	802-051C	HHCS 5/8-11X1 1/2 GR5	
8.	804-022C	WASHER LOCK SPRING 5/8 PLT	
9.	122-055S	SCREW ADJUSTMENT ROD	
10.	121-092D	S.R. END SPACER 4X12 & 2X13 SG	
11.	817-021C	KNOB P.W. ADJUSTMENT	
12.	802-174C	HHCS 3/8-16X4 3/4 GR5 SPTHD	
13.	803-078C	NUT LOCK 3/8-16 NYLON INSERT	
14.	122-061D	SLIDE TRUNNION	
15.	803-069C	NUT HEX SLOTTED 7/16-14 PLT	
16.	805-064C	PIN COTTER 7/64 X 1 LONG	
17.	807-066C	SCREW ADJ TENSION SPRING BENT	
18.	122-065D	TENSION SPRING RETAINER	
19.	801-018C	SCREW RD HD 1/4-20 X 5/8	
20.	804-006C	WASHER LOCK SPRING 1/4 PLT	
21.	803-006C	NUT HEX 1/4-20 PLT	
22.	804-012C	WASHER FLAT 3/8 SAE PLT	
23.	121-091D	SPRING ROD CENTER SPACER TUBE	
24.	802-371C	HSBHCS 1/2-13X1 GR5 NYL	
25.	122-130H	1 X 12 PRESS WHEEL ARM WMNT	
26.	122-110H	COMBINATION PW ARM WLDMENT	
27.	805-073C	PIN ROLL 5/32 X 1	
28.	122-108H	1X12 & 2X13 PW ARM WELDMENT	
29.	801-007C	SCREW SET SQ HD 3/8-16X7/8 PLT	
30.	803-006C	NUT HEX 1/4-20 PLT	

**Legend:** ● = 1st revision; ⊗ = 2nd revision; ⊗ = 3rd revision; ● = use up existing stock; ⊗ = not interchangeable; ⊗ ① ⊗ = for example: revision 2 is not interchangeable w/revision 1

1" x 12" Single Press Wheel (1990-)



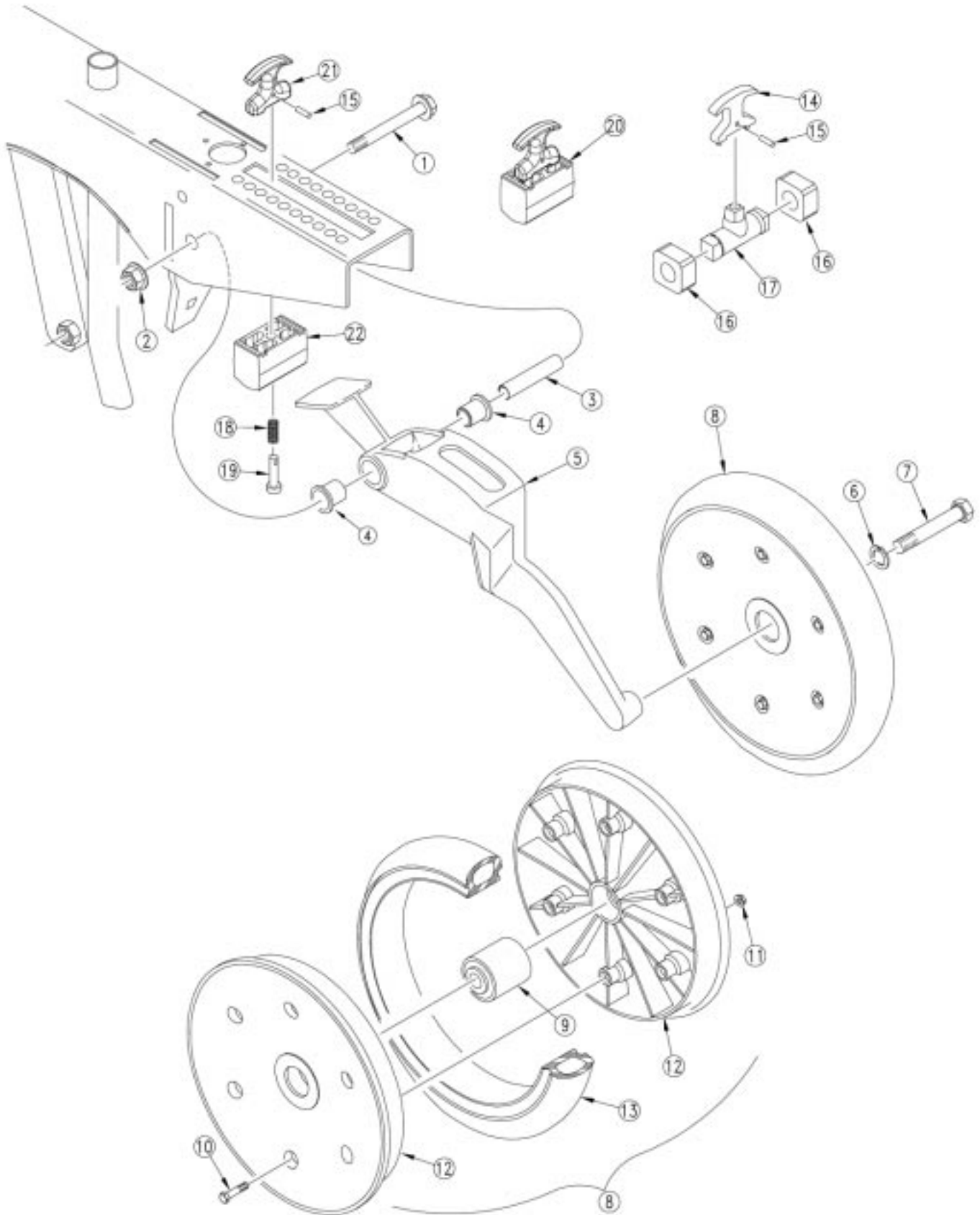
11176

**1" x 12" Single Press Wheel (1990-)**

Ref.	Part No.	Part Description	Comments
1.	122-082H	1 X 12 SINGLE PW ARM WELDMENT	
2.	802-174C	HHCS 3/8-16X4 3/4 GR5 SPTHD	
3.	804-012C	WASHER FLAT 3/8 SAE PLT	
4.	121-092D	S.R. END SPACER 4X12 & 2X13 SG	
5.	803-078C	NUT LOCK 3/8-16 NYLON INSERT	
6.	801-007C	SCREW SET SQ HD 3/8-16X7/8 PLT	
7.	803-012C	NUT HEX JAM 3/8-16 PLT	
8.	121-091D	SPRING ROD CENTER SPACER TUBE	
9.	801-018C	SCREW RD HD 1/4-20 X 5/8	
10.	804-006C	WASHER LOCK SPRING 1/4 PLT	
11.	803-006C	NUT HEX 1/4-20 PLT	
12.	122-065D	TENSION SPRING RETAINER	
13.	807-066C	SCREW ADJ TENSION SPRING BENT	
14.	805-064C	PIN COTTER 7/64 X 1 LONG	
15.	803-069C	NUT HEX SLOTTED 7/16-14 PLT	
16.	122-061D	SLIDE TRUNNION	
17.	817-021C	KNOB P.W. ADJUSTMENT	
18.	122-055S	SCREW ADJUSTMENT ROD	
19.	814-033C	1 X 12 PRESS WHEEL ASSEMBLY	
20.	802-007C	HHCS 5/16-18X3/4 GR5	
21.	814-035C	WHEEL 1 X 12 RIM HALF	
22.	822-023C	BEARING PW SINGLE ENDED	
23.	814-034C	TIRE RUBBER 1 X 12	
24.	803-011C	NUT LOCK 5/16-18 PLT	

**Legend:** ● = 1st revision; ● = 2nd revision; ● = 3rd revision; ● = use up existing stock; ⊗ = not interchangeable; ⊗ ① ● = for example: revision 2 is not interchangeable w/revision 1

2" x 13" Smooth Crown Press Wheel (2SF24 S/N 3236F+ & 2SF30 S/N 3046G+)



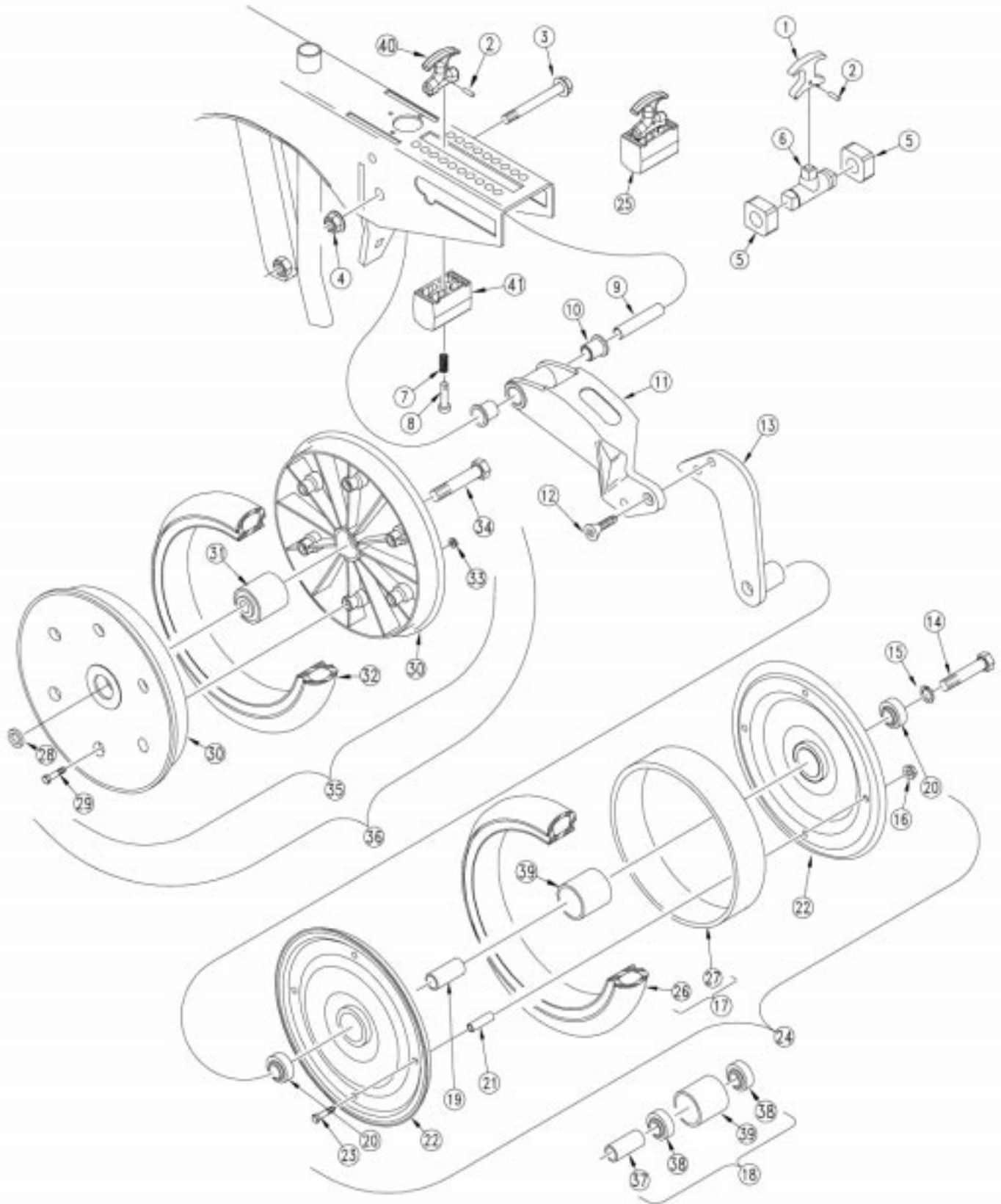
16041

**2" x 13" Smooth Crown Press Wheel (2SF24 S/N 3236F+ & 2SF30 S/N 3046G+)**

Ref.	Part No.	Part Description	Comments
1.	802-421C	HFS 1/2-13X3 3/4	
2.	803-169C	NUT HEX FLG. LOCK 1/2-13 PLT.	
3.	198-137D	PRESS WHEEL PIVOT TUBE	
4.	817-084C	PARALLEL ARM PIVOT BUSHING	
5.	⊗ 199-042D	<b>UNIVERSAL PW ARM MACH 2&amp;3X13</b>	
	Ⓜ 199-028D	<b>REPLACED BY 199-042D</b>	
6.	804-022C	WASHER LOCK SPRING 5/8 PLT	
7.	802-058C	HHCS 5/8-11X2 1/2 GR5	
8.	814-157C	2 X 13 PRESS WHEEL ASSEMBLY	Includes items 9 through 13
9.	822-170C	BEARING PRESS WHEEL ASSEMBLY	
10.	802-617C	HHFS 1/4-20 X 1 1/2 GR 5	
11.	803-088C	NUT HEX LOCK 1/4-20 FLG	
12.	817-296C	2 X 13 PRESS WHEEL RIM HALF	
13.	814-159C	2 X 13 PRESS WHEEL TIRE	
14.	Ⓜ 198-104D	<b>OBSELETE REPLACED BY 817-328C</b>	See item 21.
15.	805-186C	PIN ROLL 5/32 X 5/8 PLT	(S/N 3410F- for 2SF24 and 3205G- for 2SF30) Use only with item 17.
16.	817-132C	PRESS WHEEL ARM BUMPER	(S/N 3210F- for 2SF24 and 3205G- for 2SF30). See item 22.
17.	Ⓜ 812-194C	<b>REPLACED BY 817-347C</b>	
18.	807-106C	SPRING .540 O.D.X 1 1/4 X.054W	
19.	805-154C	PIN CLEVIS 3/8 X 2 1/8 USABLE	
20.	122-202S	PW ADJUSTMENT TRUNNION ASSY	Includes items 15, 18, 19, 21 and 22.
21.	⊗ 817-328C	<b>T-HANDLE ASSEMBLY</b>	
22.	⊗ 817-347C	<b>OPENER TRUNNION</b>	(S/N 3411F+ for 2SF24 and 3206G+ for 2SF30) Replaces items 16 and 17.

**Legend:** Ⓜ = 1st revision; ⊗ = 2nd revision; ⊕ = 3rd revision; ● = use up existing stock; ⊗ = not interchangeable; ⊗ ⊕ ⊗ = for example: revision 2 is not interchangeable w/revision 1

2" x 13" Smooth Crown Press Wheel (2SF24 S/N 3235F- & 2SF30 S/N 3045G-)



12039

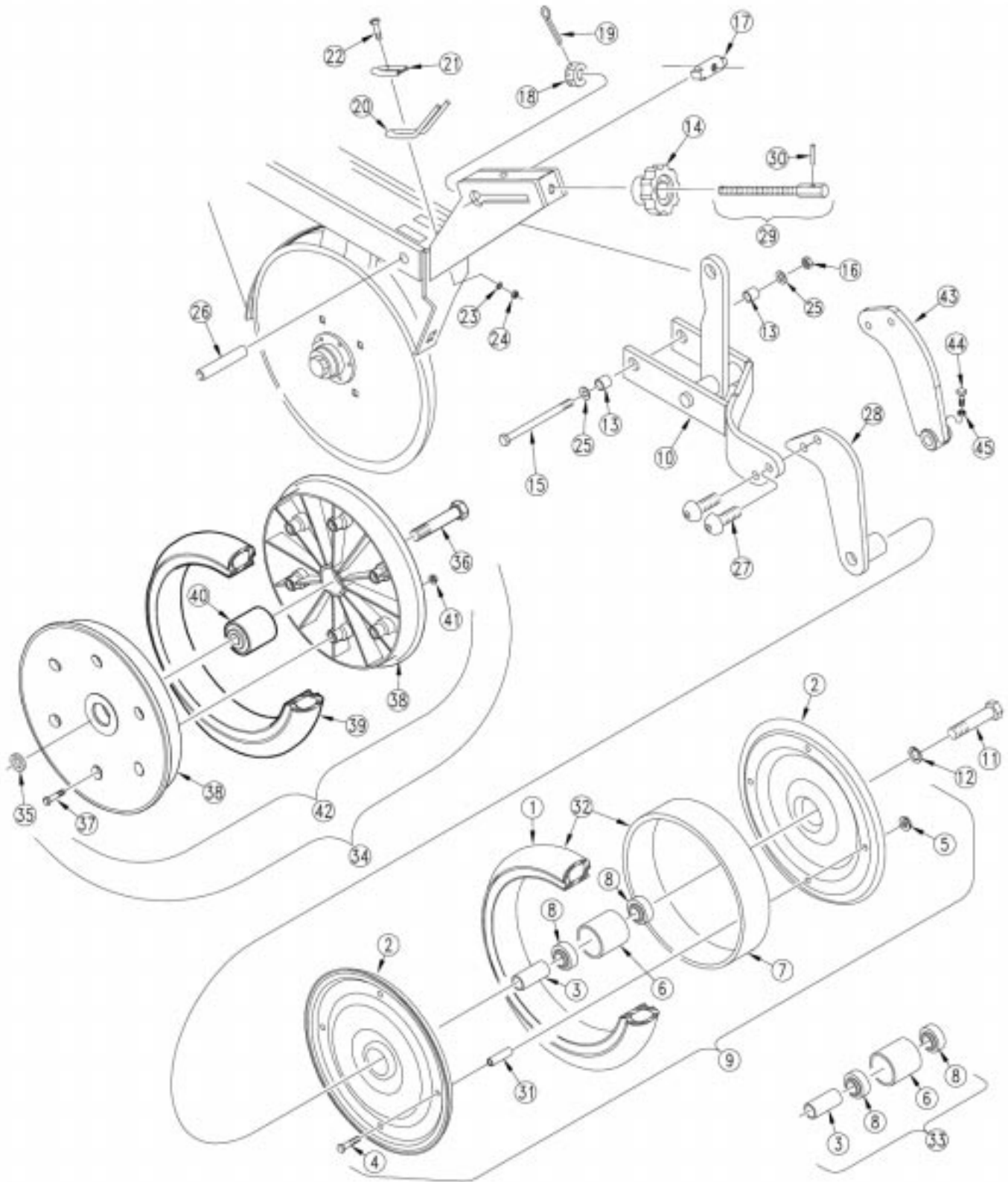


**2" x 13" Smooth Crown Press Wheel (2SF24 S/N 3235F- & 2SF30 S/N 3045G-)**

Ref.	Part No.	Part Description	Comments
1.	❶ 198-104D	<b>OBSOLETE REPLACED BY 817-328C</b>	See item 40.
2.	805-186C	PIN ROLL 5/32 X 5/8 PLT	
3.	802-421C	HFS 1/2-13X3 3/4 GR5 SPTHD	
4.	803-169C	NUT HEX FLG. LOCK 1/2-13 PLT.	
5.	817-132C	PRESS WHEEL ARM BUMPER	(S/N 3410F- for 2SF24 and 3205G- for 2SF30) Use only with 812-194C.
6.	❶ 812-194C	<b>REPLACED BY 817-347C</b>	<b>(S/N 3210F- for 2SF24 and 3205G- for 2SF30). See item 41.</b>
7.	807-106C	SPRING .540 O.D.X 1 1/4 X.054W	
8.	805-154C	PIN CLEVIS 3/8 X 2 1/8 USABLE	
9.	198-137D	PRESS WHEEL PIVOT TUBE	
10.	817-084C	PARALLEL ARM PIVOT BUSHING	
11.	199-025D	PRESS WHEEL ARM MACHINED	
12.	801-115C	SFHCS 1/2-13X1 W/ 3/8 SQ SOCKT	
13.	122-188H	PRESS WHEEL ARM END WMNT	
14.	802-059C	HHCS 5/8-11X3 GR5	
15.	804-022C	WASHER LOCK SPRING 5/8 PLT	
16.	803-177C	NUT HEX LOCK 5/16-18 FLG.	
17.	122-189V	2 X 13 TIRE & RING ASSEMBLY	
18.	122-190V	REPLACED BY COMPONENT PARTS	
19.	122-114D	2 X 13 PW BRG. SPACER TUBE	
20.	822-095C	BEARING DBL LIP 203 X 5/8 BORE	
21.	890-198C	2X13 P.W. BOLT SPACER	
22.	122-115D	13 PRESS WHEEL RIM HALF	
23.	802-013C	HHCS 5/16-18X1 3/4 GR5	
24.	122-115S	2 X 13 SMOOTH CROWN P.W. ASSY	
25.	122-202S	PW ADJUSTMENT TRUNNION ASSY	Includes items 2, 7, 8, 40 and 41.
26.	814-069C	TIRE 2 X 13 PW CROWN	
27.	817-067C	2 P.W. RIM SPACER RING	
28.	122-158D	2 X 13 ACE PRESS WHEEL SPACER	
29.	802-617C	HHFS 1/4-20 X 1 1/2 GR 5	
30.	817-296C	2 X 13 PRESS WHEEL RIM HALF	
31.	822-170C	BEARING PRESS WHEEL ASSEMBLY	
32.	814-159C	2 X 13 PRESS WHEEL TIRE	
33.	803-088C	NUT HEX LOCK 1/4-20 FLG	
34.	802-058C	HHCS 5/8-11X2 1/2 GR5	
35.	814-157C	2 X 13 PRESS WHEEL ASSEMBLY	
36.	122-233A	PLASTIC 2X13 PW FIELD ASSY	
37.	122-114D	2 X 13 PW BRG. SPACER TUBE	
38.	822-095C	BEARING DBL LIP 203 X 5/8 BORE	
39.	122-002D	2 BEARING HUB	
40.	⊗ 817-328C	<b>T-HANDLE ASSEMBLY</b>	
41.	⊗ 817-347C	<b>OPENER TRUNION</b>	<b>(S/N 3411F+ for 2SF24 and 3206G+ for 2SF30) Replaces items 5 and 6.</b>

**Legend:** ❶ = 1st revision; ❷ = 2nd revision; ❸ = 3rd revision; ● = use up existing stock; ⊗ = not interchangeable; ⊗ ❶ = for example: revision 2 is not interchangeable w/revision 1

2" x 13" Single Press Wheel



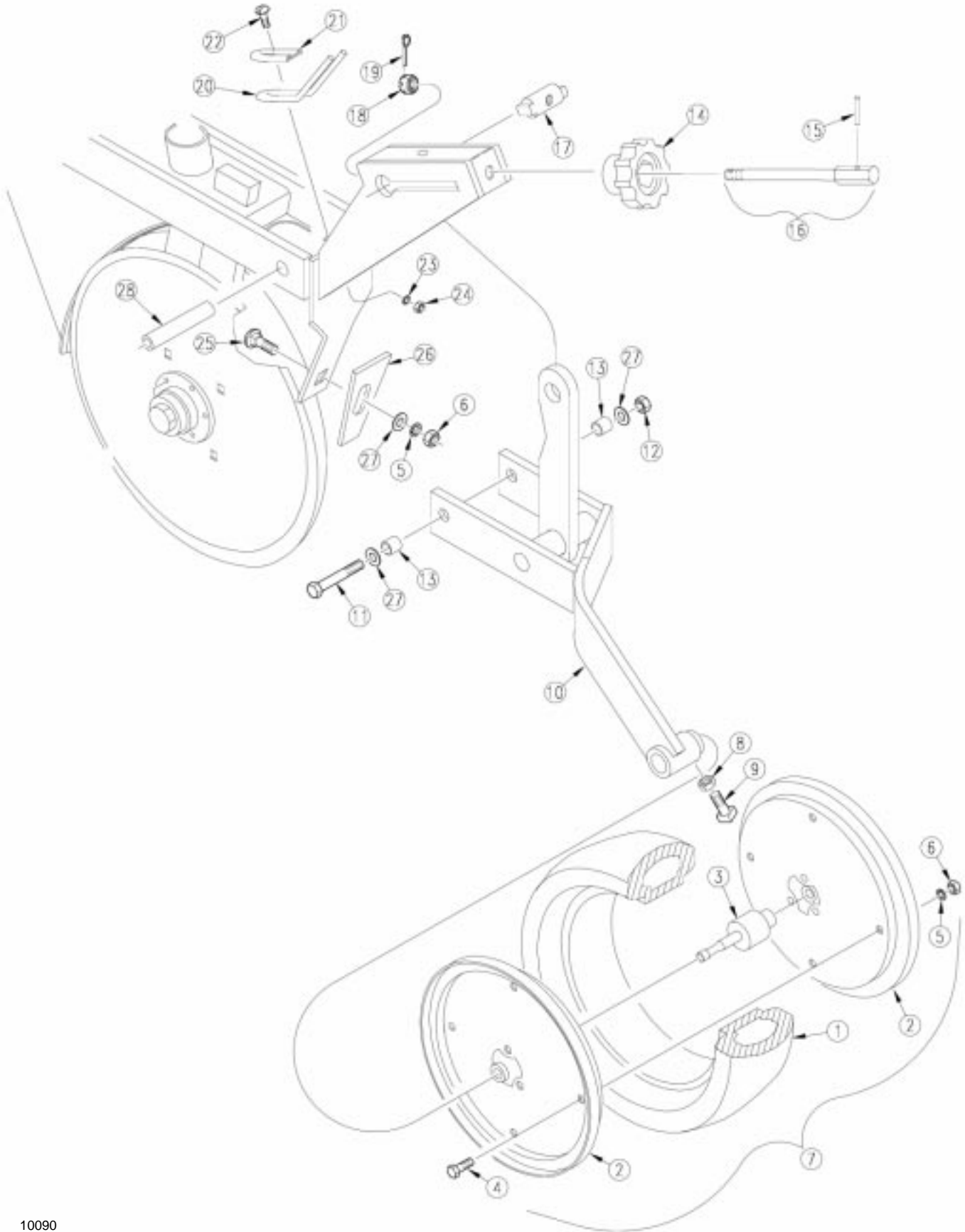
10511

**2" x 13" Single Press Wheel**

Ref.	Part No.	Part Description	Comments
1.	814-069C	TIRE 2 X 13 PW CROWN	
2.	122-115D	13 PRESS WHEEL RIM HALF	
3.	122-114D	2 X 13 PW BRG. SPACER TUBE	
4.	802-013C	HHCS 5/16-18X1 3/4 GR5	
5.	803-177C	NUT HEX LOCK 5/16-18 FLG.	
6.	122-002D	2 BEARING HUB	
7.	817-067C	2 P.W. RIM SPACER RING	
8.	822-095C	BEARING DBL LIP 203 X 5/8 BORE	
9.	122-115S	2 X 13 SMOOTH CROWN P.W. ASSY	Includes items 1 thru 8, 31 & 32.
10.	122-110H	COMBINATION PW ARM WLDMENT	
11.	802-059C	HHCS 5/8-11X3 GR5	
12.	804-022C	WASHER LOCK SPRING 5/8 PLT	
13.	121-092D	S.R. END SPACER 4X12 & 2X13 SG	
14.	817-021C	KNOB P.W. ADJUSTMENT	
15.	802-174C	HHCS 3/8-16X4 3/4 GR5 SPTHD	
16.	803-078C	NUT LOCK 3/8-16 NYLON INSERT	
17.	122-061D	SLIDE TRUNNION	
18.	803-069C	NUT HEX SLOTTED 7/16-14 PLT	
19.	805-064C	PIN COTTER 7/64 X 1 LONG	
20.	807-066C	SCREW ADJ TENSION SPRING BENT	
21.	122-065D	TENSION SPRING RETAINER	
22.	801-018C	SCREW RD HD 1/4-20 X 5/8	
23.	804-006C	WASHER LOCK SPRING 1/4 PLT	
24.	803-006C	NUT HEX 1/4-20 PLT	
25.	804-012C	WASHER FLAT 3/8 SAE PLT	
26.	121-091D	SPRING ROD CENTER SPACER TUBE	
27.	802-371C	HSBHCS 1/2-13X1 GR5 NYL	
28.	122-188H	PRESS WHEEL ARM END WMNT	
29.	122-055S	SCREW ADJUSTMENT ROD	
30.	805-073C	PIN ROLL 5/32 X 1	
31.	890-198C	2X13 P.W. BOLT SPACER	
32.	122-189V	2 X 13 TIRE & RING ASSEMBLY	
33.	122-190V	REPLACED BY COMPONENT PARTS	
34.	122-233A	PLASTIC 2X13 PW FIELD ASSY	Includes 35, 36 & 42.
35.	122-158D	2 X 13 ACE PRESS WHEEL SPACER	
36.	802-058C	HHCS 5/8-11X2 1/2 GR5	
37.	802-617C	HHFS 1/4-20 X 1 1/2 GR 5	
38.	817-296C	2 X 13 PRESS WHEEL RIM HALF	
39.	814-159C	2 X 13 PRESS WHEEL TIRE	
40.	822-170C	BEARING PRESS WHEEL ASSEMBLY	
41.	803-088C	NUT HEX LOCK 1/4-20 FLG	
42.	814-157C	2 X 13 PRESS WHEEL ASSEMBLY	
43.	122-108H	1X12 & 2X13 PW ARM WELDMENT	
44.	801-007C	SCREW SET SQ HD 3/8-16X7/8 PLT	
45.	803-006C	NUT HEX 1/4-20 PLT	

**Legend:** ● = 1st revision; ● = 2nd revision; ● = 3rd revision; ● = use up existing stock; ⊗ = not interchangeable; ⊗ ① ● = for example: revision 2 is not interchangeable w/revision 1

2" x 13" Single Press Wheel (1990-)



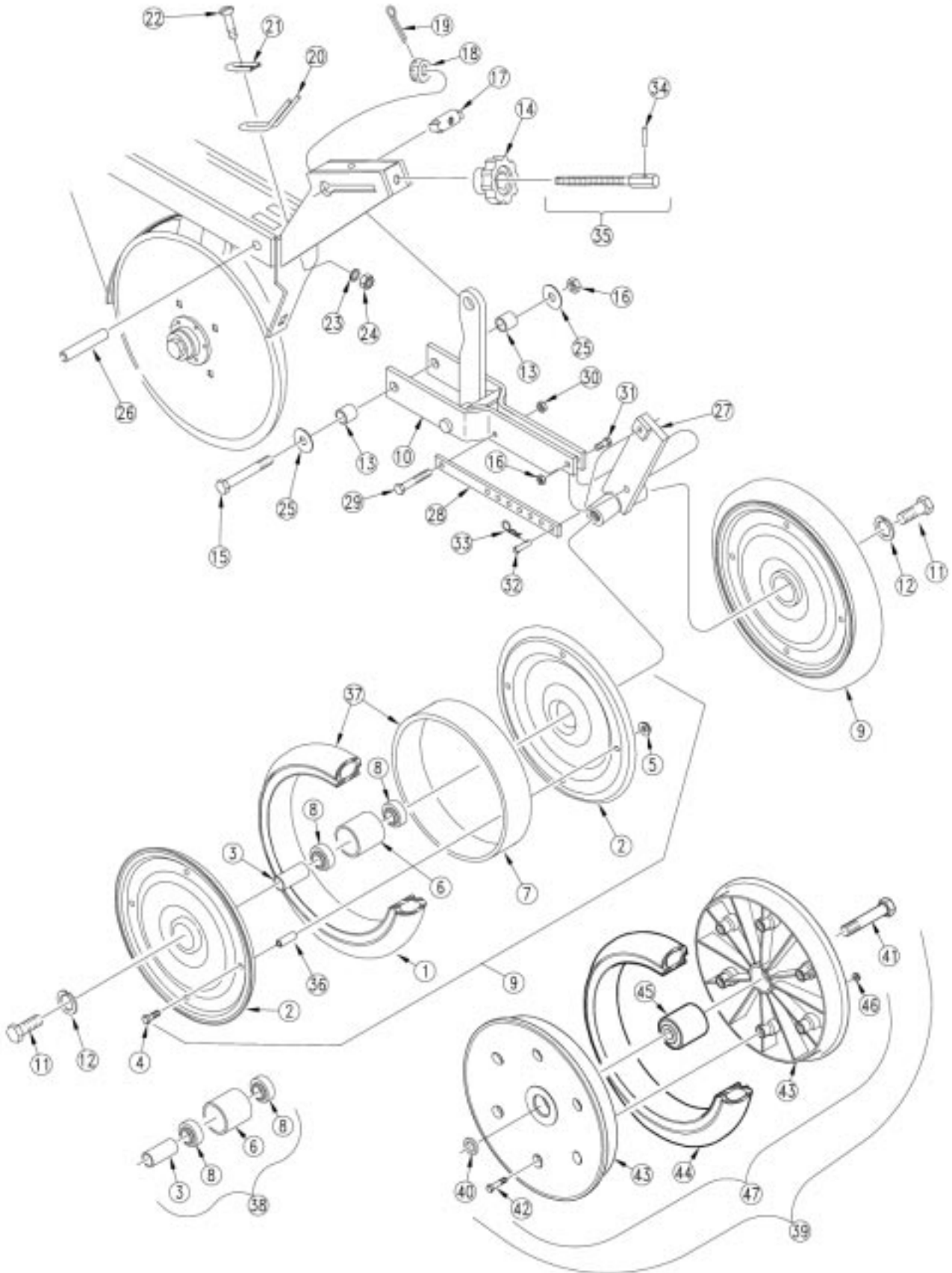
10090

**1" x 12" Single Press Wheel (1990-)**

Ref.	Part No.	Part Description	Comments
1.	814-007C	TIRE RUBBER PW 2 X 13	
2.	814-013C	2 X 13 RIM HALF	
3.	822-023C	BEARING PW SINGLE ENDED	
4.	802-007C	HHCS 5/16-18X3/4 GR5	
5.	804-013C	WASHER LOCK SPRING 3/8 PLT	
6.	803-011C	NUT LOCK 5/16-18 PLT	
7.	122-002S	PW & BRG ASSEMBLY 2X13	
8.	803-012C	NUT HEX JAM 3/8-16 PLT	
9.	801-007C	SCREW SET SQ HD 3/8-16X7/8 PLT	
10.	122-063H	2X13 SINGLE PRESS WHEEL ARM	
11.	802-174C	HHCS 3/8-16X4 3/4 GR5 SPTHD	
12.	803-078C	NUT LOCK 3/8-16 NYLON INSERT	
13.	121-092D	S.R. END SPACER 4X12 & 2X13 SG	
14.	817-021C	KNOB P.W. ADJUSTMENT	
15.	805-073C	PIN ROLL 5/32 X 1	
16.	122-055S	SCREW ADJUSTMENT ROD	
17.	122-061D	SLIDE TRUNNION	
18.	803-069C	NUT HEX SLOTTED 7/16-14 PLT	
19.	805-064C	PIN COTTER 7/64 X 1 LONG	
20.	807-066C	SCREW ADJ TENSION SPRING BENT	
21.	122-065D	TENSION SPRING RETAINER	
22.	801-018C	SCREW RD HD 1/4-20 X 5/8	
23.	804-006C	WASHER LOCK SPRING 1/4 PLT	
24.	803-006C	NUT HEX 1/4-20 PLT	
25.	802-015C	RHSNB 3/8-16X1 GR5	
26.	107-075D	DD SCPR REPL BY 107-113D	
27.	804-012C	WASHER FLAT 3/8 SAE PLT	
28.	121-091D	SPRING ROD CENTER SPACER TUBE	

**Legend:** ● = 1st revision; ● = 2nd revision; ● = 3rd revision; ● = use up existing stock; ⊗ = not interchangeable; ⊗ ① ● = for example: revision 2 is not interchangeable w/revision 1

2" x 13" Double "V" Press Wheel



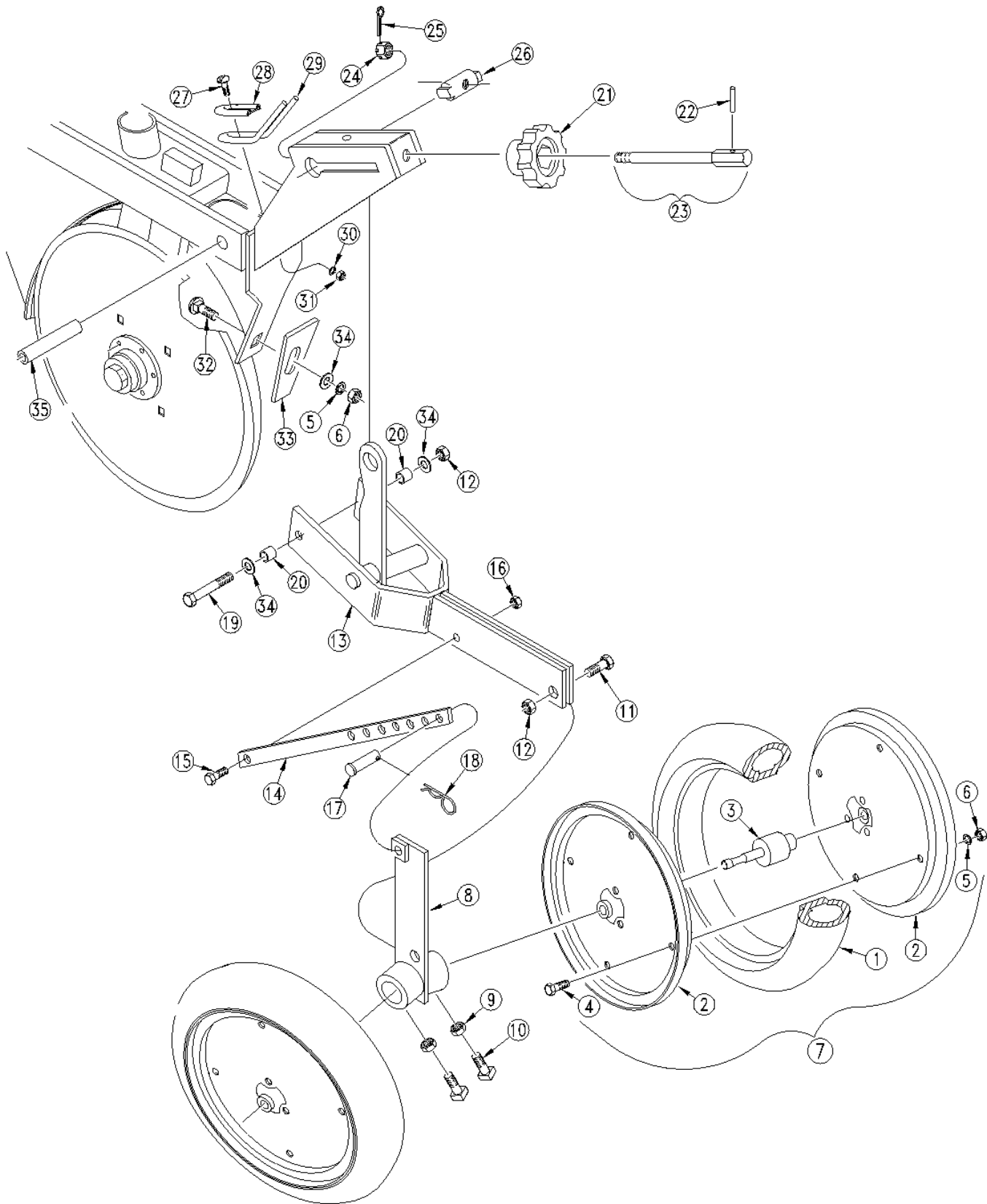
10537

## 2" x 13" Double "V" Press Wheel

Ref.	Part No.	Part Description	Comments
1.	814-069C	TIRE 2 X 13 PW CROWN	
2.	122-115D	13 PRESS WHEEL RIM HALF	
3.	122-114D	2 X 13 PW BRG. SPACER TUBE	
4.	802-013C	HHCS 5/16-18X1 3/4 GR5	
5.	803-177C	NUT HEX LOCK 5/16-18 FLG.	
6.	122-002D	2 BEARING HUB	
7.	817-067C	2 P.W. RIM SPACER RING	
8.	822-095C	BEARING DBL LIP 203 X 5/8 BORE	
9.	122-115S	2 X 13 SMOOTH CROWN P.W. ASSY	Includes items 1 thru 8, 37 & 38.
10.	122-135H	2X13 DOUBLE V PW ARM MNT WELD	
11.	802-059C	HHCS 5/8-11X3 GR5	
12.	804-022C	WASHER LOCK SPRING 5/8 PLT	
13.	121-092D	S.R. END SPACER 4X12 & 2X13 SG	
14.	817-021C	KNOB P.W. ADJUSTMENT	
15.	802-174C	HHCS 3/8-16X4 3/4 GR5 SPTHD	
16.	803-078C	NUT LOCK 3/8-16 NYLON INSERT	
17.	122-061D	SLIDE TRUNNION	
18.	803-069C	NUT HEX SLOTTED 7/16-14 PLT	
19.	805-064C	PIN COTTER 7/64 X 1 LONG	
20.	807-066C	SCREW ADJ TENSION SPRING BENT	
21.	122-065D	TENSION SPRING RETAINER	
22.	801-018C	SCREW RD HD 1/4-20 X 5/8	
23.	804-006C	WASHER LOCK SPRING 1/4 PLT	
24.	803-006C	NUT HEX 1/4-20 PLT	
25.	804-012C	WASHER FLAT 3/8 SAE PLT	
26.	121-091D	SPRING ROD CENTER SPACER TUBE	
27.	122-134H	2 X 13 DBL V NARROW ANGLE BAR	
28.	122-021D	PW ADJUSTMENT BAR 2X13 DBL V	
29.	802-012C	HHCS 5/16-18X1 1/2 GR5	
30.	803-011C	NUT LOCK 5/16-18 PLT	
31.	802-022C	HHCS 3/8-16X1 1/2 GR5	
32.	805-011C	PIN CLEVIS 5/16 X 1 13/32	
33.	805-010C	PIN HAIR COTTER .094	
34.	805-073C	PIN ROLL 5/32 X 1	
35.	122-055S	SCREW ADJUSTMENT ROD	
36.	890-198C	2X13 P.W. BOLT SPACER	
37.	122-189V	2 X 13 TIRE & RING ASSEMBLY	
38.	122-190V	REPLACED BY COMPONENT PARTS	
39.	122-233A	PLASTIC 2X13 PW FIELD ASSY	Includes 40, 41 & 47.
40.	122-158D	2 X 13 ACE PRESS WHEEL SPACER	
41.	802-058C	HHCS 5/8-11X2 1/2 GR5	
42.	802-617C	HHFS 1/4-20 X 1 1/2 GR 5	
43.	817-296C	2 X 13 PRESS WHEEL RIM HALF	
44.	814-159C	2 X 13 PRESS WHEEL TIRE	
45.	822-170C	BEARING PRESS WHEEL ASSEMBLY	
46.	803-088C	NUT HEX LOCK 1/4-20 FLG	
47.	814-157C	2 X 13 PRESS WHEEL ASSEMBLY	

Legend: ● = 1st revision; ● = 2nd revision; ● = 3rd revision; ● = use up existing stock; ⊗ = not interchangeable; ⊗ ① ● = for example: revision 2 is not interchangeable w/revision 1

2" x 13" Double "V" Press Wheel (1990-)



10091

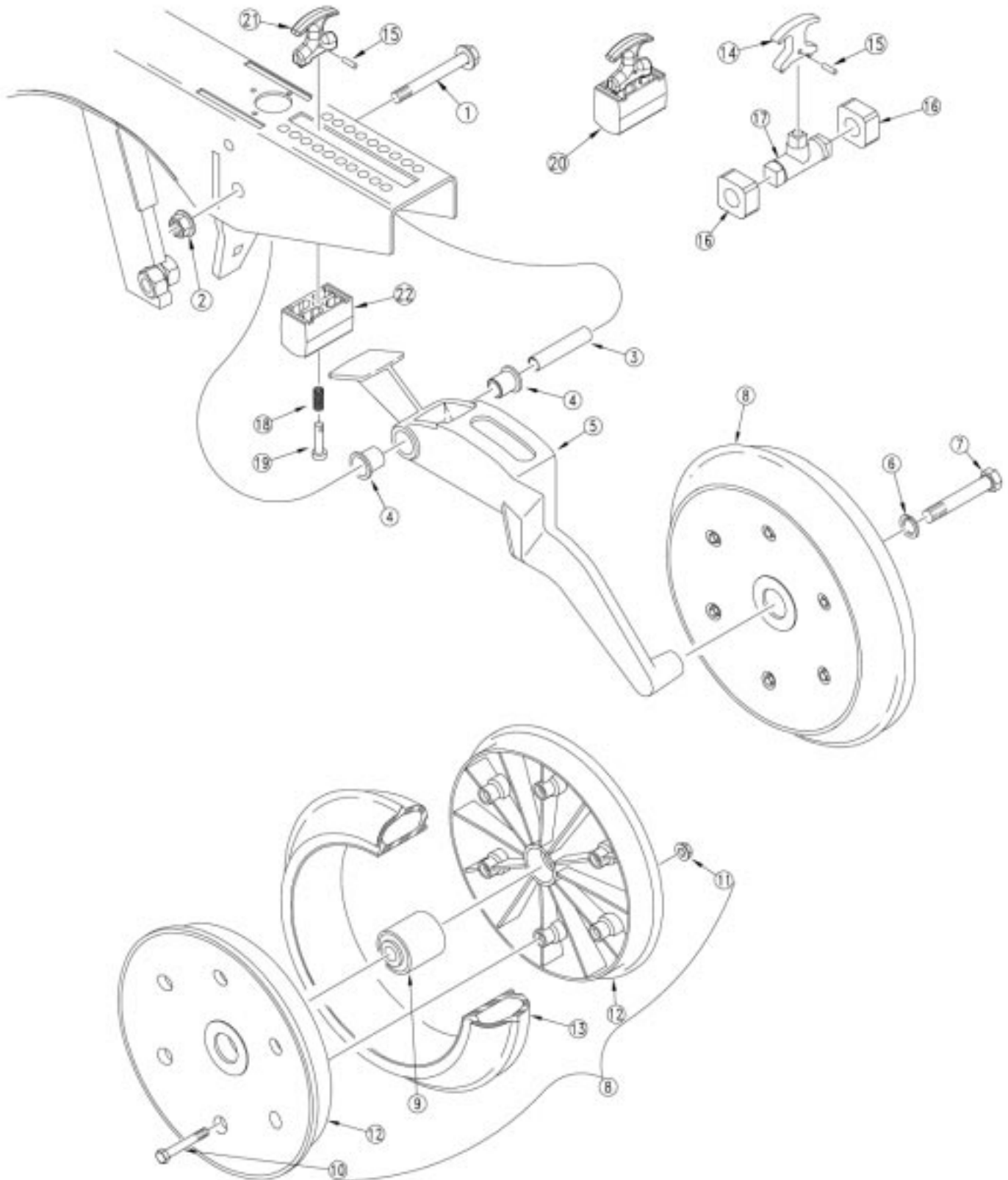


**2" x 13" Double "V" Press Wheel (1990-)**

Ref.	Part No.	Part Description	Comments
1.	814-007C	TIRE RUBBER PW 2 X 13	
2.	814-013C	2 X 13 RIM HALF	
3.	822-023C	BEARING PW SINGLE ENDED	
4.	802-007C	HHCS 5/16-18X3/4 GR5	
5.	804-013C	WASHER LOCK SPRING 3/8 PLT	
6.	803-011C	NUT LOCK 5/16-18 PLT	
7.	122-002S	PW & BRG ASSEMBLY 2X13	
8.	122-007H	DOUBLE V NARROW ANGLE BAR 2X13	
	122-008H	DOUBLE V WIDE ANGLE BAR 2X13	
9.	803-012C	NUT HEX JAM 3/8-16 PLT	
10.	801-007C	SCREW SET SQ HD 3/8-16X7/8 PLT	
11.	802-022C	HHCS 3/8-16X1 1/2 GR5	
12.	803-078C	NUT LOCK 3/8-16 NYLON INSERT	
13.	122-064H	2X13 DOUBLE 'V' PRESS WHEEL ARM	
14.	122-021D	PW ADJUSTMENT BAR 2X13 DBL V	
15.	802-012C	HHCS 5/16-18X1 1/2 GR5	
16.	803-011C	NUT LOCK 5/16-18 PLT	
17.	805-011C	PIN CLEVIS 5/16 X 1 13/32	
18.	805-010C	PIN HAIR COTTER .094	
19.	802-174C	HHCS 3/8-16X4 3/4 GR5 SPTHD	
20.	121-093D	S.R. END SPACER 2X13 DOUBLE V	
21.	817-021C	KNOB P.W. ADJUSTMENT	
22.	805-073C	PIN ROLL 5/32 X 1	
23.	122-055S	SCREW ADJUSTMENT ROD	
24.	803-069C	NUT HEX SLOTTED 7/16-14 PLT	
25.	805-064C	PIN COTTER 7/64 X 1 LONG	
26.	122-061D	SLIDE TRUNNION	
27.	801-018C	SCREW RD HD 1/4-20 X 5/8	
28.	122-065D	TENSION SPRING RETAINER	
29.	807-066C	SCREW ADJ TENSION SPRING BENT	
30.	804-006C	WASHER LOCK SPRING 1/4 PLT	
31.	803-006C	NUT HEX 1/4-20 PLT	
32.	802-015C	RHSNB 3/8-16X1 GR5	
33.	107-075D	DD SCPR REPL BY 107-113D	
34.	804-012C	WASHER FLAT 3/8 SAE PLT	
35.	121-091D	SPRING ROD CENTER SPACER TUBE	

**Legend:** ● = 1st revision; ● = 2nd revision; ● = 3rd revision; ● = use up existing stock; ⊗ = not interchangeable; ⊗ ① ● = for example: revision 2 is not interchangeable w/revision 1

**3" x 13" Single "V" Crown Press Wheel (2SF24 S/N 3236F+ & 2SF30 S/N 3046G+)**



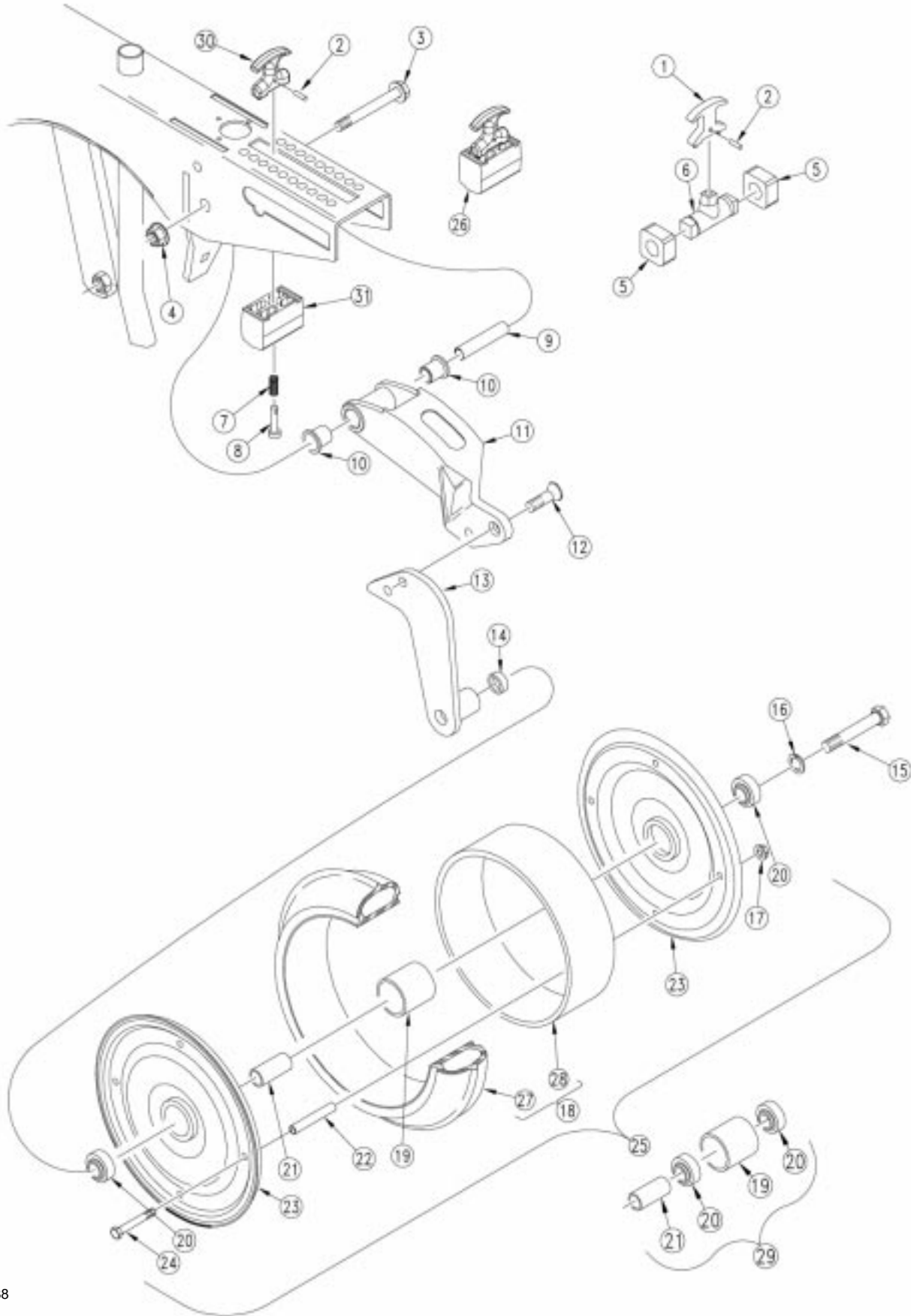
16040

**3" x 13" Single "V" Crown Press Wheel (2SF24 S/N 3236F+ & 2SF30 S/N 3046G+)**

Ref.	Part No.	Part Description	Comments
1.	802-421C	HFS 1/2-13X3 3/4	
2.	803-169C	NUT HEX FLG. LOCK 1/2-13 PLT.	
3.	198-137D	PRESS WHEEL PIVOT TUBE	
4.	817-084C	PARALLEL ARM PIVOT BUSHING	
5.	⊗ 199-042D	<b>UNIVERSAL PW ARM MACH 2&amp;3X13</b>	
	Ⓜ 199-029D	<b>REPLACED BY 199-042D</b>	
6.	804-022C	WASHER LOCK SPRING 5/8 PLT	
7.	802-058C	HHCS 5/8-11X2 1/2 GR5	
8.	814-158C	3 X 13 PRESS WHEEL ASSEMBLY	Includes items 9 through 13
9.	822-170C	BEARING PRESS WHEEL ASSEMBLY	
10.	802-617C	HHFS 1/4-20 X 1 1/2 GR 5	
11.	803-088C	NUT HEX LOCK 1/4-20 FLG	
12.	817-297C	3 X 13 PRESS WHEEL RIM HALF	
13.	814-160C	3 X 13 PRESS WHEEL TIRE	
14.	Ⓜ 198-104D	<b>OBSELETE REPLACED BY 817-328C</b>	See item 21.
15.	805-186C	PIN ROLL 5/32 X 5/8 PLT	(S/N 3410F- for 2SF24 and 3205G- for 2SF30) Use only with item 17.
16.	817-132C	PRESS WHEEL ARM BUMPER	(S/N 3210F- for 2SF24 and 3205G- for 2SF30). See item 22.
17.	Ⓜ 812-194C	<b>REPLACED BY 817-347C</b>	
18.	807-106C	SPRING .540 O.D.X 1 1/4 X.054W	
19.	805-154C	PIN CLEVIS 3/8 X 2 1/8 USABLE	
20.	122-202S	PW ADJUSTMENT TRUNNION ASSY	Includes items 15, 18, 19, 21 and 22.
21.	⊗ 817-328C	<b>T-HANDLE ASSEMBLY</b>	
22.	⊗ 817-347C	<b>OPENER TRUNNION</b>	(S/N 3411F+ for 2SF24 and 3206G+ for 2SF30) Replaces items 16 and 17.

**Legend:** Ⓜ = 1st revision; ⊗ = 2nd revision; ⊕ = 3rd revision; ● = use up existing stock; ⊗ = not interchangeable; ⊗ ⊕ ⊗ = for example: revision 2 is not interchangeable w/revision 1

3" x 13" Single "V" Crown Press Wheel (2SF24 S/N 3235F- & 2SF30 S/N 3045G-)



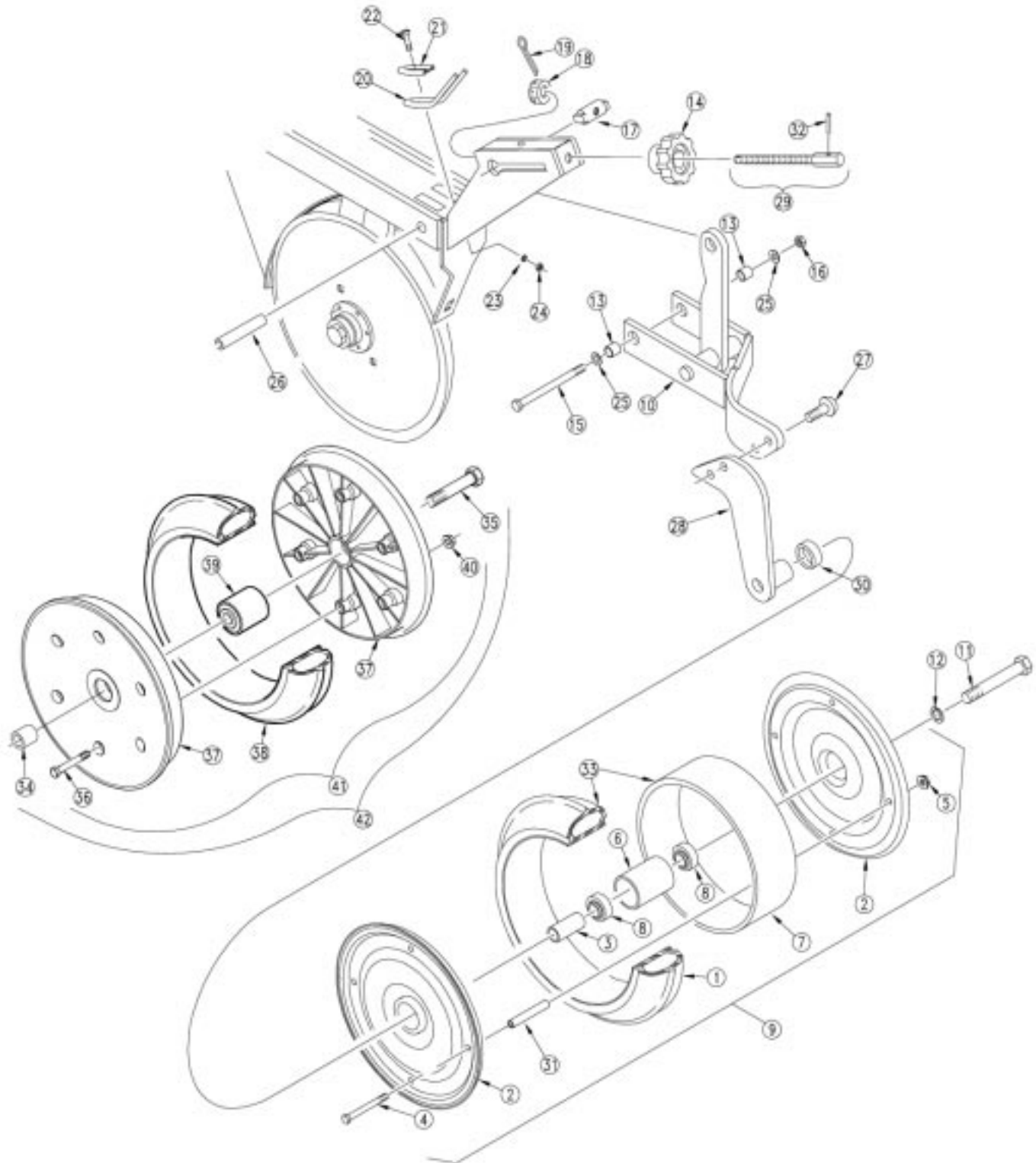
12038

## 3" x 13" Single "V" Crown Press Wheel (2SF24 S/N 3235F- &amp; 2SF30 S/N 3045G- )

Ref.	Part No.	Part Description	Comments
1.	❶ 198-104D	<b>OBSOLETE REPLACED BY 817-328C</b>	See item 30.
2.	805-186C	PIN ROLL 5/32 X 5/8 PLT	
3.	802-421C	HFS 1/2-13X3 3/4 GR5 SPTHD	
4.	803-169C	NUT HEX FLG. LOCK 1/2-13 PLT.	
5.	817-132C	PRESS WHEEL ARM BUMPER	(S/N 3410F- for 2SF24 and 3205G- for 2SF30) Use only with item 6.
6.	❶ 812-194C	<b>REPLACED BY 817-347C</b>	<b>(S/N 3210F- for 2SF24 and 3205G- for 2SF30). See item 31.</b>
7.	807-106C	SPRING .540 O.D.X 1 1/4 X.054W	
8.	805-154C	PIN CLEVIS 3/8 X 2 1/8 USABLE	
9.	198-137D	PRESS WHEEL PIVOT TUBE	
10.	817-084C	PARALLEL ARM PIVOT BUSHING	
11.	199-025D	PRESS WHEEL ARM MACHINED	
12.	801-115C	SFHCS 1/2-13X1 W/ 3/8 SQ SOCKET	
13.	122-188H	PRESS WHEEL ARM END WMNT	
14.	122-124D	3 X 13 PRESS WHEEL SPACER	
15.	802-151C	HHCS 5/8-11X4 1/4 GR5	
16.	804-022C	WASHER LOCK SPRING 5/8 PLT	
17.	803-177C	NUT HEX LOCK 5/16-18 FLG.	
18.	122-192V	3 X 13 TIRE & RING ASSEMBLY	
19.	122-001D	3 BEARING HUB	
20.	822-095C	BEARING DBL LIP 203 X 5/8 BORE	
21.	122-111D	3 X 13 P.W. BRG SPACER TUBE	
22.	890-199C	3X13 P.W. BOLT SPACER	
23.	122-115D	13 PRESS WHEEL RIM HALF	
24.	802-197C	HHCS 5/16-18X2 3/4 GR5	
25.	122-116S	3 X 13 V CROWN P.W. ASSY	
26.	122-202S	PW ADJUSTMENT TRUNNION ASSY	Includes items 2, 7, 8, 30 and 31.
27.	814-068C	TIRE 3 X 13 PW V CROWN	
28.	817-065C	3 P.W. RIM SPACER RING	
29.	122-191V	REPLACED BY COMPONENT PARTS	
30.	❷ 817-328C	<b>T-HANDLE ASSEMBLY</b>	
31.	❷ 817-347C	<b>OPENER TRUNNION</b>	<b>(S/N 3411F+ for 2SF24 and 3206G+ for 2SF30) Replaces items 5 and 6.</b>

Legend: ❶ = 1st revision; ❷ = 2nd revision; ❸ = 3rd revision; ● = use up existing stock; ⊗ = not interchangeable; ⊗ ❶ = for example: revision 2 is not interchangeable w/revision 1

**3" x 13" Single "V" Crown Press Wheel**



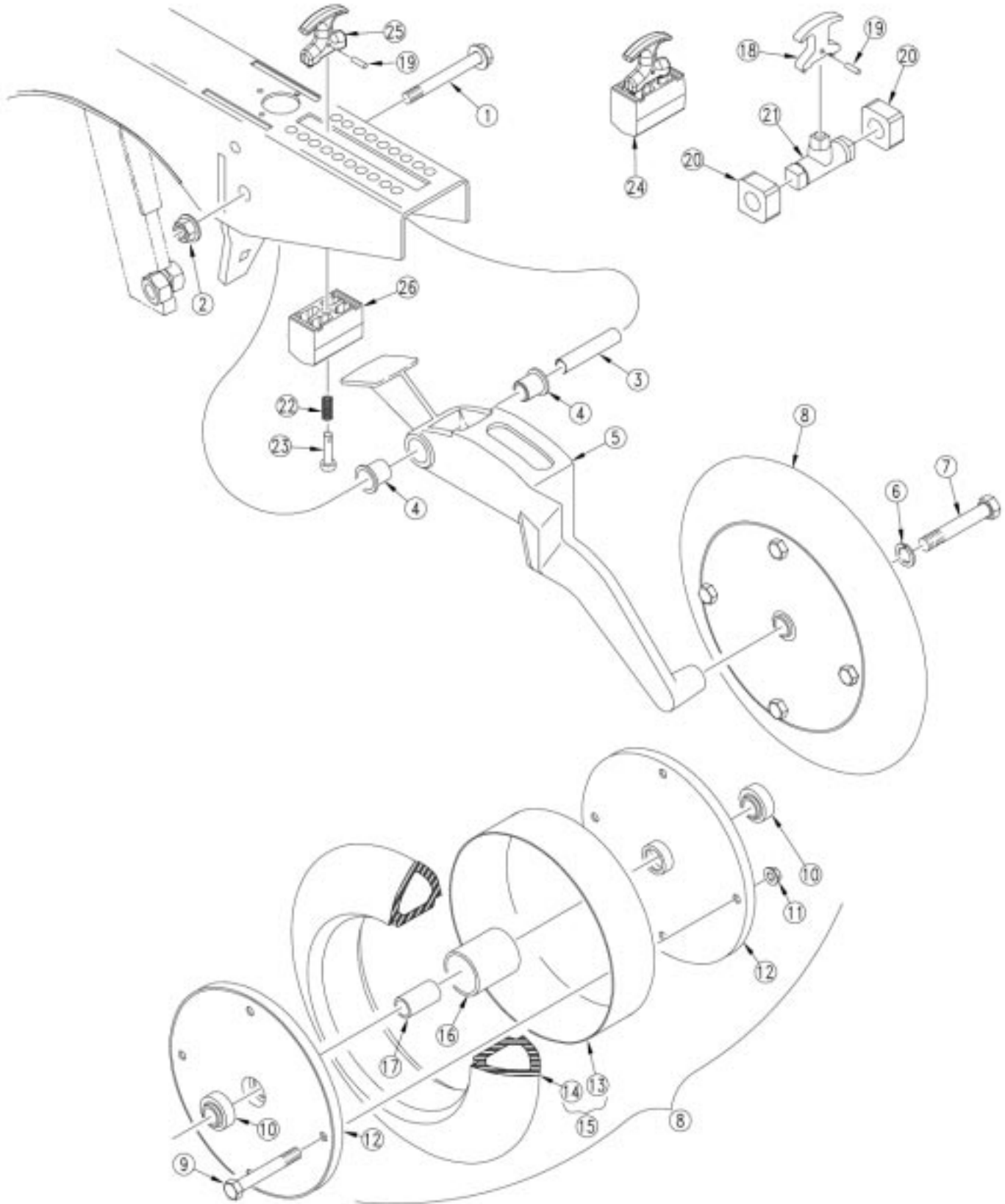
10514

**3" x 13" Single "V" Crown Press Wheel**

Ref.	Part No.	Part Description	Comments
1.	814-068C	TIRE 3 X 13 PW V CROWN	
2.	122-115D	13 PRESS WHEEL RIM HALF	
3.	122-111D	3 X 13 P.W. BRG SPACER TUBE	
4.	802-197C	HHCS 5/16-18X2 3/4 GR5	
5.	803-177C	NUT HEX LOCK 5/16-18 FLG	
6.	122-001D	3 BEARING HUB	
7.	817-065C	3 P.W. RIM SPACER RING	
8.	822-095C	BEARING DBL LIP 203 X 5/8 BORE	
9.	122-116S	3 X 13 V CROWN P.W. ASSY	Includes items 2 thru 8, 31 & 33.
10.	122-110H	COMBINATION PW ARM WLDMENT	
11.	802-151C	HHCS 5/8-11X4 1/4 GR5	
12.	804-022C	WASHER LOCK SPRING 5/8 PLT	
13.	121-092D	S.R. END SPACER 4X12 & 2X13 SG	
14.	817-021C	KNOB P.W. ADJUSTMENT	
15.	802-174C	HHCS 3/8-16X4 3/4 GR5 SPTHD	
16.	803-078C	NUT LOCK 3/8-16 NYLON INSERT	
17.	122-061D	SLIDE TRUNNION	
18.	803-069C	NUT HEX SLOTTED 7/16-14 PLT	
19.	805-064C	PIN COTTER 7/64 X 1 LONG	
20.	807-066C	SCREW ADJ TENSION SPRING BENT	
21.	122-065D	TENSION SPRING RETAINER	
22.	801-018C	SCREW RD HD 1/4-20 X 5/8	
23.	804-006C	WASHER LOCK SPRING 1/4 PLT	
24.	803-006C	NUT HEX 1/4-20 PLT	
25.	804-012C	WASHER FLAT 3/8 SAE PLT	
26.	121-091D	SPRING ROD CENTER SPACER TUBE	
27.	802-371C	HSBHCS 1/2-13X1 GR5 NYL	
28.	122-188H	PRESS WHEEL ARM END WMNT	
29.	122-055S	SCREW ADJUSTMENT ROD	
30.	122-124D	3 X 13 PRESS WHEEL SPACER	
31.	890-199C	3X13 P.W. BOLT SPACER	
32.	805-073C	PIN ROLL 5/32 X 1	
33.	122-192V	3 X 13 TIRE & RING ASSEMBLY	
34.	122-159D	3 X 13 ACE PRESS WHEEL SPACER	
35.	802-162C	HHCS 5/8-11X3 1/2 GR5	
36.	802-618C	HHFS 1/4-20 X 2 GR 5	
37.	817-297C	3 X 13 PRESS WHEEL RIM HALF	
38.	814-160C	3 X 13 PRESS WHEEL TIRE	
39.	822-170C	BEARING PRESS WHEEL ASSEMBLY	
40.	803-088C	NUT HEX LOCK 1/4-20 FLG	
41.	814-158C	3 X 13 PRESS WHEEL ASSEMBLY	Includes items 36 thru 40.
42.	122-234A	PLASTIC 3X13 PW FIELD ASSY	Includes items 34, 35 & 41.

**Legend:** ● = 1st revision; ● = 2nd revision; ● = 3rd revision; ● = use up existing stock; ⊗ = not interchangeable; ⊗ ① ● = for example: revision 2 is not interchangeable w/revision 1

3" x 14" Peaked Press Wheel (2SF24 S/N 3236F+ & 2SF30 S/N 3046G+)



16042

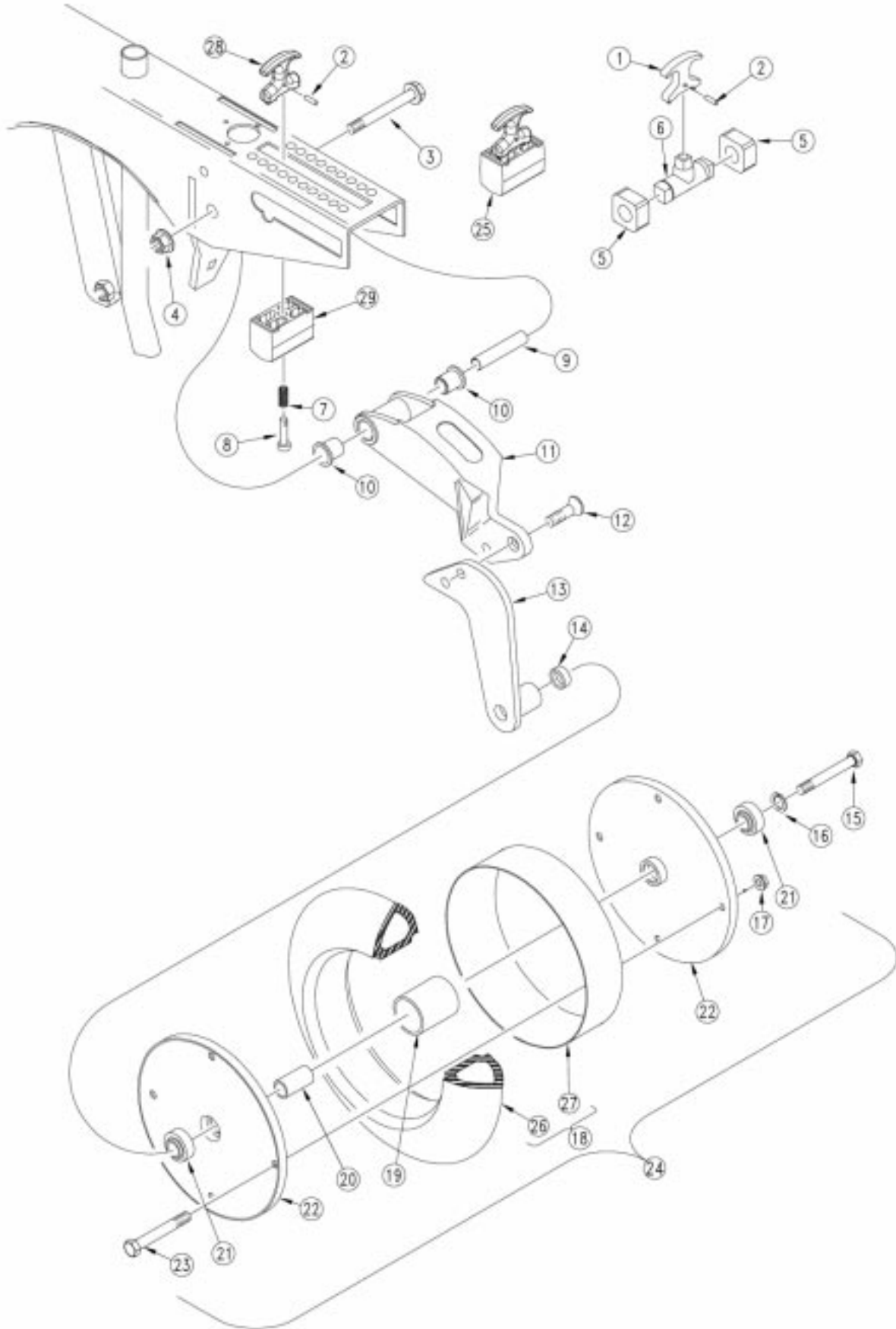


**3" x 14" Peaked Press Wheel (2SF24 S/N 3236F+ & 2SF30 S/N 3046G+)**

Ref.	Part No.	Part Description	Comments
1.	802-421C	HFS 1/2-13X3 3/4 GR5 SPTHD	
2.	803-169C	NUT HEX FLG. LOCK 1/2-13 PLT	
3.	198-137D	PRESS WHEEL PIVOT TUBE	
4.	817-084C	PARALLEL ARM PIVOT BUSHING	
5.	199-030D	3 X 14 PRESS WHEEL ARM	
6.	804-022C	WASHER LOCK SPRING 5/8 PLT	
7.	802-059C	HHCS 5/8-11X3 GR5	
8.	122-117S	3 X 14 PEAKED P.W. ASSEMBLY	Includes items 9 through 17
9.	802-197C	HHCS 5/16-18X2 3/4 GR5	
10.	822-095C	BEARING DBL LIP 203 X 5/8 BORE	
11.	803-177C	NUT HEX LOCK 5/16-18 FLG.	
12.	122-041D	4X12 PW RIM HALF	
13.	817-063C	3 X 14 RIM SPACER RING	
14.	814-067C	TIRE 3 X 14 PW PEAKED	
15.	122-198V	3 X 14 TIRE & RING ASSEMBLY	Includes items 13 and 14
16.	817-062C	LARGE SPACER TUBE	
17.	122-110D	SMALL SPACER TUBE	
18.	❶ 198-104D	<b>OBSOLETE REPLACED BY 817-328C</b>	<b>See item 25.</b>
19.	805-186C	PIN ROLL 5/32 X 5/8 PLT	
20.	817-132C	PRESS WHEEL ARM BUMPER	(S/N 3410F- for 2SF24 and 3205G- for 2SF30) Use only with item 21.
21.	❶ 812-194C	<b>REPLACED BY 817-347C</b>	<b>(S/N 3210F- for 2SF24 and 3205G- for 2SF30). See item 26.</b>
22.	807-106C	SPRING .540 O.D.X 1 1/4 X.054W	
23.	805-154C	PIN CLEVIS 3/8 X 2 1/8 USABLE	
24.	122-202S	PW ADJUSTMENT TRUNNION ASSY	Includes items 18, 22, 23, 25 and 26.
25.	❷ 817-328C	<b>T-HANDLE ASSEMBLY</b>	
26.	❷ 817-347C	<b>OPENER TRUNION</b>	<b>(S/N 3411F+ for 2SF24 and 3206G+ for 2SF30) Replaces items 20 and 21.</b>

**Legend:** ❶ = 1st revision; ❷ = 2nd revision; ❸ = 3rd revision; ● = use up existing stock; ⊗ = not interchangeable; ⊗ ❶ ❷ = for example: revision 2 is not interchangeable w/revision 1

3" x 14" Peaked Press Wheel (2SF24 S/N 3235F- & 2SF30 S/N 3045G-)



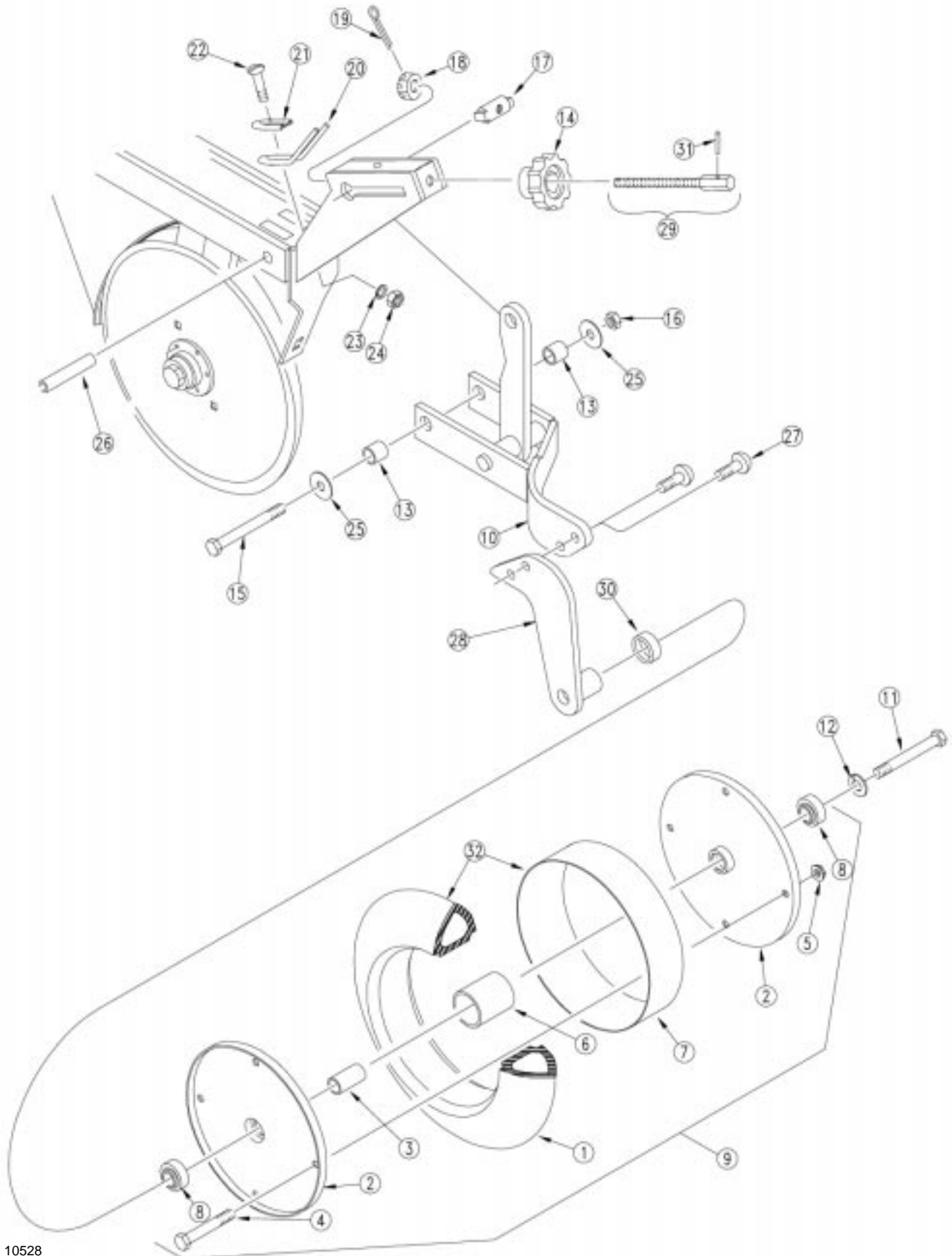
12037

**3" x 14" Peaked Press Wheel (2SF24 S/N 3235F- & 2SF30 S/N 3045G-)**

Ref.	Part No.	Part Description	Comments
1.	❶ 198-104D	<b>OBSOLETE REPLACED BY 817-328C</b>	See item 28.
2.	805-186C	PIN ROLL 5/32 X 5/8 PLT	
3.	802-421C	HFS 1/2-13X3 3/4 GR5 SPTH	
4.	803-169C	NUT HEX FLG. LOCK 1/2-13 PLT.	
5.	817-132C	PRESS WHEEL ARM BUMPER	(S/N 3410F- for 2SF24 and 3205G- for 2SF30) Use only with item 6.
6.	❶ 812-194C	<b>REPLACED BY 817-347C</b>	<b>(S/N 3210F- for 2SF24 and 3205G- for 2SF30). See item 29.</b>
7.	807-106C	SPRING .540 O.D.X 1 1/4 X.054W	
8.	805-154C	PIN CLEVIS 3/8 X 2 1/8 USABLE	
9.	198-137D	PRESS WHEEL PIVOT TUBE	
10.	817-084C	PARALLEL ARM PIVOT BUSHING	
11.	199-025D	PRESS WHEEL ARM MACHINED	
12.	801-115C	SFHCS 1/2-13X1 W/ 3/8 SQ SOCKT	
13.	122-188H	PRESS WHEEL ARM END WMNT	
14.	122-125D	3 X 14 PRESS WHEEL SPACER	
15.	802-060C	HHCS 5/8-11X4 GR5	
16.	804-022C	WASHER LOCK SPRING 5/8 PLT	
17.	803-177C	NUT HEX LOCK 5/16-18 FLG.	
18.	122-198V	3 X 14 TIRE & RING ASSEMBLY	
19.	817-062C	LARGE SPACER TUBE	
20.	122-110D	SMALL SPACER TUBE	
21.	822-095C	BEARING DBL LIP 203 X 5/8 BORE	
22.	122-041D	4X12 PW RIM HALF	
23.	802-197C	HHCS 5/16-18X2 3/4 GR5	
24.	122-117S	3 X 14 PEAKED P.W. ASSEMBLY	
25.	122-202S	PW ADJUSTMENT TRUNNION ASSY	Includes items 2, 7, 8, 28 and 29.
26.	814-067C	TIRE 3 X 14 PW PEAKED	
27.	817-063C	3 X 14 RIM SPACER RING	
28.	⊗ 817-328C	<b>T-HANDLE ASSEMBLY</b>	
29.	⊗ 817-347C	<b>OPENER TRUNION</b>	<b>(S/N 3411F+ for 2SF24 and 3206G+ for 2SF30) Replaces items 5 and 6.</b>

**Legend:** ❶ = 1st revision; ❷ = 2nd revision; ❸ = 3rd revision; ● = use up existing stock; ⊗ = not interchangeable; ⊗ ❶ = for example: revision 2 is not interchangeable w/revision 1

3" x 14" Peaked Press Wheel



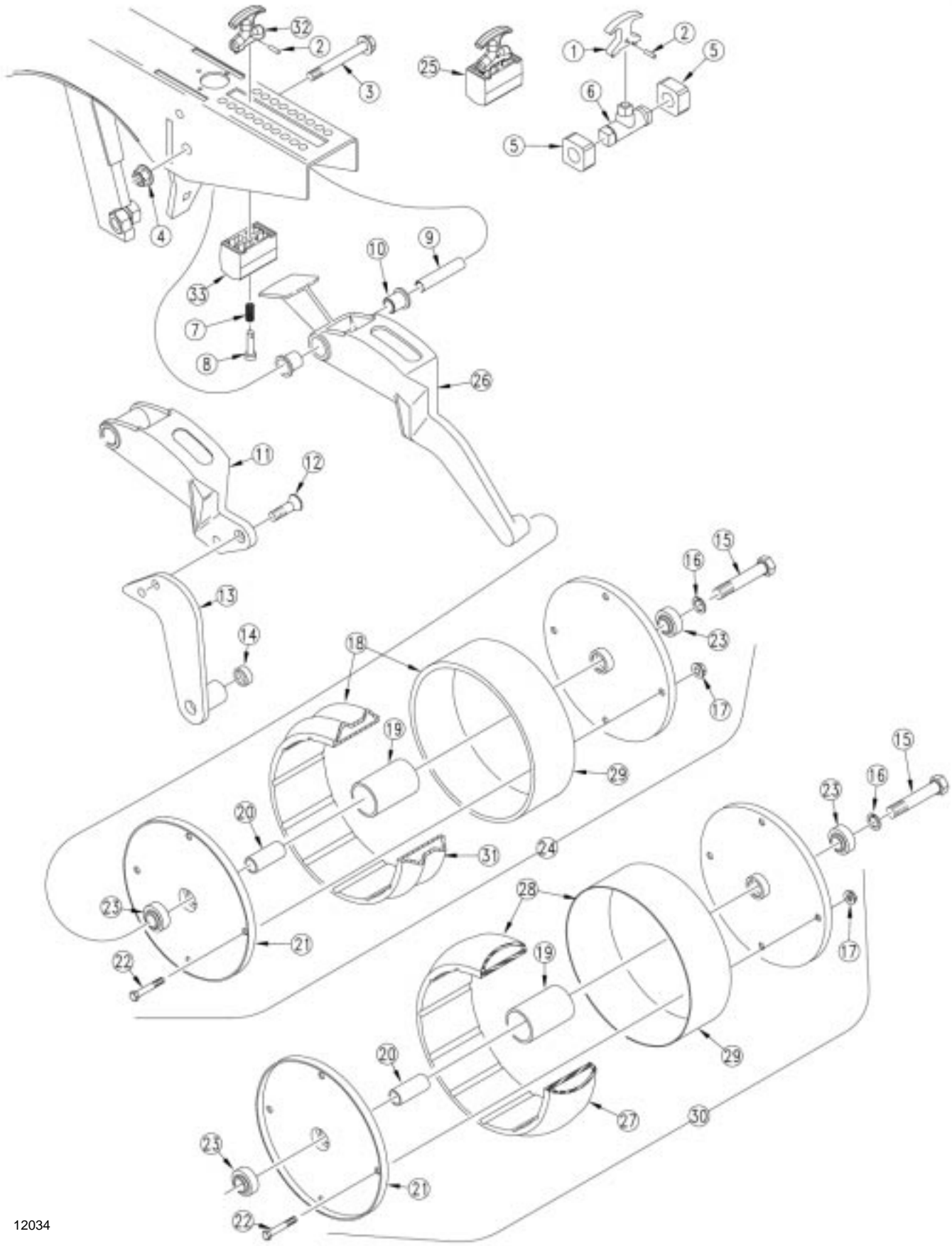
10528

**3" x 14" Peaked Press Wheel**

Ref.	Part No.	Part Description	Comments
1.	814-067C	TIRE 3 X 14 PW PEAKED	
2.	122-041D	4X12 PW RIM HALF	
3.	122-110D	SMALL SPACER TUBE	
4.	802-197C	HHCS 5/16-18X2 3/4 GR5	
5.	803-177C	NUT HEX LOCK 5/16-18 FLG.	
6.	817-062C	LARGE SPACER TUBE	
7.	817-063C	3 X 14 RIM SPACER RING	
8.	⊗ <b>822-095C</b>	<b>BEARING DBL LIP 203 X 5/8 BORE</b>	
	● <b>822-088C</b>	<b>BEARING 4X12 PW EXTENDED</b>	
9.	122-117S	3 X 14 PEAKED P.W. ASSEMBLY	Includes items 1 thru 8 & 32.
10.	122-110H	COMBINATION PW ARM WLDMENT	
11.	802-060C	HHCS 5/8-11X4 GR5	
12.	804-022C	WASHER LOCK SPRING 5/8 PLT	
13.	121-092D	S.R. END SPACER 4X12 & 2X13 SG	
14.	817-021C	KNOB P.W. ADJUSTMENT	
15.	802-174C	HHCS 3/8-16X4 3/4 GR5 SPTHD	
16.	803-078C	NUT LOCK 3/8-16 NYLON INSERT	
17.	122-061D	SLIDE TRUNNION	
18.	803-069C	NUT HEX SLOTTED 7/16-14 PLT	
19.	805-064C	PIN COTTER 7/64 X 1 LONG	
20.	807-066C	SCREW ADJ TENSION SPRING BENT	
21.	122-065D	TENSION SPRING RETAINER	
22.	801-018C	SCREW RD HD 1/4-20 X 5/8	
23.	804-006C	WASHER LOCK SPRING 1/4 PLT	
24.	803-006C	NUT HEX 1/4-20 PLT	
25.	804-012C	WASHER FLAT 3/8 SAE PLT	
26.	121-091D	SPRING ROD CENTER SPACER TUBE	
27.	802-371C	HSBHCS 1/2-13X1 GR5 NYL	
28.	122-188H	PRESS WHEEL ARM END WMNT	
29.	122-055S	SCREW ADJUSTMENT ROD	
30.	122-125D	3 X 14 PRESS WHEEL SPACER	
31.	805-073C	PIN ROLL 5/32 X 1	
32.	122-198V	3 X 14 TIRE & RING ASSEMBLY	

**Legend:** ● = 1st revision; ⊗ = 2nd revision; ⊗ = 3rd revision; ● = use up existing stock; ⊗ = not interchangeable; ⊗ ⊗ = for example: revision 2 is not interchangeable w/revision 1

4" x 12" Dual Rib Press Wheel



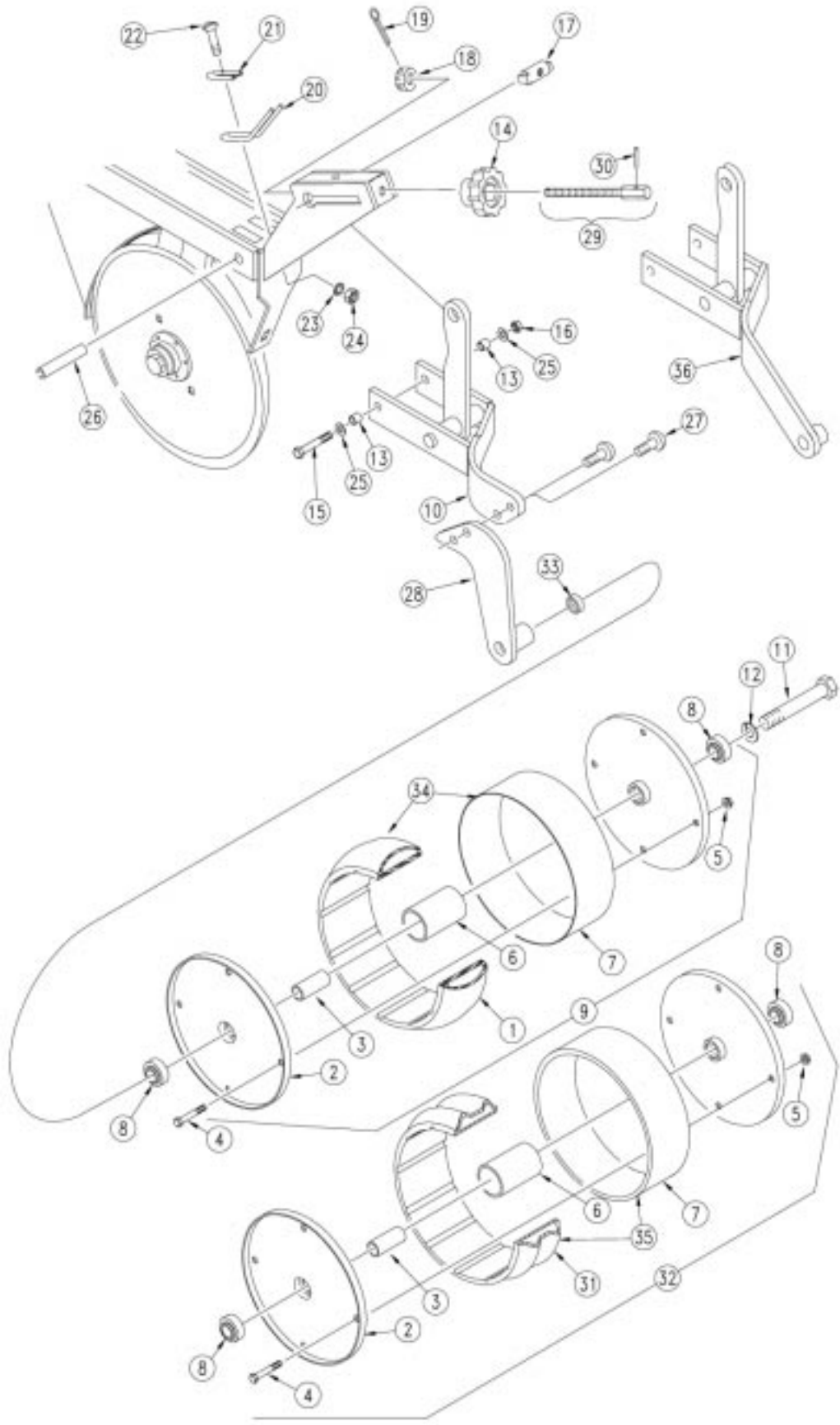
12034

## 4" x 12" Dual Rib Press Wheel

Ref.	Part No.	Part Description	Comments
1.	❶ 198-104D	<b>OBSELETE REPLACED BY 817-328C</b>	<b>See item 32.</b>
2.	805-186C	PIN ROLL 5/32 X 5/8 PLT	
3.	802-421C	HFS 1/2-13X3 3/4 GR5 SPTHD	
4.	803-169C	NUT HEX FLG. LOCK 1/2-13 PLT.	
5.	817-132C	PRESS WHEEL ARM BUMPER	(S/N 3410F- for 2SF24 and 3205G- for 2SF30) Use only with item 6.
6.	❶ 812-194C	<b>REPLACED BY 817-347C</b>	<b>(S/N 3210F- for 2SF24 and 3205G- for 2SF30). See item 33.</b>
7.	807-106C	SPRING .540 O.D.X 1 1/4 X.054W	
8.	805-154C	PIN CLEVIS 3/8 X 2 1/8 USABLE	
9.	198-137D	PRESS WHEEL PIVOT TUBE	
10.	817-084C	PARALLEL ARM PIVOT BUSHING	
11.	199-025D	PRESS WHEEL ARM MACHINED	(2SF24 S/N 3235F- & 2SF30 S/N 3045G-)
12.	801-115C	SFHCS 1/2-13X1 W/ 3/8 SQ SOCKET	(2SF24 S/N 3235F- & 2SF30 S/N 3045G-)
13.	122-188H	PRESS WHEEL ARM END WMNT	(2SF24 S/N 3235F- & 2SF30 S/N 3045G-)
14.	122-128D	4 X 12 PRESS WHEEL SPACER	(2SF24 S/N 3235F- & 2SF30 S/N 3045G-)
15.	802-100C	HHCS 5/8-11X4 1/2 GR5	
16.	804-022C	WASHER LOCK SPRING 5/8 PLT	
17.	803-177C	NUT HEX LOCK 5/16-18 FLG.	
18.	122-197V	4X12 V-GROOVE TIRE & RING ASSY	
19.	817-022C	4 X 12 LARGE SPREADER TUBE	
20.	122-094D	4X12 SMALL SPREADER TUBE-SHORT	
21.	122-041D	4X12 PW RIM HALF	
22.	802-119C	HHCS 5/16-18X3 3/4 GR5	
23.	822-095C	BEARING DBL LIP 203 X 5/8 BORE	
24.	122-103S	4X12 V-GROOVE PRESS WHL ASSY	
25.	122-202S	PW ADJUSTMENT TRUNNION ASSY	Includes items 2, 7, 8, 32 and 33.
26.	199-031D	4 X 12 PRESS WHEEL ARM	(2SF24 S/N 3236F+ & 2SF30 S/N 3046G+)
27.	814-021C	TIRE 4 X 12 PW SMOOTH CROWN	
28.	122-199V	4X12 SMTH CRN TIRE & RING ASSY	
29.	817-023C	4 X 12 RIM SPACER RING	
30.	122-104S	4X12 SMOOTH CROWN PW ASSY	
31.	814-010C	TIRE PW 4 X 12	
32.	❷ 817-328C	<b>T-HANDLE ASSEMBLY</b>	
33.	❷ 817-347C	<b>OPENER TRUNNION</b>	<b>(S/N 3411F+ for 2SF24 and 3206G+ for 2SF30) Replaces items 5 and 6.</b>

Legend: ❶ = 1st revision; ❷ = 2nd revision; ❸ = 3rd revision; ● = use up existing stock; ⊗ = not interchangeable; ⊗ ❶ = for example: revision 2 is not interchangeable w/revision 1

4" x 12" Smooth & Dual Rib Press Wheel



10524

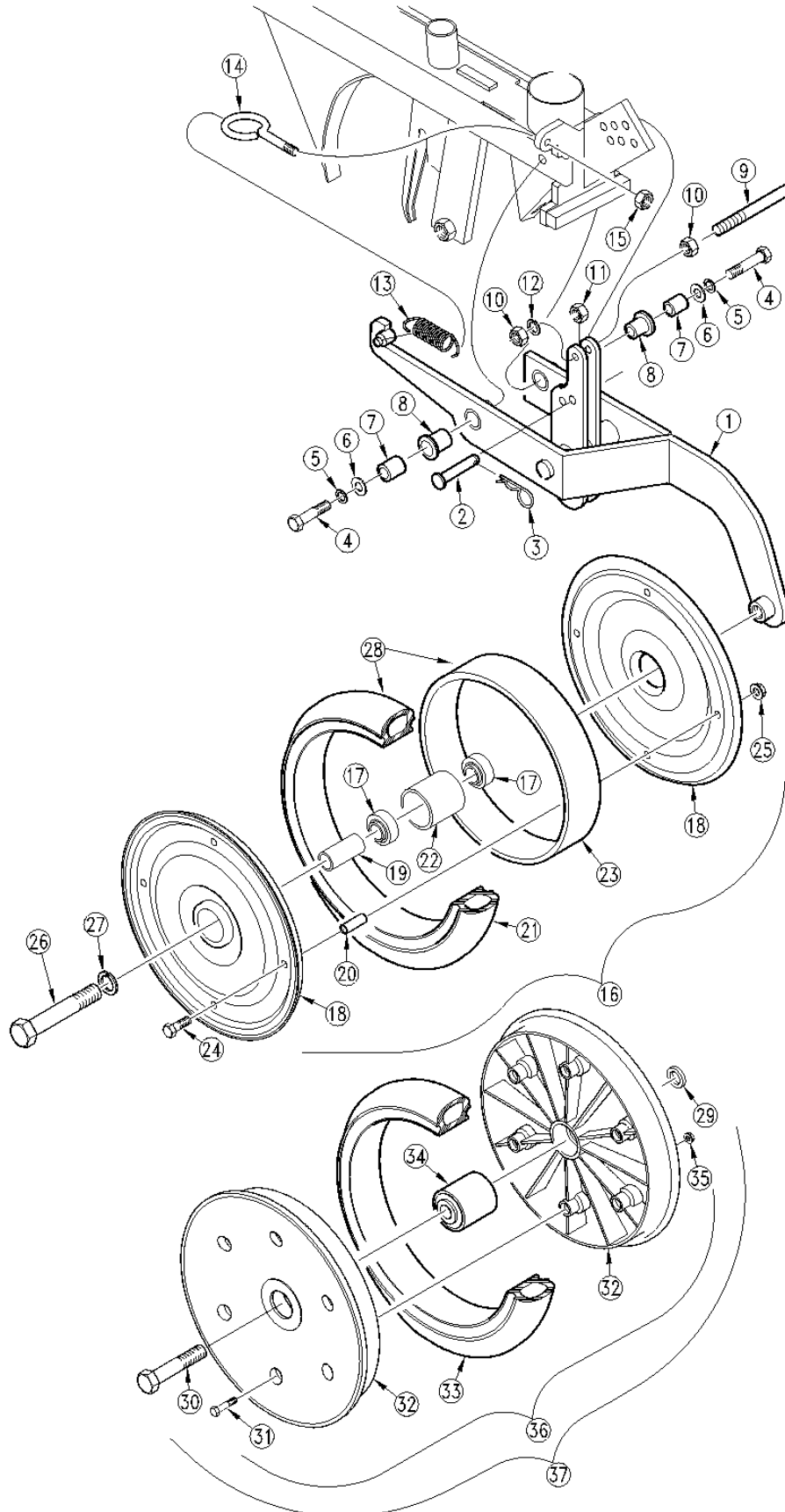


**4" x 12" Smooth & Dual Rib Press Wheel**

Ref.	Part No.	Part Description	Comments
1.	814-021C	TIRE 4 X 12 PW SMOOTH CROWN	
2.	122-041D	4X12 PW RIM HALF	
3.	122-094D	4X12 SMALL SPREADER TUBE-SHORT	
4.	802-119C	HHCS 5/16-18X3 3/4 GR5	
5.	803-177C	NUT HEX LOCK 5/16-18 FLG.	
6.	817-022C	4 X 12 LARGE SPREADER TUBE	
7.	817-023C	4 X 12 RIM SPACER RING	
8.	822-095C	BEARING DBL LIP 203 X 5/8 BORE	
9.	122-104S	4X12 SMOOTH CROWN PW ASSY	Includes items 1 thru 8 & 34.
10.	122-110H	COMBINATION PW ARM WLDMENT	
11.	802-100C	HHCS 5/8-11X4 1/2 GR5	
12.	804-022C	WASHER LOCK SPRING 5/8 PLT	
13.	121-092D	S.R. END SPACER 4X12 & 2X13 SG	
14.	817-021C	KNOB P.W. ADJUSTMENT	
15.	802-174C	HHCS 3/8-16X4 3/4 GR5 SPTHD	
16.	803-078C	NUT LOCK 3/8-16 NYLON INSERT	
17.	122-061D	SLIDE TRUNNION	
18.	803-069C	NUT HEX SLOTTED 7/16-14 PLT	
19.	805-064C	PIN COTTER 7/64 X 1 LONG	
20.	807-066C	SCREW ADJ TENSION SPRING BENT	
21.	122-065D	TENSION SPRING RETAINER	
22.	801-018C	SCREW RD HD 1/4-20 X 5/8	
23.	804-006C	WASHER LOCK SPRING 1/4 PLT	
24.	803-006C	NUT HEX 1/4-20 PLT	
25.	804-012C	WASHER FLAT 3/8 SAE PLT	
26.	121-091D	SPRING ROD CENTER SPACER TUBE	
27.	802-371C	HSBHCS 1/2-13X1 GR5 NYL	
28.	122-188H	PRESS WHEEL ARM END WMNT	
29.	122-055S	SCREW ADJUSTMENT ROD	
30.	805-073C	PIN ROLL 5/32 X 1	
31.	814-010C	TIRE PW 4 X 12	
32.	122-103S	4X12 V-GROOVE PRESS WHL ASSY	Includes items 2 thru 8, 31 & 35.
33.	122-128D	4 X 12 PRESS WHEEL SPACER	
34.	122-199V	4X12 SMTH CRN TIRE & RING ASSY	
35.	122-197V	4X12 V-GROOVE TIRE & RING ASSY	
36.	122-062H	4X12 PRESS WHEEL ARM	

**Legend:** ● = 1st revision; ● = 2nd revision; ● = 3rd revision; ● = use up existing stock; ⊗ = not interchangeable; ⊗ ① ● = for example: revision 2 is not interchangeable w/revision 1

**2" x 13" Heavy Duty Native Grass Press Wheel**



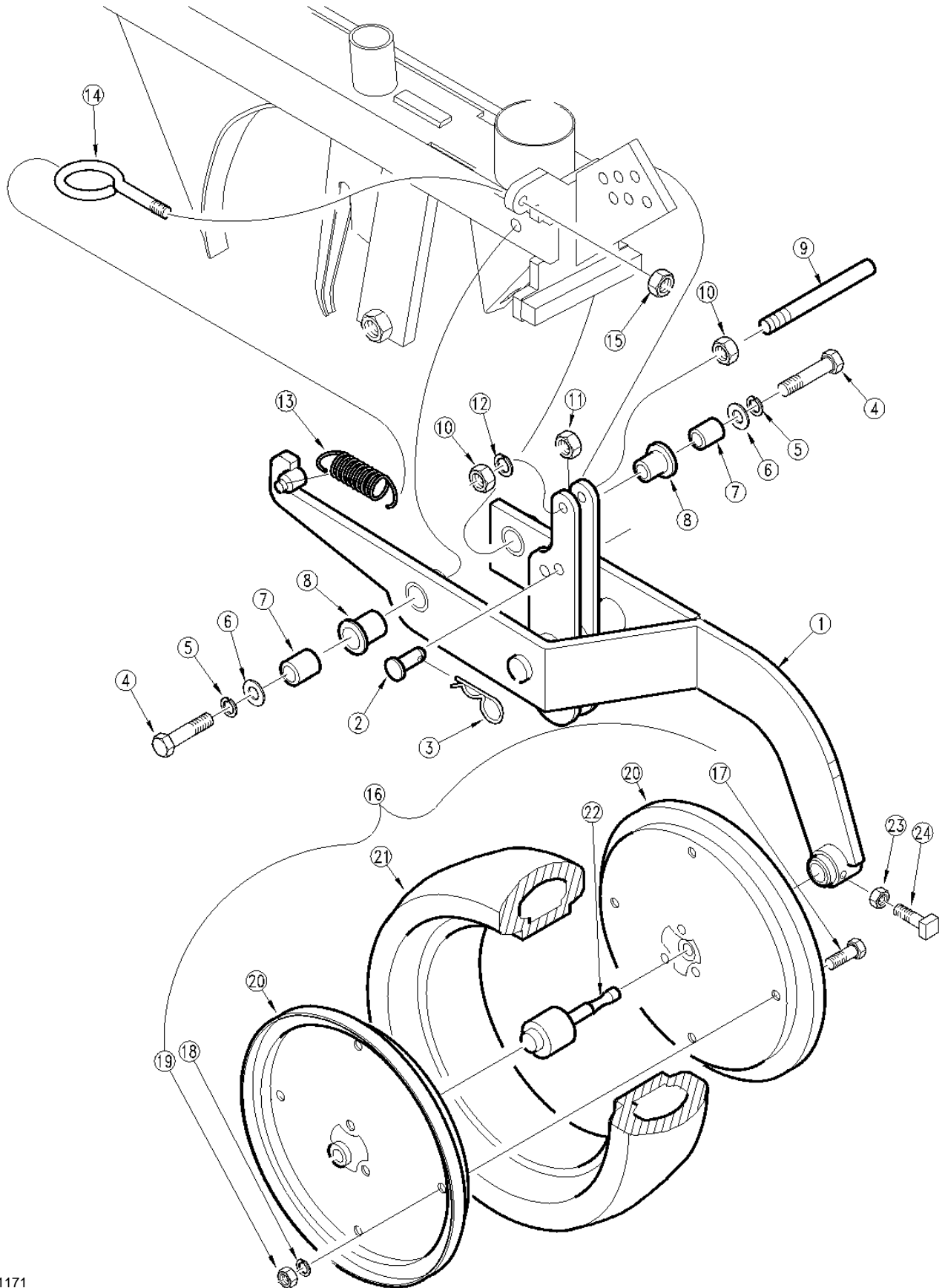
11172

**2" x 13" Heavy Duty Native Grass Press Wheel**

Ref.	Part No.	Part Description	Comments
1.	122-162H	2X13 HD NATIVE GRS PW ARM WMNT	
2.	805-139C	PW ADJUST PIN	
3.	805-010C	PIN HAIR COTTER .094	
4.	802-234C	HHCS 7/16-14X2 1/4 GR5	
5.	804-014C	WASHER LOCK 7/16 PLT	
6.	804-041C	WASHER FLAT 7/16 SAE PLT	
7.	121-123D	NG PW PIVOT TUBE	
8.	817-028C	DOUBLE DISK ARM PIVOT BUSHINGS	
9.	122-087D	PW ADJUST HANDLE	
10.	803-008C	NUT HEX 5/16-18 PLT	
11.	803-020C	NUT HEX 1/2-13 PLT	
12.	804-009C	WASHER LOCK SPRING 5/16 PLT	
13.	807-043C	SPRING EXT LOCK ARM	
14.	802-233C	SP EYE 1/4-20X2 3/4	
15.	803-007C	NUT LOCK 1/4-20 PLT	
16.	122-115S	2 X 13 SMOOTH CROWN P.W. ASSY	Includes items 17 thru 25 & 28.
17.	822-095C	BEARING DBL LIP 203 X 5/8 BORE	
18.	122-115D	13 PRESS WHEEL RIM HALF	
19.	122-114D	2 X 13 PW BRG. SPACER TUBE	
20.	890-198C	2X13 P.W. BOLT SPACER	
21.	814-069C	TIRE 2 X 13 PW CROWN	
22.	122-002D	2 BEARING HUB	
23.	817-067C	2 P.W. RIM SPACER RING	
24.	802-013C	HHCS 5/16-18X1 3/4 GR5	
25.	803-177C	NUT HEX LOCK 5/16-18 FLG.	
26.	802-059C	HHCS 5/8-11X3 GR5	
27.	804-022C	WASHER LOCK SPRING 5/8 PLT	
28.	122-189V	2 X 13 TIRE & RING ASSEMBLY	
29.	122-158D	2 X 13 ACE PRESS WHEEL SPACER	
30.	802-058C	HHCS 5/8-11X2 1/2 GR5	
31.	802-617C	HHFS 1/4-20 X 1 1/2 GR 5	
32.	817-296C	2 X 13 PRESS WHEEL RIM HALF	
33.	814-159C	2 X 13 PRESS WHEEL TIRE	
34.	822-170C	BEARING PRESS WHEEL ASSEMBLY	
35.	803-088C	NUT HEX LOCK 1/4-20 FLG	
36.	814-157C	2 X 13 PRESS WHEEL ASSEMBLY.	Includes items 31 thru 35.
37.	122-233A	PLASTIC 2X13 PW FIELD ASSY	Includes items 29, 30 & 36.

**Legend:** ● = 1st revision; ● = 2nd revision; ● = 3rd revision; ● = use up existing stock; ⊗ = not interchangeable; ⊗ ① ● = for example: revision 2 is not interchangeable w/revision 1

2" x 13" Native Grass Press Wheel (1990-)



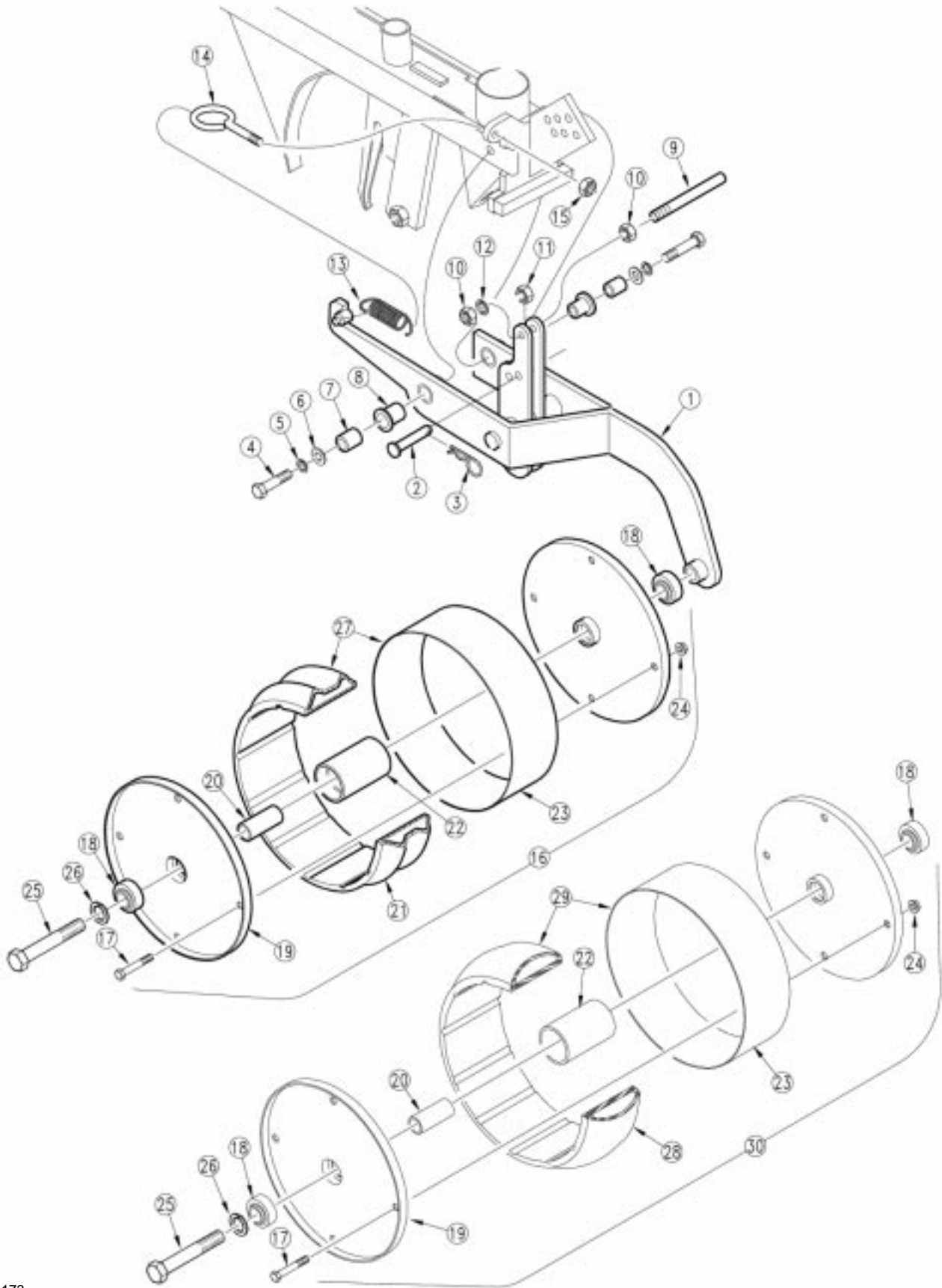
11171

**2" x 13" Native Grass Press Wheel (1990-)**

Ref.	Part No.	Part Description	Comments
1.	122-088H	2 X 13 NATIVE GRASS PW WLDMT	
2.	805-139C	PW ADJUST PIN	
3.	805-010C	PIN HAIR COTTER .094	
4.	802-234C	HHCS 7/16-14X2 1/4 GR5	
5.	804-014C	WASHER LOCK 7/16 PLT	
6.	804-041C	WASHER FLAT 7/16 SAE PLT	
7.	121-123D	NG PW PIVOT TUBE	
8.	817-028C	DOUBLE DISK ARM PIVOT BUSHINGS	
9.	122-087D	PW ADJUST HANDLE	
10.	803-008C	NUT HEX 5/16-18 PLT	
11.	803-018C	NUT HEX 1/2-20 PLT	
12.	804-009C	WASHER LOCK SPRING 5/16 PLT	
13.	807-043C	SPRING EXT LOCK ARM	
14.	802-233C	SP EYE 1/4-20X2 3/4	
15.	803-007C	NUT LOCK 1/4-20 PLT	
16.	122-002S	PW & BRG ASSEMBLY 2X13	
17.	802-014C	HHCS 3/8-16X3/4 GR5	
18.	804-013C	WASHER LOCK SPRING 3/8 PLT	
19.	803-014C	NUT HEX 3/8-16 PLT	
20.	814-013C	2 X 13 RIM HALF	
21.	814-007C	TIRE RUBBER PW 2 X 13	
22.	822-023C	BEARING PW SINGLE ENDED	
23.	803-012C	NUT HEX JAM 3/8-16 PLT	
24.	801-007C	SCREW SET SQ HD 3/8-16X7/8 PLT	

**Legend:** ① = 1st revision; ② = 2nd revision; ③ = 3rd revision; ● = use up existing stock; ⊗ = not interchangeable; ⊗ ① ② = for example: revision 2 is not interchangeable w/revision 1

4" x 12" Heavy Duty Native Grass Press Wheel



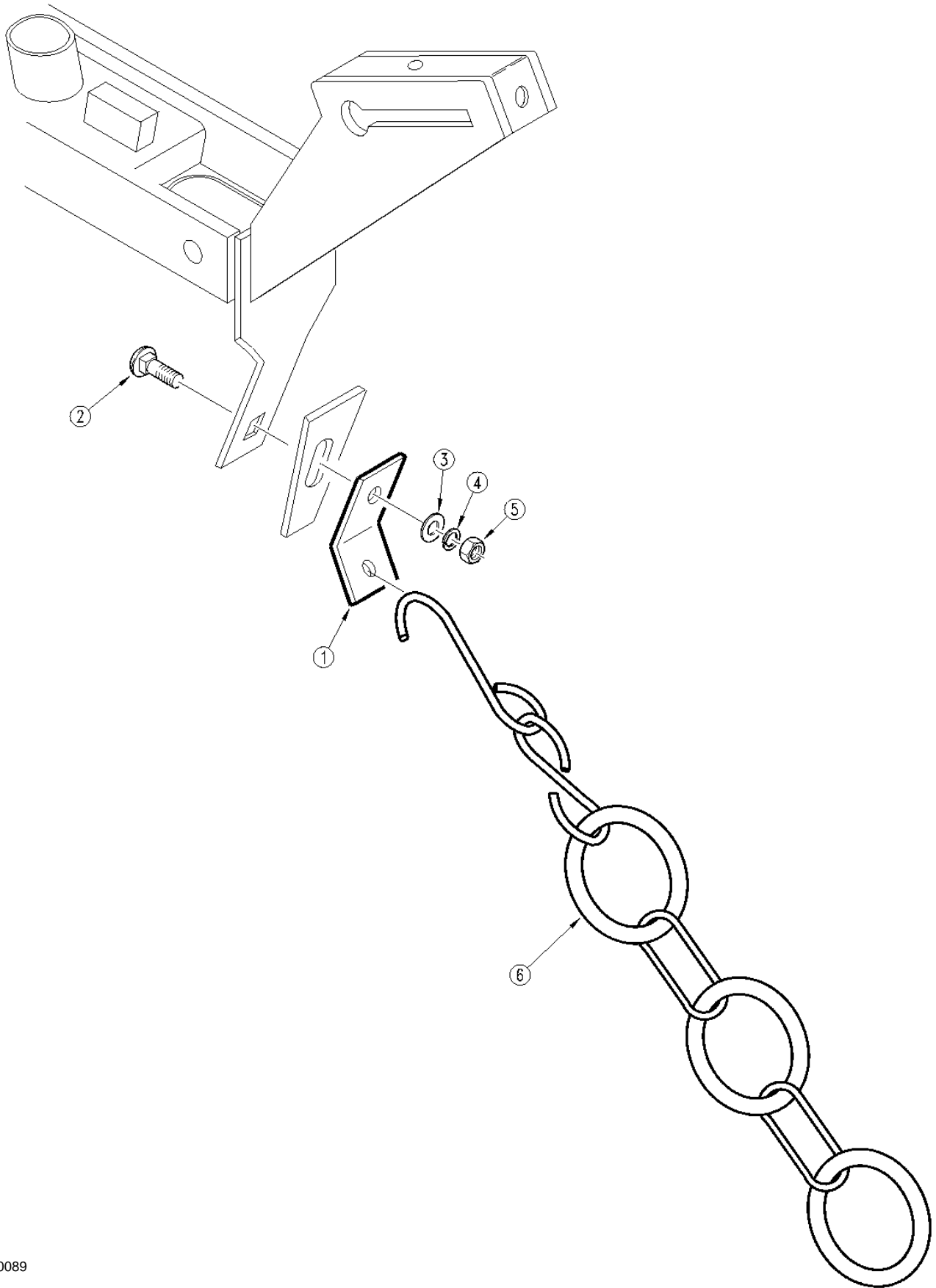
11173

**4" x 12" Heavy Duty Native Grass Press Wheel**

Ref.	Part No.	Part Description	Comments
1.	122-090H	4X12 NATIVE GRASS PW WELDMENT	
2.	805-139C	PW ADJUST PIN	
3.	805-010C	PIN HAIR COTTER .094	
4.	802-234C	HHCS 7/16-14X2 1/4 GR5	
5.	804-014C	WASHER LOCK 7/16 PLT	
6.	804-041C	WASHER FLAT 7/16 SAE PLT	
7.	121-123D	NG PW PIVOT TUBE	
8.	817-028C	DOUBLE DISK ARM PIVOT BUSHINGS	
9.	122-087D	PW ADJUST HANDLE	
10.	803-008C	NUT HEX 5/16-18 PLT	
11.	803-020C	NUT HEX 1/2-13 PLT	
12.	804-009C	WASHER LOCK SPRING 5/16 PLT	
13.	807-043C	SPRING EXT LOCK ARM	
14.	802-233C	SP EYE 1/4-20X2 3/4	
15.	803-007C	NUT LOCK 1/4-20 PLT	
16.	122-103S	4X12 V-GROOVE PRESS WHL ASSY	
17.	802-119C	HHCS 5/16-18X3 3/4 GR5	
18.	822-095C	BEARING DBL LIP 203 X 5/8 BORE	
19.	122-041D	4X12 PW RIM HALF	
20.	122-094D	4X12 SMALL SPREADER TUBE-SHORT	
21.	814-010C	TIRE PW 4 X 12	
22.	817-022C	4 X 12 LARGE SPREADER TUBE	
23.	817-023C	4 X 12 RIM SPACER RING	
24.	803-177C	NUT HEX LOCK 5/16-18 FLG.	
25.	802-151C	HHCS 5/8-11X4 1/4 GR5	
26.	804-022C	WASHER LOCK SPRING 5/8 PLT	
27.	122-197V	4X12 V-GROOVE TIRE & RING ASSY	
28.	814-021C	TIRE 4 X 12 PW SMOOTH CROWN	
29.	122-199V	4X12 SMTH CRN TIRE & RING ASSY	
30.	122-104S	4X12 SMOOTH CROWN PW ASSY	

**Legend:** ● = 1st revision; ● = 2nd revision; ● = 3rd revision; ● = use up existing stock; ⊗ = not interchangeable; ⊗ ① ● = for example: revision 2 is not interchangeable w/revision 1

Covering Chain



10089

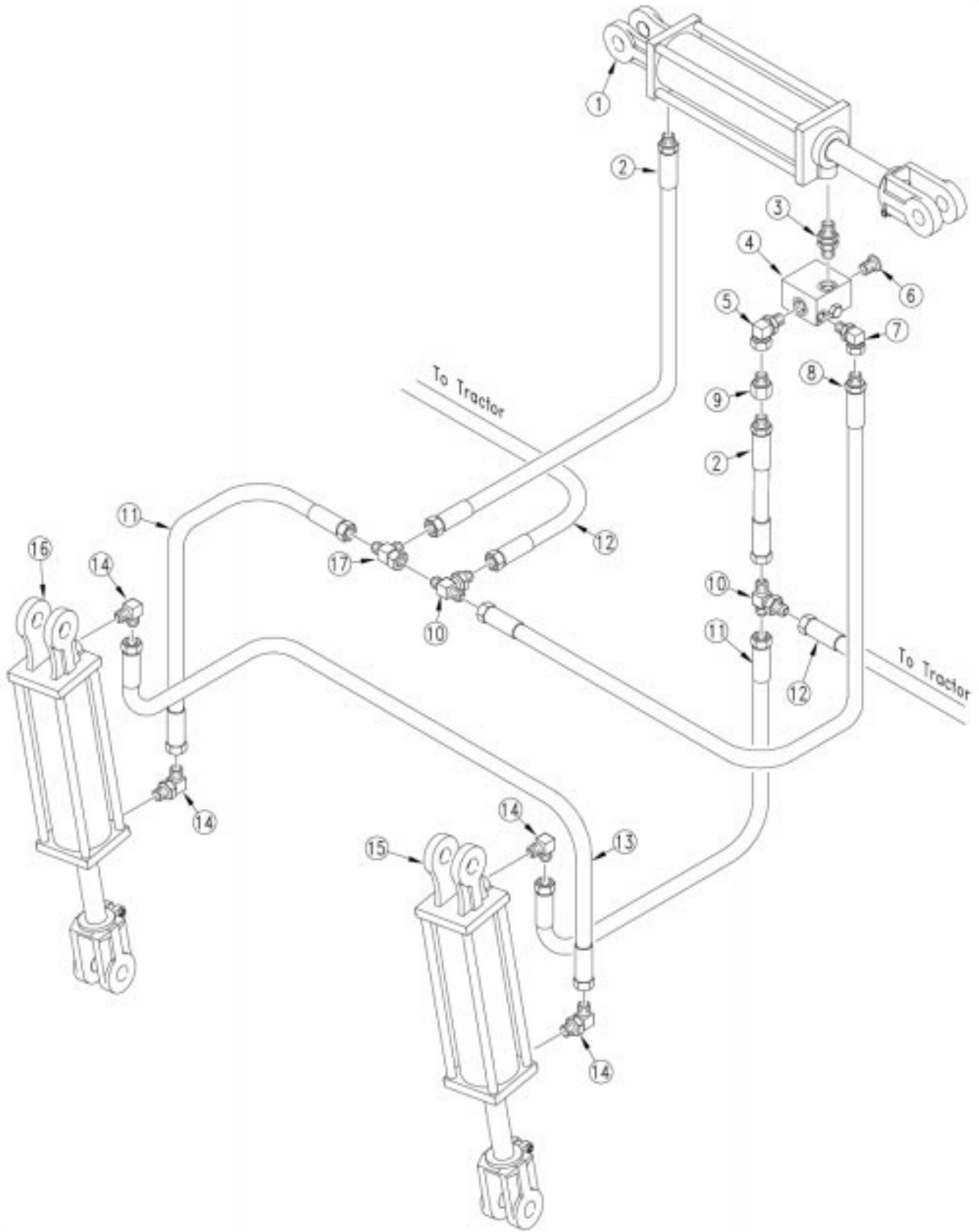


**Covering Chain**

Ref.	Part No.	Part Description	Comments
1.	⊗ 178-033D	COVERING CHAIN MOUNT BAR	
	● ① 122-072D	DRAG CHAIN MTG REPLBY 178-033D	
2.	802-155C	RHSNB 3/8-16X1 1/4 GR5	
3.	804-012C	WASHER FLAT 3/8 SAE PLT	
4.	804-013C	WASHER LOCK SPRING 3/8 PLT	
5.	803-014C	NUT HEX 3/8-16 PLT	
6.	890-063C	DRAG CHAIN	

**Legend:** ● = 1st revision; ⊗ = 2nd revision; ⊕ = 3rd revision; ● = use up existing stock; ⊗ = not interchangeable; ⊗ ① ⊗ = for example: revision 2 is not interchangeable w/revision 1

**Transport Hydraulics**



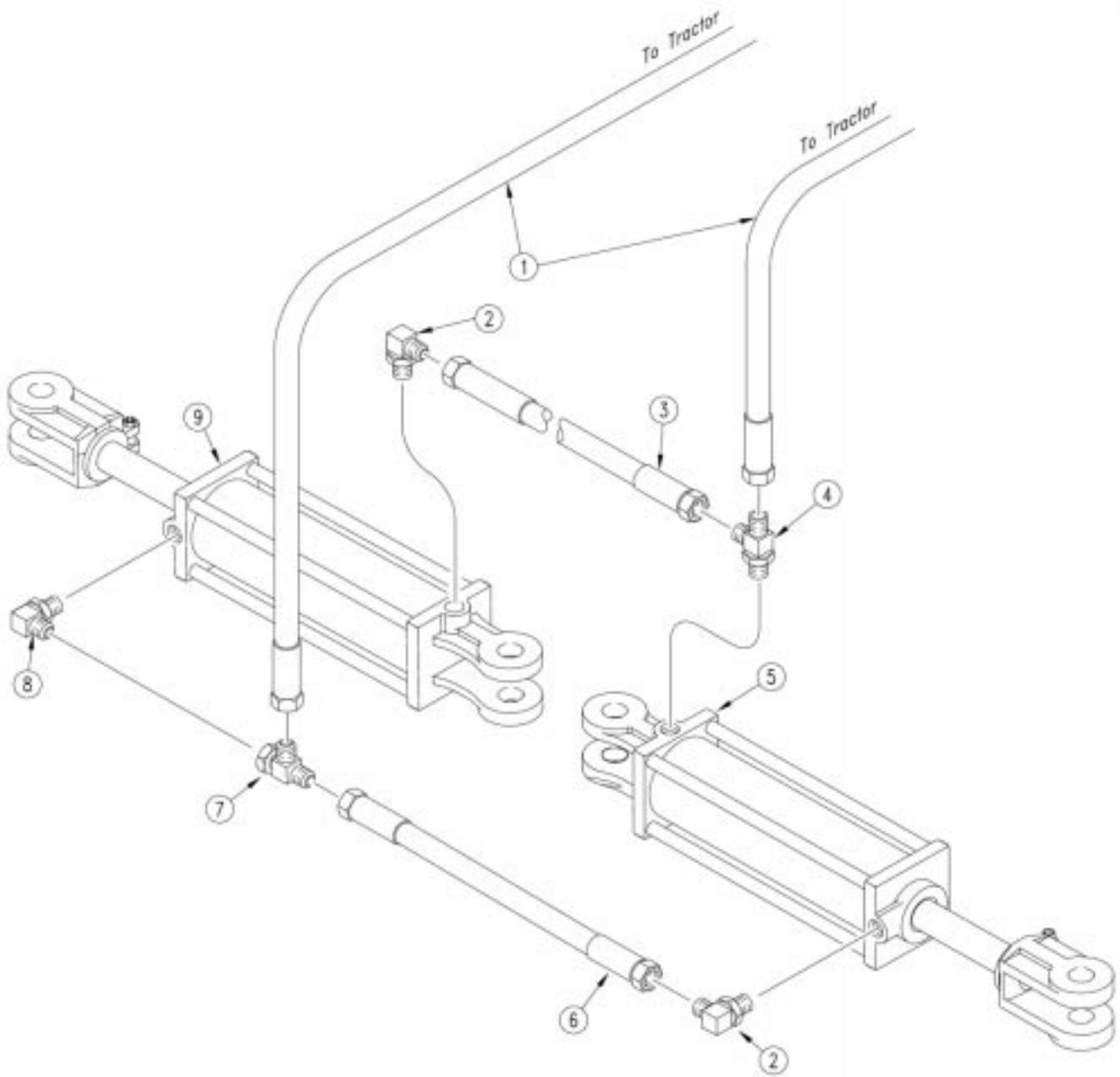
11304

**Transport Hydraulics**

Ref.	Part No.	Part Description	Comments
1.	810-020C	CYL 4X10X1.25 ROD (TIE ROD)	Refer to page 9-5 for breakdown.
2.	811-051C	HH3/8R2 038 3/4FJIC 3/4MORB	
3.	811-086C	AD 3/4MORB	
4.	810-086C	VALVE PO CHECK ORB PORTS	Refer to page 9-15 for breakdown.
5.	811-208C	HH1/4R1 128 1/2MNPT 3/8MNPT	
6.	811-203C	PL 3/4MORB HOLLOW HEX	
7.	811-281C	EL 3/8FNPT 9/16MORB	
8.	811-074C	HH3/8R1 036 3/4 FJIC 3/8MNPT	
9.	811-023C	AD 1/2MNPT 3/4FORB	
10.	811-039C	TE 3/4MJICBH 3/4MJIC 3/4MJIC	
11.	811-053C	HH1/2R2 052 3/4FJIC	
12.	811-055C	HH1/2R2 292 3/4FJIC 3/4MNPT	
13.	811-715C	HH1/2R2 097 3/4FJIC	
14.	811-063C	EL 3/4MJIC 3/4MORB	
15.	810-147C	CYL REP 4.25X20X1.5 ROD (TIE)	Refer to page 9-11 for breakdown.
16.	810-148C	CYL REP 4X20X1.37 ROD (TIE ROD)	Refer to page 9-13 for breakdown.
17.	811-073C	TE 3/4MJIC 3/4MJIC 3/4FJIC	

**Legend:** ● = 1st revision; ● = 2nd revision; ● = 3rd revision; ● = use up existing stock; ⊗ = not interchangeable; ⊗ ① ● = for example: revision 2 is not interchangeable w/revision 1

*Fold Hydraulics*



11305

**Fold Hydraulics**

Ref.	Part No.	Part Description	Comments
1.	811-058C	HH1/4R2 303 9/16FJIC 1/2MNPT	
2.	811-062C	OREL 1/32 9/16MJIC 9/16MORB	
3.	811-057C	HH1/4R2 020 9/16FJIC	
4.	811-064C	TE 9/16MJIC 9/16MJIC 9/16MORB	
5.	810-022C	CYL 2.5X10X1.06 ROD (TIE) LH	Refer to page 9-7 or page 9-9 for breakdown.
6.	811-056C	HH1/4R2 045 9/16FJIC	
7.	811-061C	TE 9/16MJIC 9/16MJIC 9/16FJIC	
8.	811-065C	EL 9/16MJIC 9/16MORB	
9.	810-018C	CYL 2.5X10X1.06 ROD (TIE) RH	Refer to page 9-7 or page 9-9 for breakdown.

**Legend:** ① = 1st revision; ② = 2nd revision; ③ = 3rd revision; ● = use up existing stock; ⊗ = not interchangeable; ⊗ ① ② = for example: revision 2 is not interchangeable w/revision 1

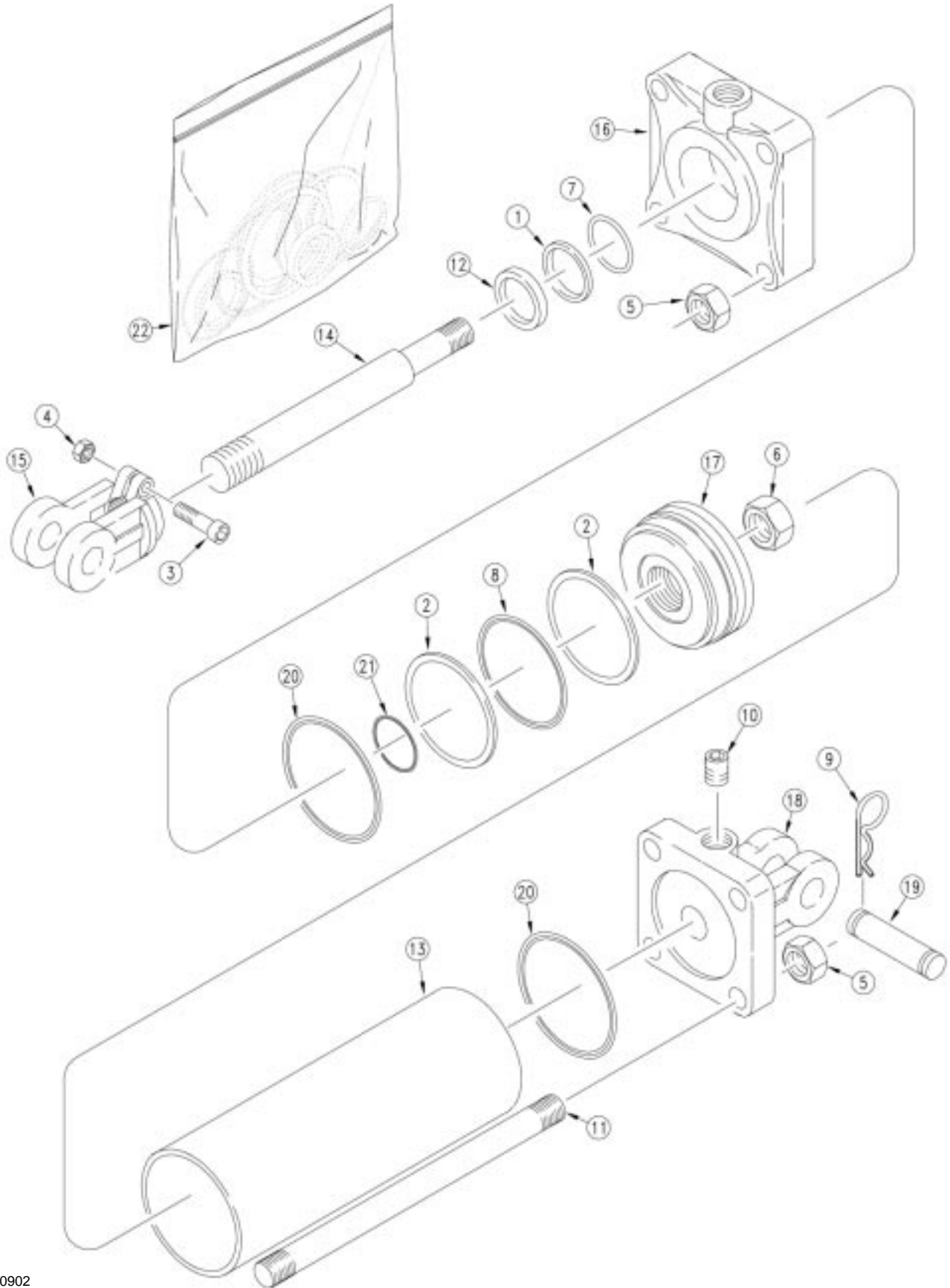


**Hydraulic Rod Cylinder (810-020C)**

Ref.	Part No.	Part Description	Comments
1.	1M7016	CLEVIS ROD MIDWAY	
2.	2M6470	MW ROD 1-1/4 DIA.X 10 STROKE	
3.	3R5712	MW HEAD	
4.	4M6108	MW PISTON.	
5.	5M6118	MW TUBE 4 X 10 CYLINDER	
6.	6R5164	BASE MIDWAY	
7.	7M6318	MW TIE ROD 4 X 10 CYLINDER	
8.	2A0208	MW CLEVIS PIN	
9.		WIPER SEAL	Only available in seal kit item 19.
10.		O-RING	Only available in seal kit item 19.
11.		BACK-UP	Only available in seal kit item 19.
12.		O-RING	Only available in seal kit item 19.
13.		BACK-UP	Only available in seal kit item 19.
14.	2A0024	MW PISTON NUT 1-14	
15.	2A0018	MW TIE ROD NUT	
16.	2A0012	MW NUT CLEVIS & TIE ROD	
17.	2A0006	MW CAPSCREW	
18.	2A0132	MW PIN CLIP	
19.	810-013C	CYL SEAL KIT 4 X 14 MW 3A6102	

**Legend:** ● = 1st revision; ● = 2nd revision; ● = 3rd revision; ● = use up existing stock; ⊗ = not interchangeable; ⊗ ① ● = for example: revision 2 is not interchangeable w/revision 1

Lion Hydraulic Cylinder (810-018C & 810-022C)



10902

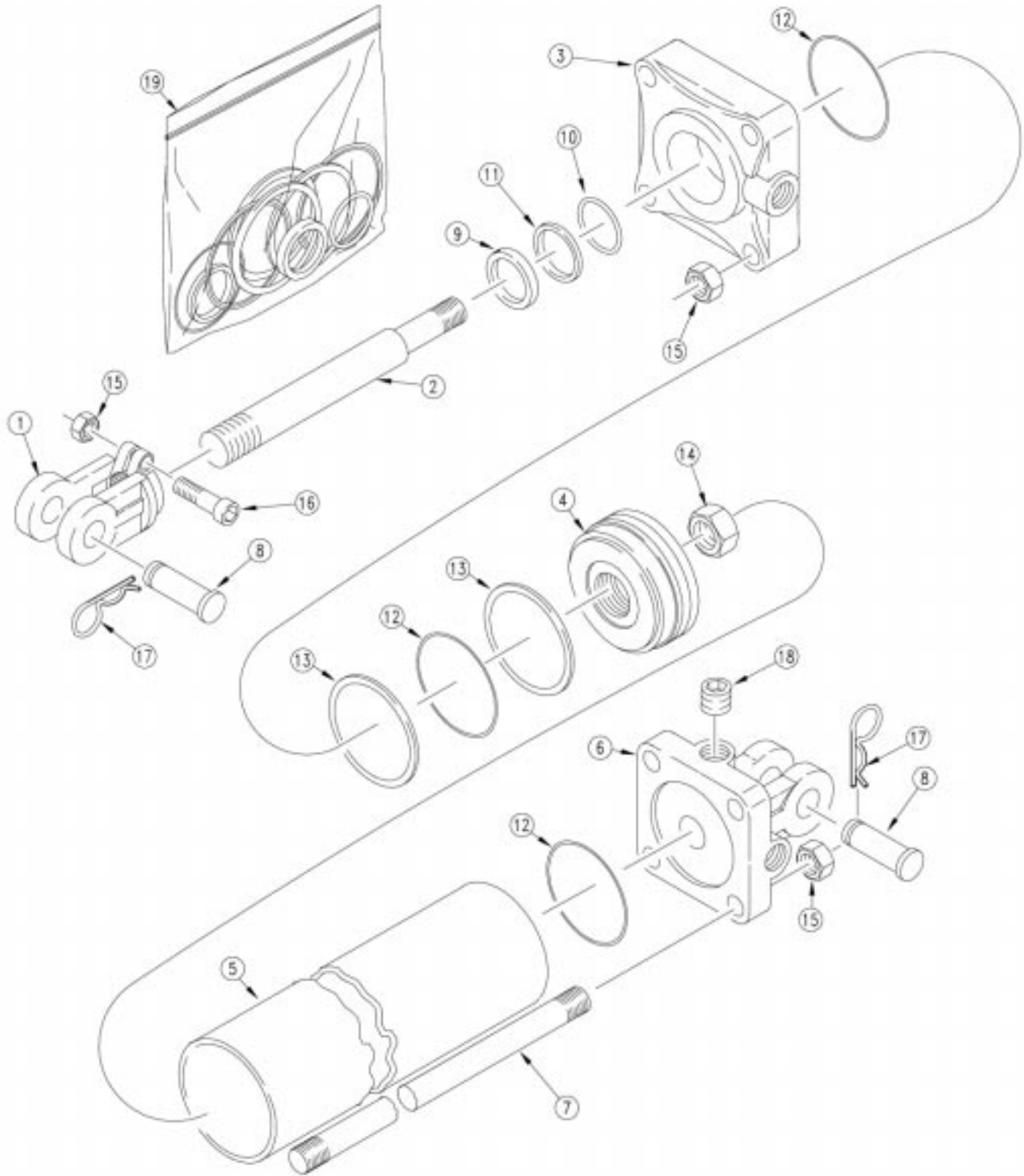


**Lion Hydraulic Cylinder (810-018C & 810-022C)**

Ref.	Part No.	Part Description	Comments
1.		BACK-UP	Only available in seal kit item 22.
2.		BACK-UP	Only available in seal kit item 22.
3.	119254	LION BOLT 3/8UNC	
4.	⊗ 803-014C	NUT HEX 3/8-16 PLT	
	● ① 128230	LION NUT3/8UNCG5(RPBY 803-014C	
5.	⊗ 803-014C	NUT HEX 3/8-16 PLT	
	● ① 128230	LION NUT3/8UNCG5(RPBY 803-014C	
6.	129090	LION NUT 3/4UNC	
7.		O-RING	Only available in seal kit item 22.
8.		O-RING	Only available in seal kit item 22.
9.	134952	LION PIN CLIP-CLEVIS	
10.	186561	PLUG 9/16-18UNF MORB SOCKET HD	
11.	492220	LION TIE ROD	
12.		WIPER	Only available in seal kit item 22.
13.	491670	LION TUBE	
14.	491980	LION ROD	
15.	458599	LION ROD CLEVIS	
16.	494616	LION ROD CAP	
17.	492529	LION PISTON 2.5 DIA CST DI	
18.	494517	LION CLEVIS CAP	
19.	134953	LION PIN	
20.		O-RING	Only available in seal kit item 22.
21.		O-RING	Only available in seal kit item 22.
22.	810-027C	CYL SEAL KIT 2.5 X 10 LION	

**Legend:** ● = 1st revision; ⊗ = 2nd revision; ⊗ = 3rd revision; ● = use up existing stock; ⊗ = not interchangeable; ⊗ ① ⊗ = for example: revision 2 is not interchangeable w/revision 1

Midway Hydraulic Cylinder (810-018C & 810-022C)



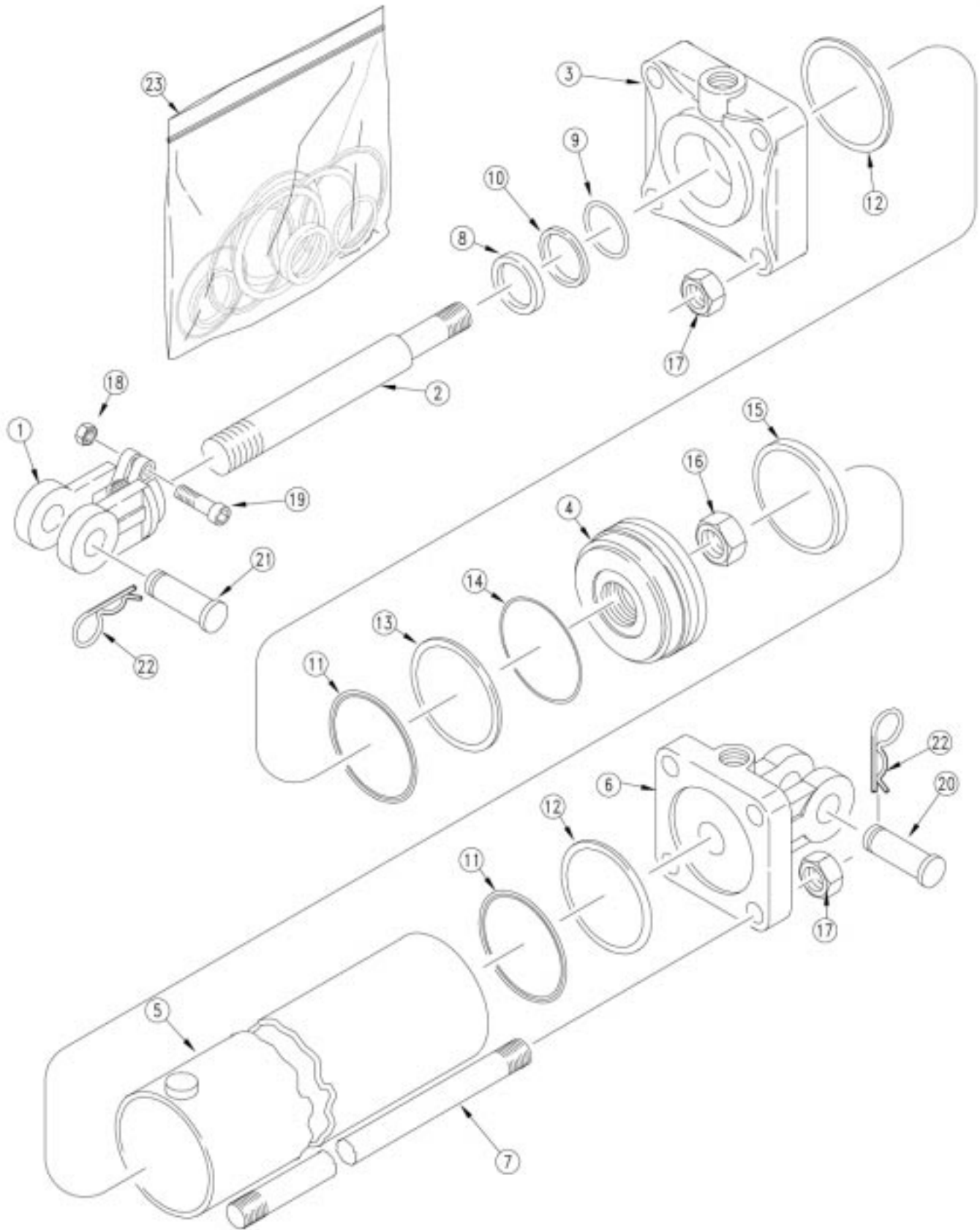
15592

**Midway Hydraulic Cylinder (810-018C & 810-022C)**

Ref.	Part No.	Part Description	Comments
1.	1M6005	MW CLEVIS	
2.	2M3216	MW ROD	
3.	3R0210	MW HEAD	
4.	4M3102	MW PISTON 2 1/2 CYL	
5.	5M3118	MW TUBE	
6.	6R0154	MW BASE	
7.	7M3318	MW TIE ROD	
8.	2A0208	MW CLEVIS PIN	
9.		MW WIPER SEAL	Only available in seal kit item 19.
10.		MW O-RING	Only available in seal kit item 19.
11.		MW BACK UP	Only available in seal kit item 19.
12.		MW O-RING	Only available in seal kit item 19.
13.		MW BACK UP	Only available in seal kit item 19.
14.	2A0022	MW NUT, PISTON	
15.	2A0012	MW NUT CLEVIS & TIE ROD	
16.	2A0006	MW CAPSCREW	
17.	2A0132	MW PIN CLIP	
18.	2A0126	MW PLUG	
19.	810-323C	SEAL KIT MIDWAY 3A3106	

**Legend:** ● = 1st revision; ● = 2nd revision; ● = 3rd revision; ● = use up existing stock; ⊗ = not interchangeable; ⊗ ① ● = for example: revision 2 is not interchangeable w/revision 1

**Hydraulic Cylinder (810-147C)**



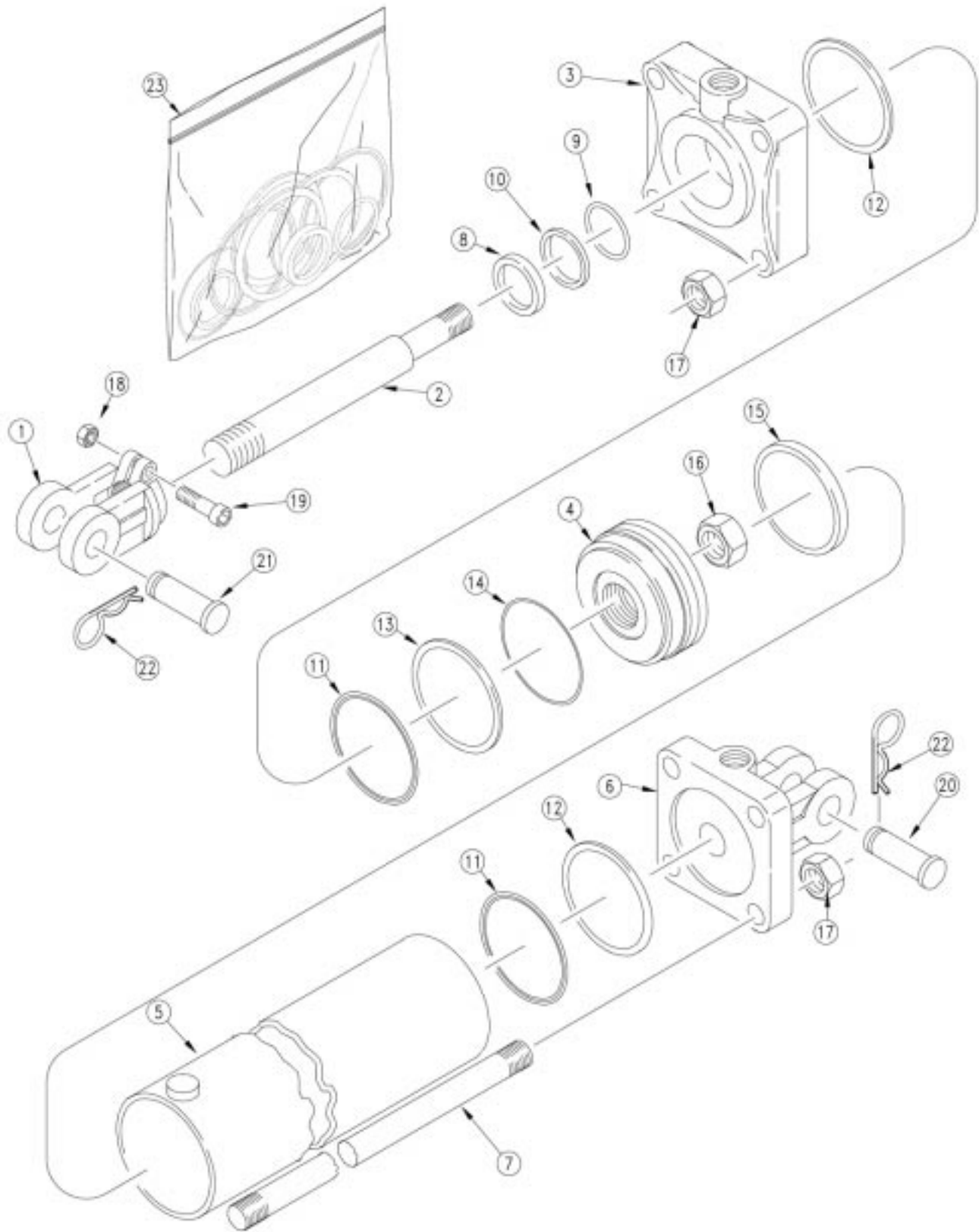
10846

**Hydraulic Cylinder (810-147C)**

Ref.	Part No.	Part Description	Comments
1.	1M7016	CLEVIS ROD MIDWAY	
2.	2M7580	MW ROD	
3.	3R6912	HEAD MIDWAY	
4.	4R6108	PISTON MIDWAY	
5.	5R6128	TUBE MIDWAY	
6.	6R6164	BASE MIDWAY	
7.	7M7328	TIE ROD MIDWAY	
8.		ROD WIPER	Only available in seal kit item 23.
9.		O-RING	Only available in seal kit item 23.
10.		BACK-UP	Only available in seal kit item 23.
11.		O-RING	Only available in seal kit item 23.
12.		BACK-UP	Only available in seal kit item 23.
13.		TEFLON SEAL	Only available in seal kit item 23.
14.		LOADER O-RING	Only available in seal kit item 23.
15.		WEAR RING	Only available in seal kit item 23.
16.	2A0024	MW PISTON NUT 1-14	
17.	2A0019	TIE ROD NUT MIDWAY	
18.	2A0012	MW NUT CLEVIS & TIE ROD	
19.	2A0006	MW CAPSCREW	
20.	2A0209	MW PIN CLEVIS BASE END	
21.	2A0208	MW CLEVIS PIN	
22.	2A0132	MW PIN CLIP	
23.	810-144C	SEAL KIT MW 4.25 RPHCYL 4A6104	

**Legend:** ● = 1st revision; ● = 2nd revision; ● = 3rd revision; ● = use up existing stock; ⊗ = not interchangeable; ⊗ ① ● = for example: revision 2 is not interchangeable w/revision 1

**Hydraulic Cylinder (810-148C)**



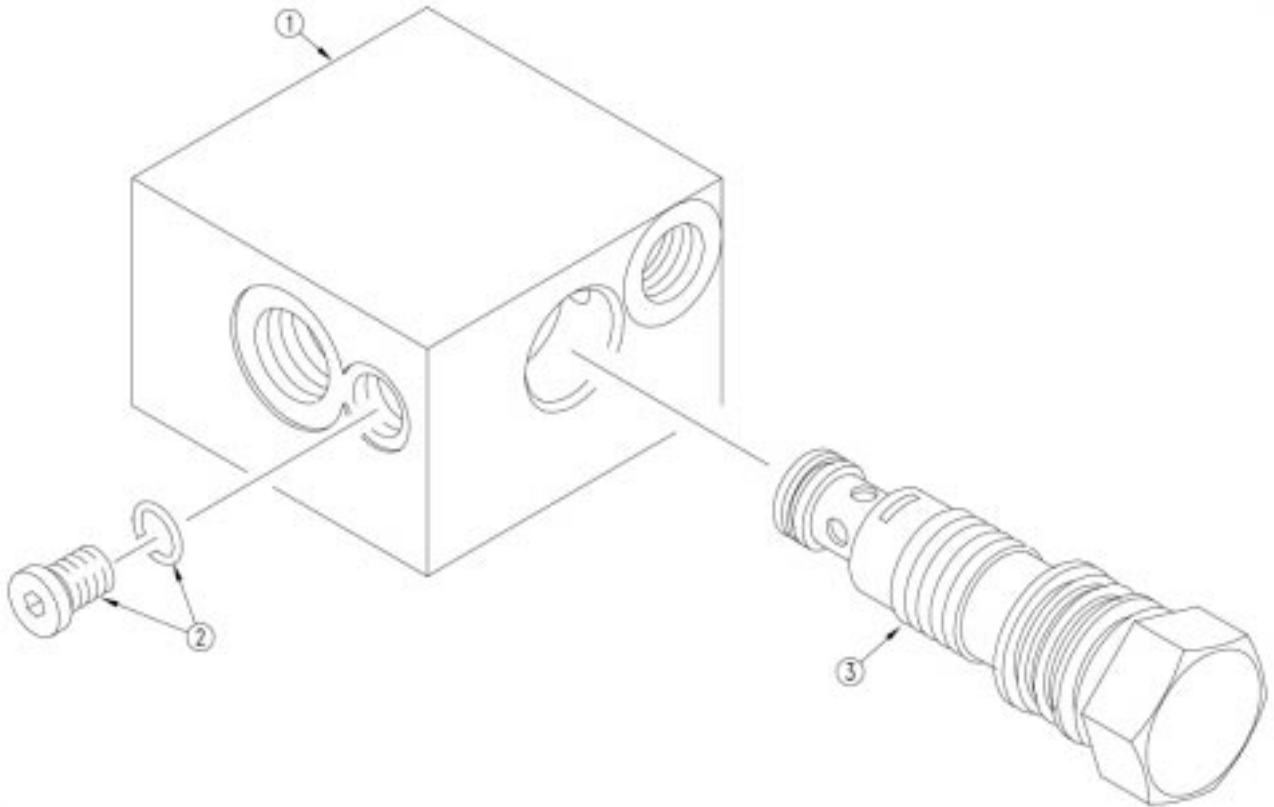
10846

**Hydraulic Cylinder (810-148C)**

Ref.	Part No.	Part Description	Comments
1.	1M7016	CLEVIS ROD MIDWAY	
2.	2M6880	MW ROD	
3.	3R5812	MW HEAD	
4.	4R5108	PISTON MIDWAY	
5.	5R5128	TUBE MIDWAY	
6.	5R5164	MW BASE	
7.	7M6328	MW TIE ROD	
8.		ROD WIPER	Only available in seal kit item 23.
9.		O-RING	Only available in seal kit item 23.
10.		BACK-UP	Only available in seal kit item 23.
11.		O-RING	Only available in seal kit item 23.
12.		BACK-UP	Only available in seal kit item 23.
13.		TEFLON SEAL	Only available in seal kit item 23.
14.		LOADER O-RING	Only available in seal kit item 23.
15.		WEAR RING	Only available in seal kit item 23.
16.	2A0024	MW PISTON NUT 1-14	
17.	2A0018	MW TIE ROD NUT	
18.	2A0012	MW NUT CLEVIS & TIE ROD	
19.	2A0006	MW CAPSCREW	
20.	2A0208	MW CLEVIS PIN	
21.	2A0208	MW CLEVIS PIN	
22.	2A0132	MW PIN CLIP	
23.	810-151C	SEAL KIT MW 4 RPH CYL 4A5103	

**Legend:** ● = 1st revision; ● = 2nd revision; ● = 3rd revision; ● = use up existing stock; ⊗ = not interchangeable; ⊗ ① ● = for example: revision 2 is not interchangeable w/revision 1

*Pilot Operated Check Valve (810-086C)*



10036

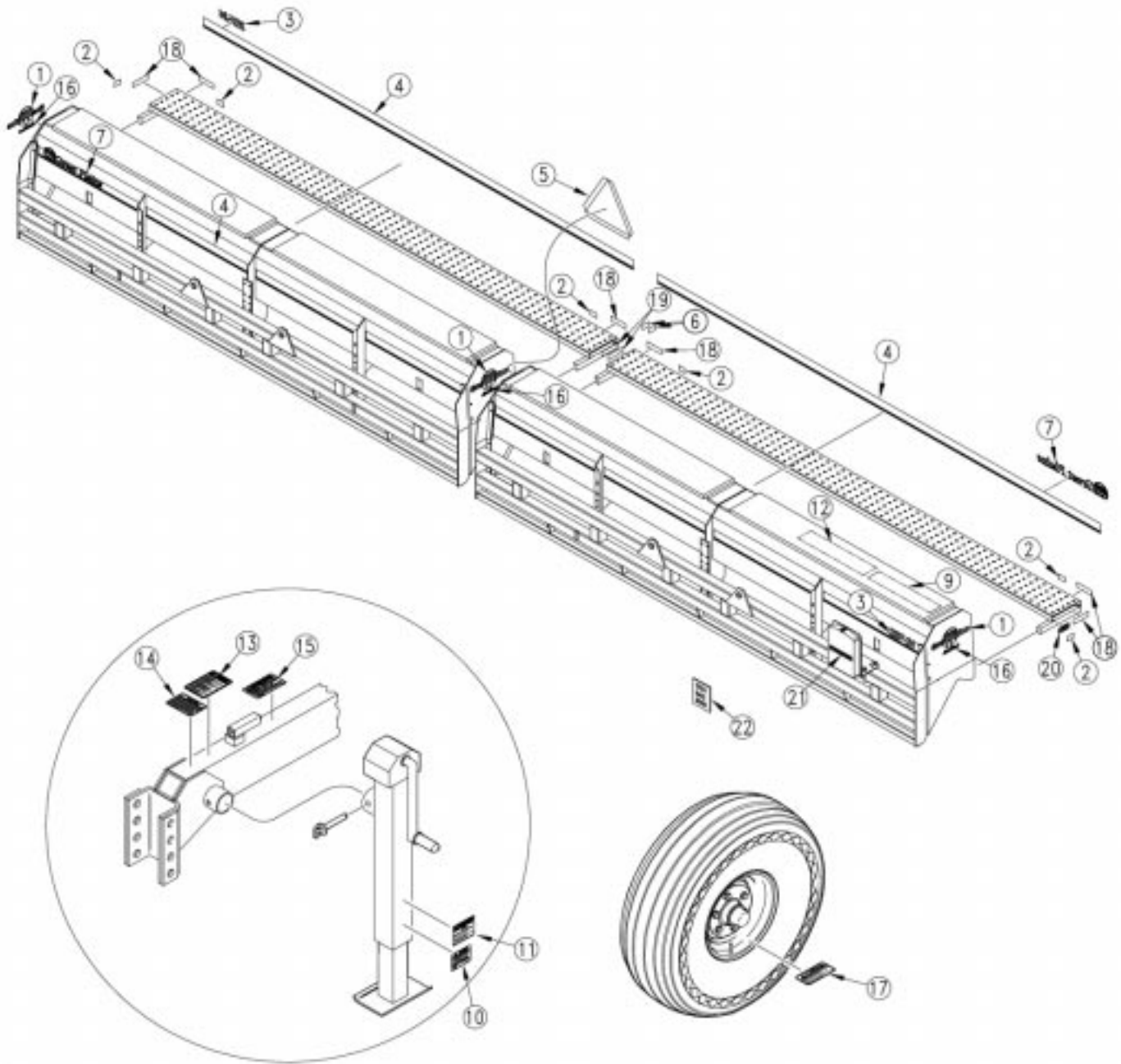


**Pilot Operated Check Valve (810-086C)**

Ref.	Part No.	Part Description	Comments
1.	8044	MW VALVE BODY	6-1-98+
	3084	MW VALVE BODY	5-31-98-
2.	1151	MW CARTRODGE CLCD-XCN	
3.	PCPIL-10-30-30	SHOEMAKER CARTRIDGE, PILOT CHK	6-1-98+
	1132-4	SHOEMAKER PLUG, HEX SOCKET	5-31-98-

**Legend:** ① = 1st revision; ② = 2nd revision; ③ = 3rd revision; ● = use up existing stock; ⊗ = not interchangeable; ⊗ ① ② = for example: revision 2 is not interchangeable w/revision 1

*Decal Placement*



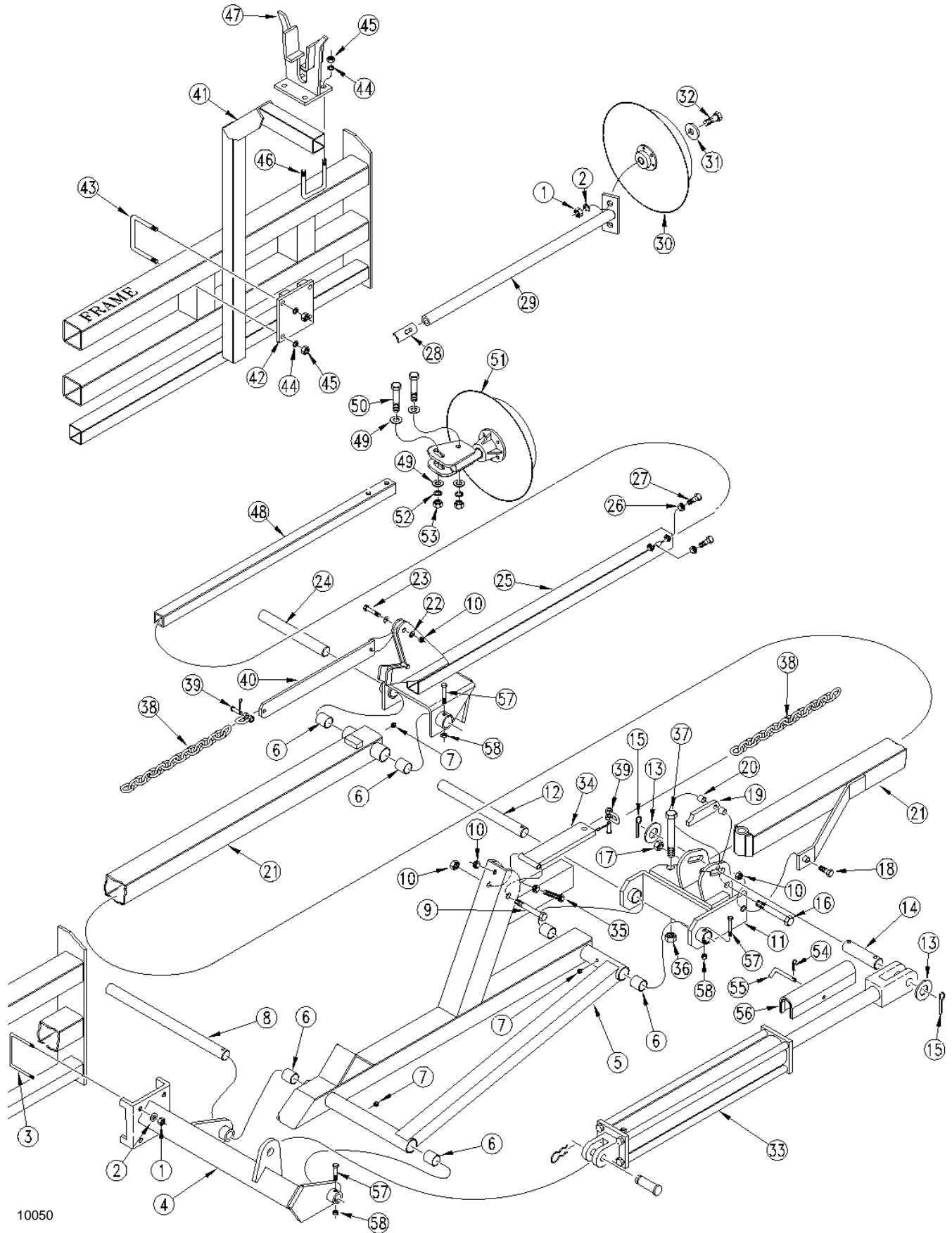
11365

**Decal Placement**

Ref.	Part No.	Part Description	Comments
1.	⊗ 838-228C	DECAL GREAT PLAINS ON LOGO SML	2000 and above.
	① 818-013C	DECAL SOLID STAND 24'	1999 and below.
	① 818-014C	DECAL SOLID STAND 30'	1999 and below.
2.	818-229C	DECAL AMBER REFLECTOR	Model year 2000-
3.	⊗ 838-199C	DECAL 2SF-24	2000 and above.
	⊗ 838-200C	DECAL 2SF-30	2000 and above.
	① 818-061C	DECAL SOLID STAND FOLDING DRIL	1999 and below.
4.	⊗ 838-160C	DECAL 3 COLOR STRIPE 2.50 WIDE	2000 and above.
	① 818-064C	DECAL BUCKSKIN W/STRIPES/FT	1999 and below.
5.	818-055C	DECAL SLOW MOVING-GALV. BACKED	
6.	818-230C	DECAL RED REFLECTOR	Model year 2000-
7.	⊗ 838-168C	DECAL LOGO&GP F/STRIPE 6 X 35	2000 and above.
	① 818-052C	DECAL GREAT PLAINS W/LOGO	1999 and below.
8.	818-048C	DECAL GP SOLID STAND W/LOGO	Not shown. 1999 and below.
9.	818-070C	DECAL SEED RATE & ADJ SS & FP	2003 and below.
10.	818-020C	DECAL CAUTION TIRE DAMAGE HAZ	
11.	818-019C	DECAL WARNING NEG TONGUE WT	
12.	818-280C	DECAL SOLID STAND PEA	
13.	818-078C	DECAL CAUTION FP-HC-MF-24&30	
14.	818-043C	DECAL LIFT CYL OPERATING INSTR	
15.	818-188C	DECAL WARNING 20 MPH TRANS LR	
16.	838-158C	DECAL SCRIPT SOLID STAND SMALL	2000 and above.
17.	818-752C	DECAL CAUTION TIRE 52 PSI	
18.	838-265C	DECAL REFLECTOR AMBER 1 1/2X9	Model year 2001+
19.	838-266C	DECAL REFLECTOR RED 1 1/2X9	Model year 2001+
20.	838-102C	DECAL DANGER FALLING HAZZARD	
21.	838-482C	DECAL GP PLANTING COMPONENTS	
22.	202-499B	2SNG/2SF 24&30 SEEDRATE BOOK	2004 and above.

**Legend:** ① = 1st revision; ⊗ = 2nd revision; ⊕ = 3rd revision; ● = use up existing stock; ⊗ = not interchangeable; ⊗ ⊕ ⊗ = for example: revision 2 is not interchangeable w/revision 1

Flat Fold Marker Assembly



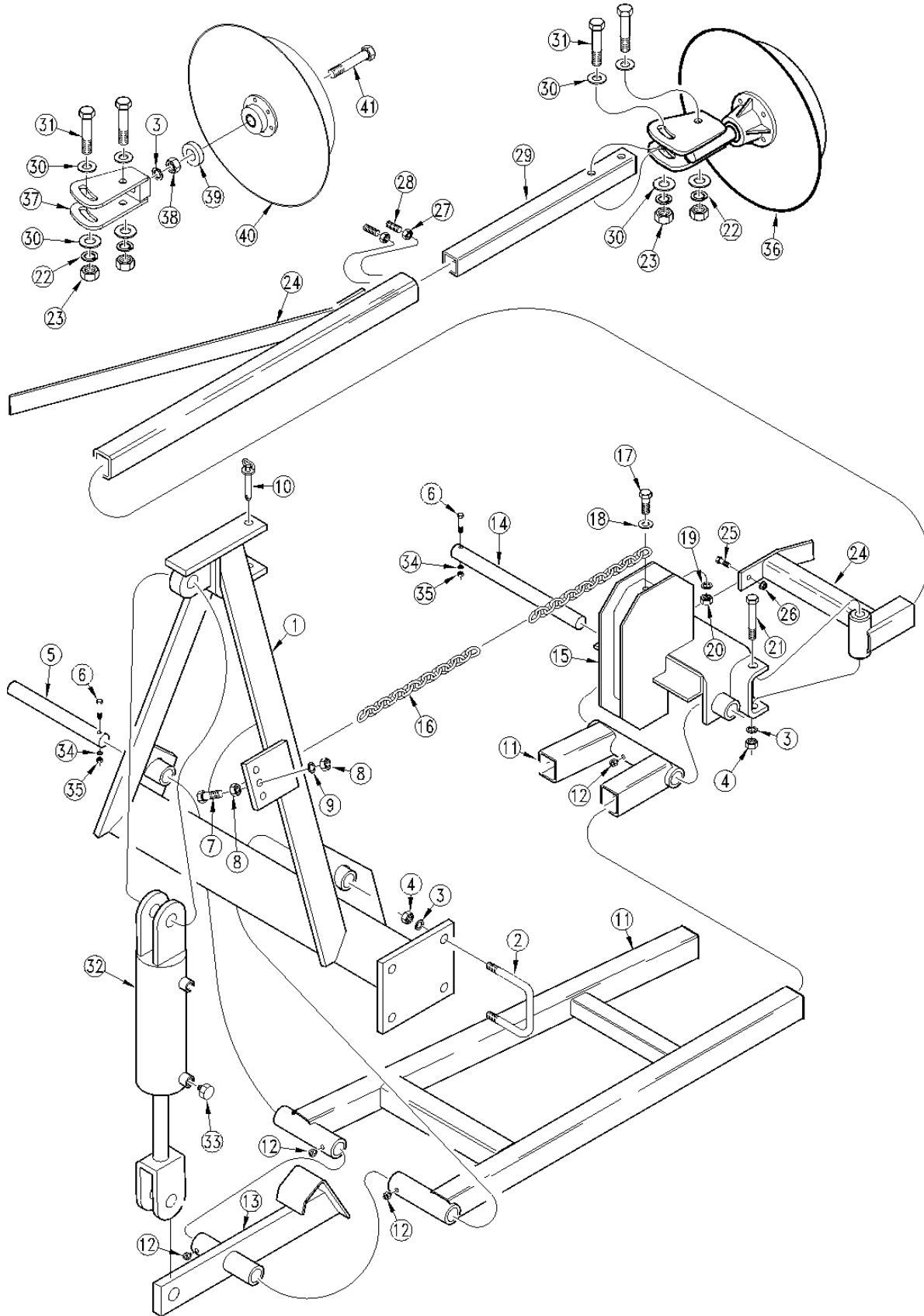
10050

## Flat Fold Marker Assembly

Ref.	Part No.	Part Description	Comments
1.	803-021C	NUT HEX 5/8-11 PLT	
2.	804-022C	WASHER LOCK SPRING 5/8 PLT	
3.	806-006C	U-BOLT 5/8-11 X 3 17/32 X 5	
4.	113-199H	RH MARKER MOUNT	
	113-179H	LH MARKER MOUNT	
5.	113-188H	RH FIRST SECTION	
	113-180H	LH FIRST SECTION	
6.	890-005C	BUSHING CYL 1 1/4 X 1 X 1	
7.	800-001C	GREASE ZERK STRAIGHT 1/4-28	
8.	113-312D	FIRST PIVOT SHAFT	
9.	802-168C	HHCS 3/8-16X3 1/4 GR5	
10.	803-013C	NUT LOCK 3/8-16 PLT	
11.	113-189H	LIFT LUG CHANNEL RH	
	113-181H	LIFT LUG CHANNEL LH	
12.	113-313D	SECOND PIVOT SHAFT	
13.	804-029C	WASHER FLAT 1 SAE	
14.	113-248D	MARKER CYLINDER PIN BODY	
15.	805-058C	PIN COTTER 3/16 X 2	
16.	802-201C	HHCS 1/2-13X4 3/4 GR5	
17.	803-019C	NUT LOCK 1/2-13 PLT	
18.	802-266C	HHCS 3/8-16X2 GR2	
19.	113-324D	CYLINDER STOP	
20.	113-325D	STOP BUSHING	
21.	113-195H	RH SECOND SECTION	Used on 2SF24.
	113-192H	LH SECOND SECTION	Used on 2SF24.
	113-190H	RH 2ND SECTION	Used on 2SF30.
	113-182H	LH SECOND SECTION	Used on 2SF30.
22.	804-011C	WASHER FLAT 3/8 USS PLT	
23.	802-022C	HHCS 3/8-16X1 1/2 GR5	
24.	113-311D	HINGE PIN	
25.	113-196H	24' F.F. MKR. 3RD. SECTION	
	113-183H	30' F.F. MKR. 3RD. SECTION	
26.	803-036C	NUT HEX JAM 1/2-13 PLT	
27.	② 801-054C	SCREW SET SQ HD. 1/2-13X1 GR5	Use with item 48.
	① 801-013C	SCREW SET SQ HD 1/2-13X1 1/2G5	Use with item 29.
28.	113-147H	MARKER CLAMP ADJUSTMENT	
29.	113-194H	24' MARKER TUBE WELDMENT	Not available. Replaced by item 48 on this page & items 22, 23, 30, 31, 37-41 on page 11-3.
	113-184H	30' MARKER TUBE WELDMENT	Not available. Replaced by item 48 on this page & items 22, 23, 30, 31, 37-41 on page 11-3.
30.	② 113-305K	MARKER DISK & DEPTH BAND ASSY	Refer to page 11-9 for breakdown.
	● ① 113-007H	M DSK&BRG ASSY RPLBY 113-305K	Not available.
31.	107-096D	BRG FLANGE DUST COVER	
32.	802-059C	HHCS 5/8-11X3 GR5	
33.	② 810-118C	CYL 2.5X20X1.12 ROD (TIE)1 PIN	Refer to page 11-23 & page 11-25 for breakdown.
	① 810-019C	CYL 3X20X1.25 ROD (TIE ROD)	Refer to page 11-27 for breakdown.
34.	113-200H	CHAIN BAR WELDMENT	
35.	802-261C	HHCS 3/8-16X2 1/2 GR5 FTHD	
36.	803-148C	NUT HEX NYLOCK 5/8-11 PLT	
37.	802-254C	HHCS 5/8-11X5 1/2 GR5	
38.	113-328D	24' MARKER CHAIN	
	113-319D	MARKER CHAIN 30'	
39.	890-018C	5/16 x 1 1/4 UTILITY CLEVIS	
40.	113-323D	CHAIN BAR	
41.	113-197H	MARKER CARRIER	
42.	113-310D	CLAMP PLATE	Used on 2SF30.
	113-218H	TRANSPORT ARM MOUNT	Used on 2SF24.
43.	806-042C	U-BOLT 1/2-13 X 3 1/2 X 6 1/2	
44.	804-015C	WASHER LOCK SPRING 1/2 PLT	
45.	803-020C	NUT HEX 1/2-13 PLT	
46.	806-005C	U-BOLT 1/2-13 X 2 X 3 GR 5	
47.	113-198H	SUPPORT ARM SADDLE	
48.	113-351D	MARKER TUBE 42 LG	
49.	804-017C	WASHER FLAT 1/2 USS PLT	
50.	⊗ ① ② 802-041C	HHCS 1/2-13X3 1/2 GR5	
	① 802-039C	HHCS 1/2-13X3 GR5	
51.	⊗ ① ② 113-563S	MARKER DISC & HUB ASSEMBLY	Refer to page 11-5 for breakdown.
	① 113-364S	REPLACED BY 113-563S	Refer to page 11-7 for breakdown.
52.	804-015C	WASHER LOCK SPRING 1/2 PLT	
53.	803-020C	NUT HEX 1/2-13 PLT	
54.	805-031C	PIN HAIR COTTER .092 WIRE	
55.	805-152C	BENT PIN 3/8 X 2 1/2 USE W/COT	
56.	113-289S	CYL LOCK CHNL FF MARKERS	
57.	802-115C	HHCS 5/16-18X2 GR5	
58.	803-011C	NUT LOCK 5/16-18 PLT	

Legend: ● = 1st revision; ② = 2nd revision; ③ = 3rd revision; ● = use up existing stock; ⊗ = not interchangeable; ⊗ ① ② = for example: revision 2 is not interchangeable w/revision 1

Standard Marker



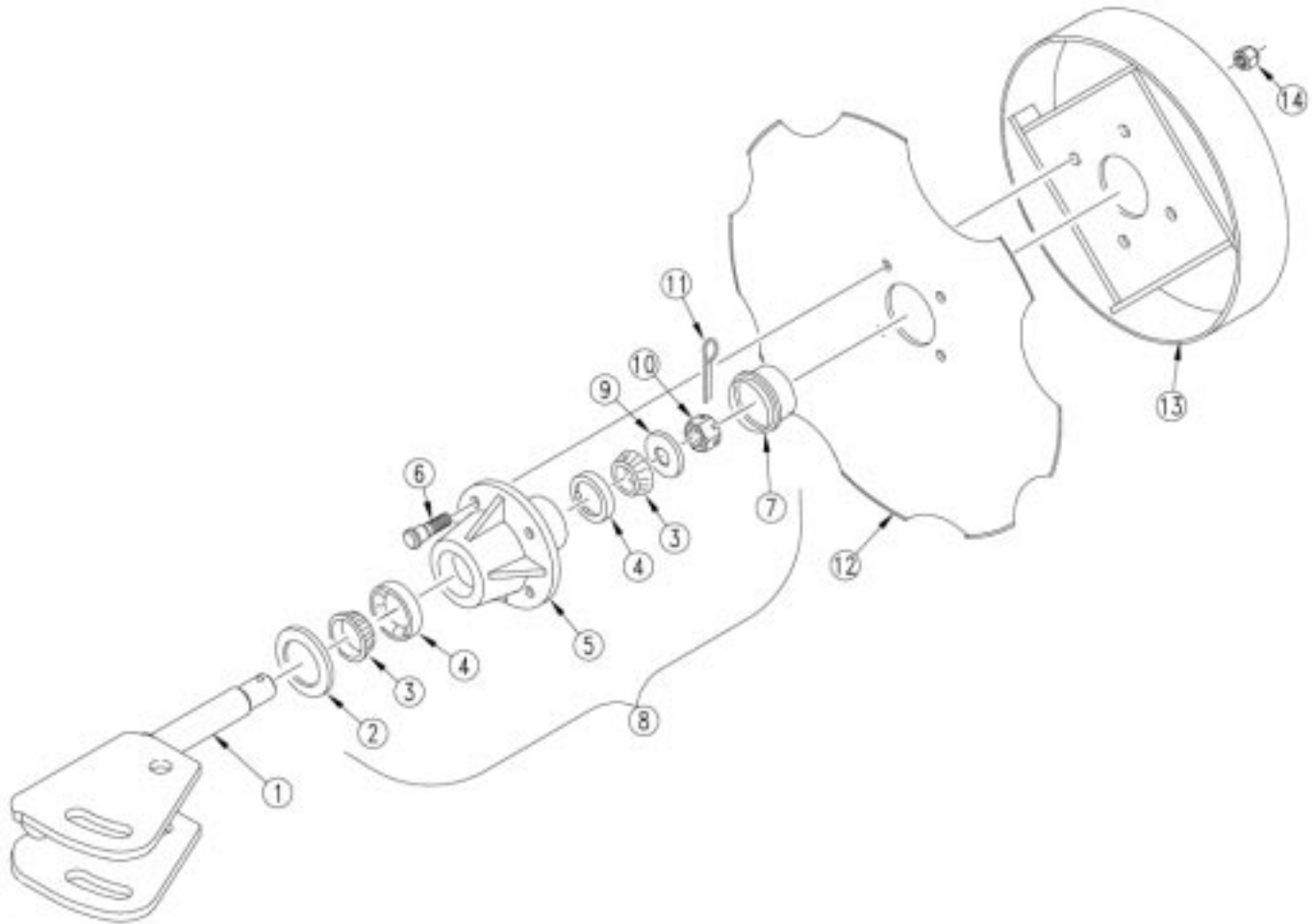
10227

**Standard Marker**

Ref.	Part No.	Part Description	Comments
1.	113-061H	RH FOLDING MARKER MOUNT WELDMT	
	113-060H	LH FOLDING MARKER MOUNT WELDMT	
2.	806-006C	U-BOLT 5/8-11 X 3 17/32 X 5	
3.	804-022C	WASHER LOCK SPRING 5/8 PLT	
4.	803-021C	NUT HEX 5/8-11 PLT	
5.	113-110D	MARKER BODY PIVOT	
6.	802-152C	HHCS 1/4-20X2 GR5	
7.	802-113C	HHCS 7/16-14X1 3/4 GR5	
8.	803-015C	NUT HEX 7/16-14 PLT	
9.	804-014C	WASHER LOCK 7/16 PLT	
10.	805-042C	PIN LOCK 1/2 X 3 1/2 USABLE LG	
11.	113-063H	MARKER ARM WELDMENT	
12.	800-001C	GREASE ZERK STRAIGHT 1/4-28	
13.	113-062H	MARKER LEVER ARM WELDMENT	
14.	113-111D	HINGE PIVOT BAR	
15.	113-066H	LH EXT PIVOT BRACKET WELDMENT	
	113-067H	RH EXT PIVOT BRACKET WELDMENT	
16.	113-132D	CHAIN 1/4X94 INCHES PROOF PLT	
17.	802-079C	HHCS 3/8-16X1 1/4 GR5	
18.	804-011C	WASHER FLAT 3/8 USS PLT	
19.	804-013C	WASHER LOCK SPRING 3/8 PLT	
20.	803-014C	NUT HEX 3/8-16 PLT	
21.	802-062C	HHCS 5/8-11X5 GR5	
22.	804-015C	WASHER LOCK SPRING 1/2 PLT	
23.	803-020C	NUT HEX 1/2-13 PLT	
24.	113-064H	RH MARKER EXTENSION WELDMENT	
	113-065H	LH MARKER EXTENSION WELDMENT	
25.	802-247C	HHCS 5/16-18X2 GR2	
26.	803-011C	NUT LOCK 5/16-18 PLT	
27.	803-036C	NUT HEX JAM 1/2-13 PLT	
28.	801-054C	SCREW SET SQ HD. 1/2-13X1 GR5	
29.	113-355D	MARKER TUBE 57 LONG	
	113-354D	13' MARKER TUBE 46 1/2 LONG	
30.	804-017C	WASHER FLAT 1/2 USS PLT	
31.	⊗ ① ② <b>802-041C</b>	<b>HHCS 1/2-13X3 1/2 GR5</b>	
	① <b>802-039C</b>	<b>HHCS 1/2-13X3 GR5</b>	
32.	810-005C	CYL 2X8X1.12 ROD SINGLE ACTING	Refer to page 11-29 for breakdown.
33.	811-019C	PL 3/8MNPT BREATHER	
34.	804-006C	WASHER LOCK SPRING 1/4 PLT	
35.	② <b>803-007C</b>	<b>NUT LOCK 1/4-20 PLT</b>	
	① <b>803-006C</b>	<b>NUT HEX 1/4-20 PLT</b>	Replaced by 803-006C.
36.	⊗ ① ② <b>113-563S</b>	<b>MARKER DISC &amp; HUB ASSEMBLY</b>	Refer to page 11-5 for breakdown.
	① <b>113-364S</b>	<b>REPLACED BY 113-563S</b>	Refer to page 11-7 for breakdown.
37.	113-281H	MARKER BLADE ADJUSTER WELDMENT	
38.	803-024C	NUT LOCK 5/8-11 PLT	
39.	107-111D	DD BRG FLANGE DUST COVER	
40.	113-305K	MARKER DISK & DEPTH BAND ASSY	Refer to page 11-9 for breakdown.
41.	802-059C	HHCS 5/8-11X3 GR5	

**Legend:** ① = 1st revision; ② = 2nd revision; ③ = 3rd revision; ● = use up existing stock; ⊗ = not interchangeable; ⊗ ① ② = for example: revision 2 is not interchangeable w/revision 1

Marker Disk (113-563S)



16557

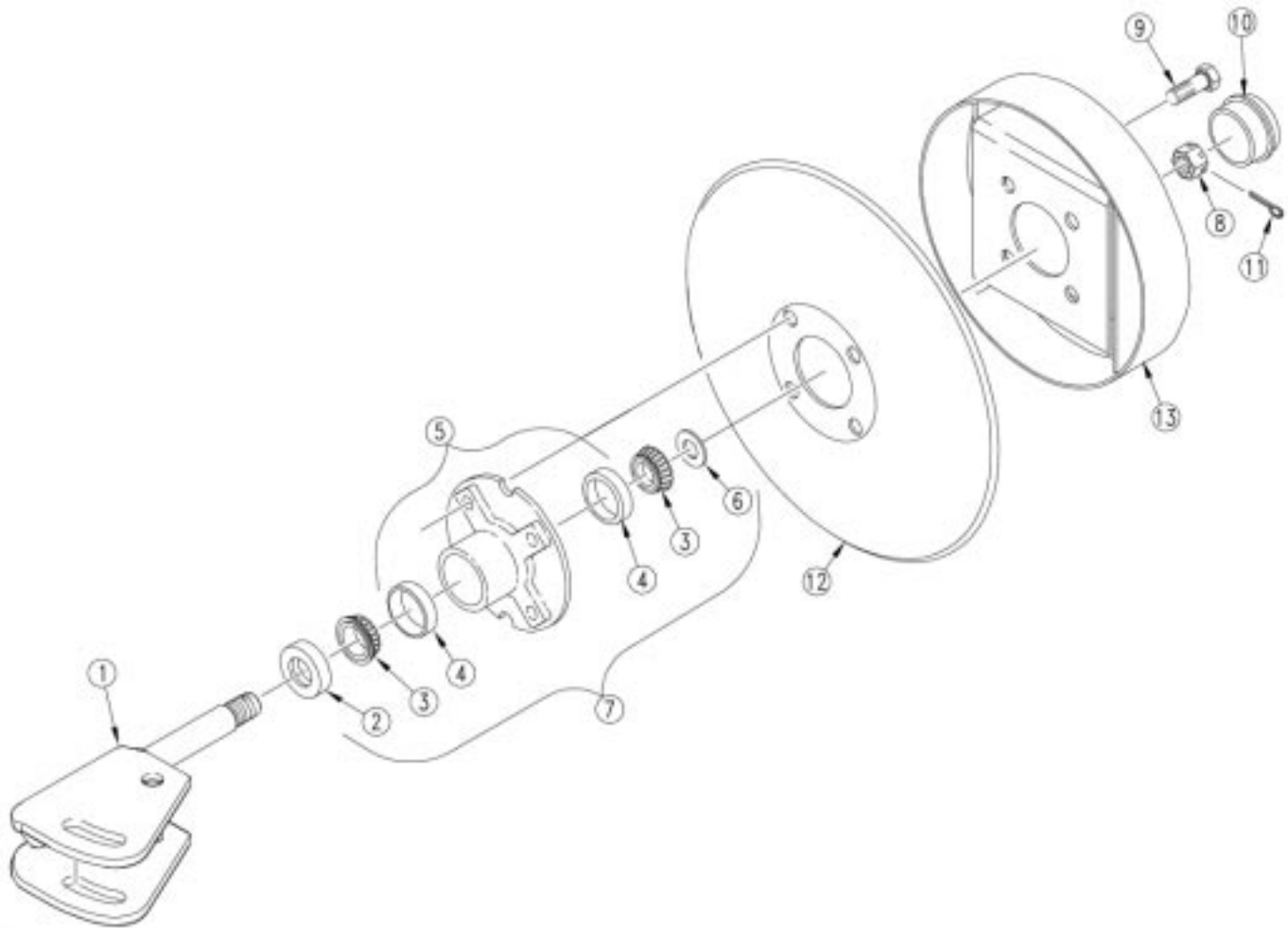


**Marker Disk (113-563S)**

Ref.	Part No.	Part Description	Comments
1.	113-562H	1 SPINDLE MARKER WELDMENT	
2.	816-014C	TINE GAUGE WHEEL HUB SEAL	
3.	822-030C	BEARING CONE L44643	
4.	822-080C	BEARING CUP L44610	
5.	1-100-02-00	RELIABLE HUB 4 BOLT	
6.	⊗ <b>B0-47</b>	<b>NEILSON STUD 1/2-20UNFX1 13/16</b>	
	Ⓛ <b>802-125C</b>	<b>REPBY BO-47) BHSNB 1/2-20X1</b>	
7.	⊗ <b>890-614C</b>	<b>GREASE CAP #1505</b>	
	Ⓛ <b>890-068C</b>	<b>RPBY 890-614C) GREASE CAP#1518</b>	
8.	815-001C	TINE GW HUB	Includes items 2 through 8 and 14.
9.	804-025C	WASHER FLAT 3/4 SAE PLT	
10.	803-053C	NUT HEX SLOTTED 3/4-16	
11.	805-019C	PIN COTTER 5/32 X 1 PLT	
12.	⊗ <b>820-094C</b>	<b>16 4-BOLT NOTCHED MARKER DISK</b>	
	Ⓛ <b>820-098C</b>	<b>14 4-BOLT MARKER DISK</b>	
13.	113-369H	DEPTH BAND 10 4-BOLT 4B.C.	
14.	803-159C	NUT LUG 1/2-20 X 60 DEG PLT	

**Legend:** Ⓛ = 1st revision; ⊗ = 2nd revision; ⊕ = 3rd revision; ● = use up existing stock; ⊗ = not interchangeable; ⊗ Ⓛ ⊕ = for example: revision 2 is not interchangeable w/revision 1

Marker Disk (113-364S)



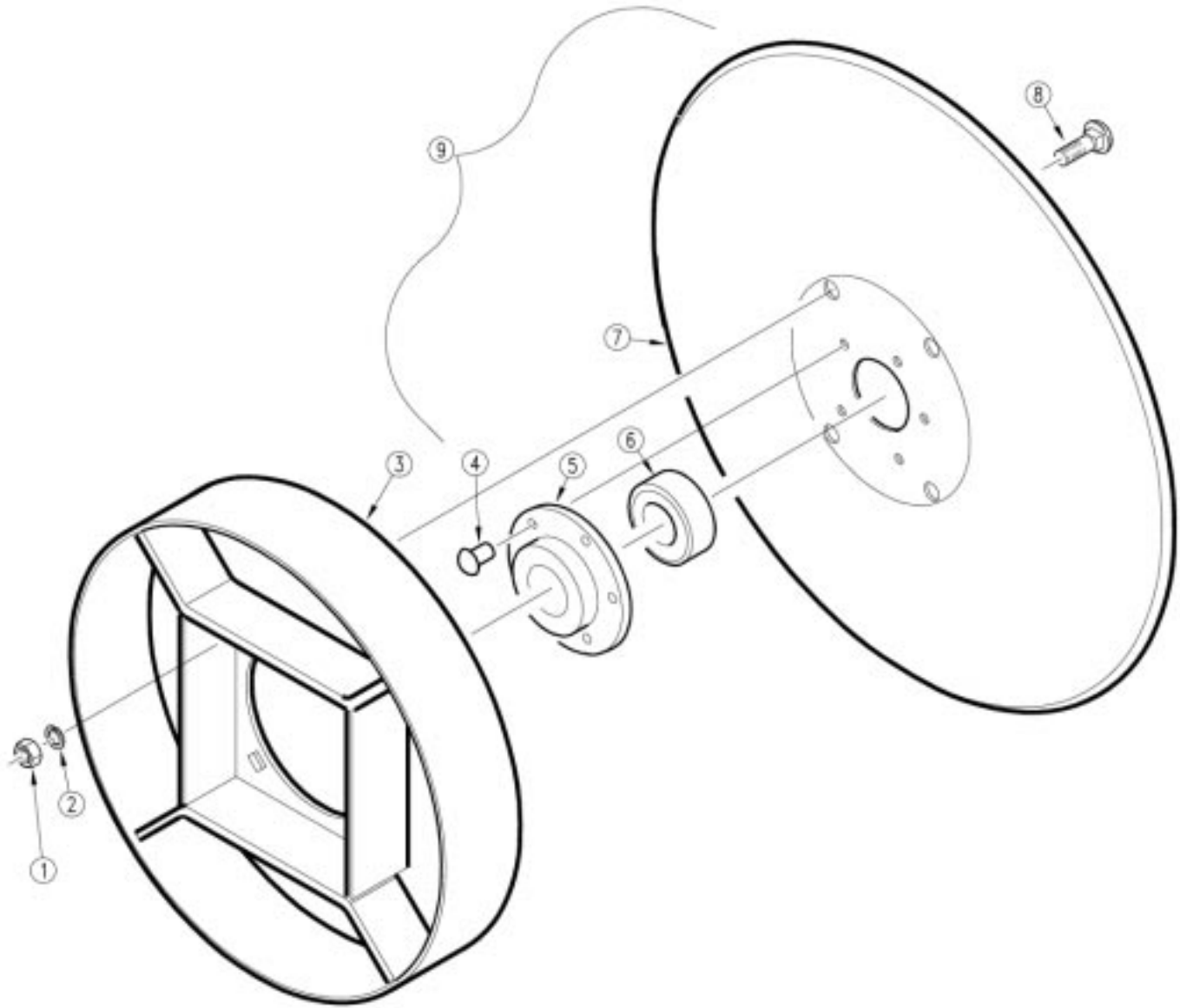
17980

**Marker Disk (113-364S)**

Ref.	Part No.	Part Description	Comments
1.	⊗ 113-562H	1 SPINDLE MARKER WELDMENT	Included in 113-661S.
	Ⓛ 113-363H	MARKER DISK SPINDLE WELDMENT	
2.	816-135C	SEAL 1 X 1.785 X .469	
3.	822-045C	BEARING CONE #LM 11949	
4.	822-050C	BEARING CUP #LM 11910	
5.	⊗ 113-661S	MARKER HUB REPLACEMENT KIT	Includes items 1 and 815-001C. Refer to page 11-5 for breakdown. Not available.
	Ⓛ 815-039C	REPLACED BY 113-661S	
6.	804-021C	WASHER FLAT 5/8 SAE PLT	
7.	⊗ 113-661S	MARKER HUB REPLACEMENT KIT	Includes item 1 and 815-001C. Refer to page 11-5 for breakdown. Not available.
	Ⓛ 815-038C	REPLACED BY 113-661S	
8.	803-185C	NUT HEX SLOTTED 5/8-18 PLT	
9.	802-240C	HHCS 1/2-20X1 GR5	
10.	890-213C	GREASE CAP 1.785 X .89	
11.	805-019C	PIN COTTER 5/32 X 1 PLT	
12.	820-098C	14 4-BOLT MARKER DISK	
13.	113-369H	DEPTH BAND 10 4-BOLT 4B.C.	

**Legend:** Ⓛ = 1st revision; ⊗ = 2nd revision; ⊕ = 3rd revision; ● = use up existing stock; ⊗ = not interchangeable; ⊗ Ⓛ ⊕ = for example: revision 2 is not interchangeable w/revision 1

**Marker Disk (113-305K)**



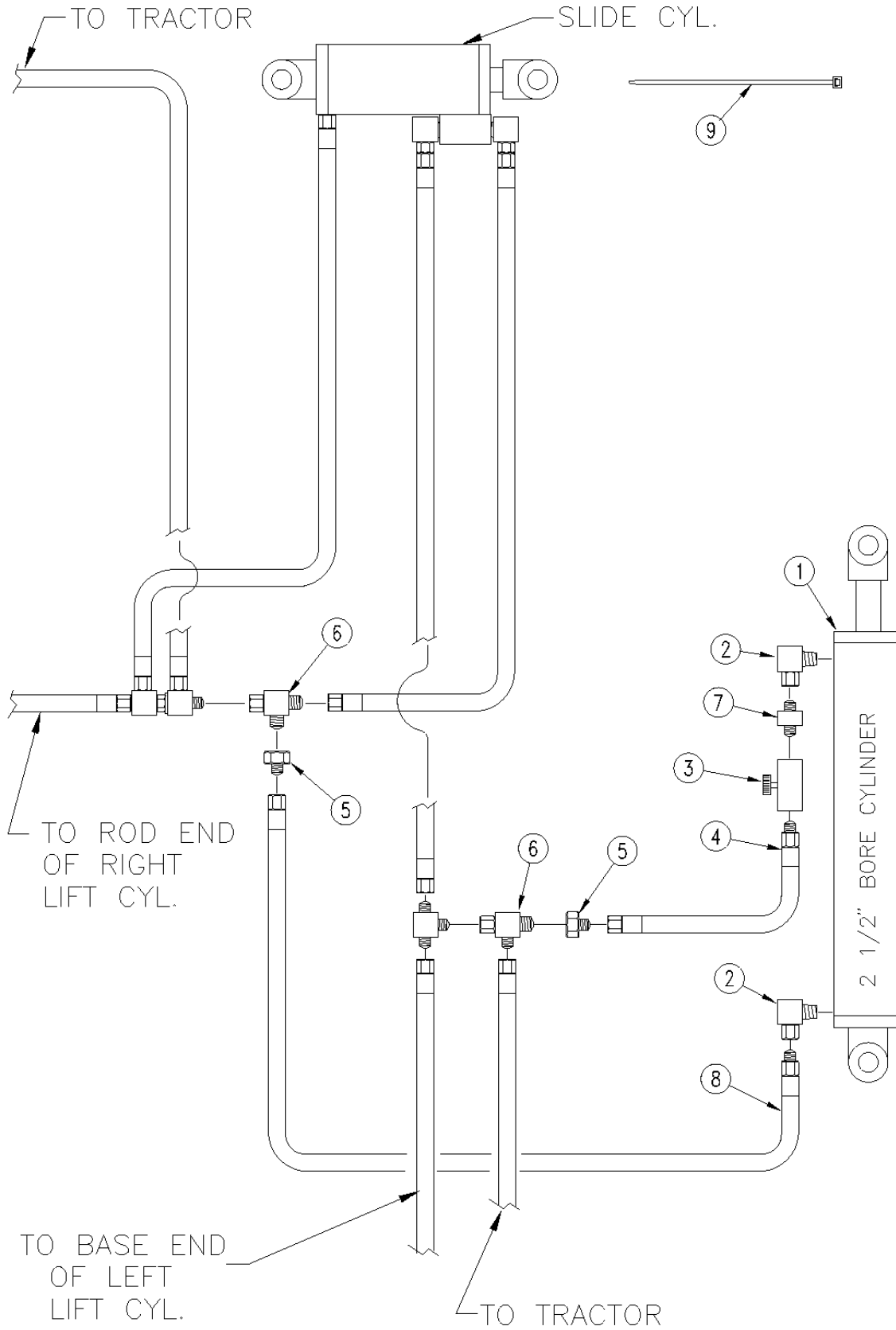
16599

**Marker Disk (113-305K)**

Ref.	Part No.	Part Description	Comments
1.	803-008C	NUT HEX 5/16-18 PLT	
2.	804-009C	WASHER LOCK SPRING 5/16 PLT	
3.	113-304H	MARKER DISK DEPTH BAND WLDMNT.	
4.	800-212C	RIVET,BUTTON HEAD .203 X 9/16	
5.	107-112D	BEARING FLANGE-3/16 DIA HOLES	
6.	188-001V	BEARING AA205DD	
7.	820-083C	MARKER DISK	
8.	802-092C	RHSNB 5/16-18X3/4 GR5	
9.	113-303S	MARKER DISK & BEARING ASSEMBLY	Includes items 4 through 7.

**Legend:** ① = 1st revision; ② = 2nd revision; ③ = 3rd revision; ● = use up existing stock; ⊗ = not interchangeable; ⊗ ① ② = for example: revision 2 is not interchangeable w/revision 1

Single Marker Hydraulics



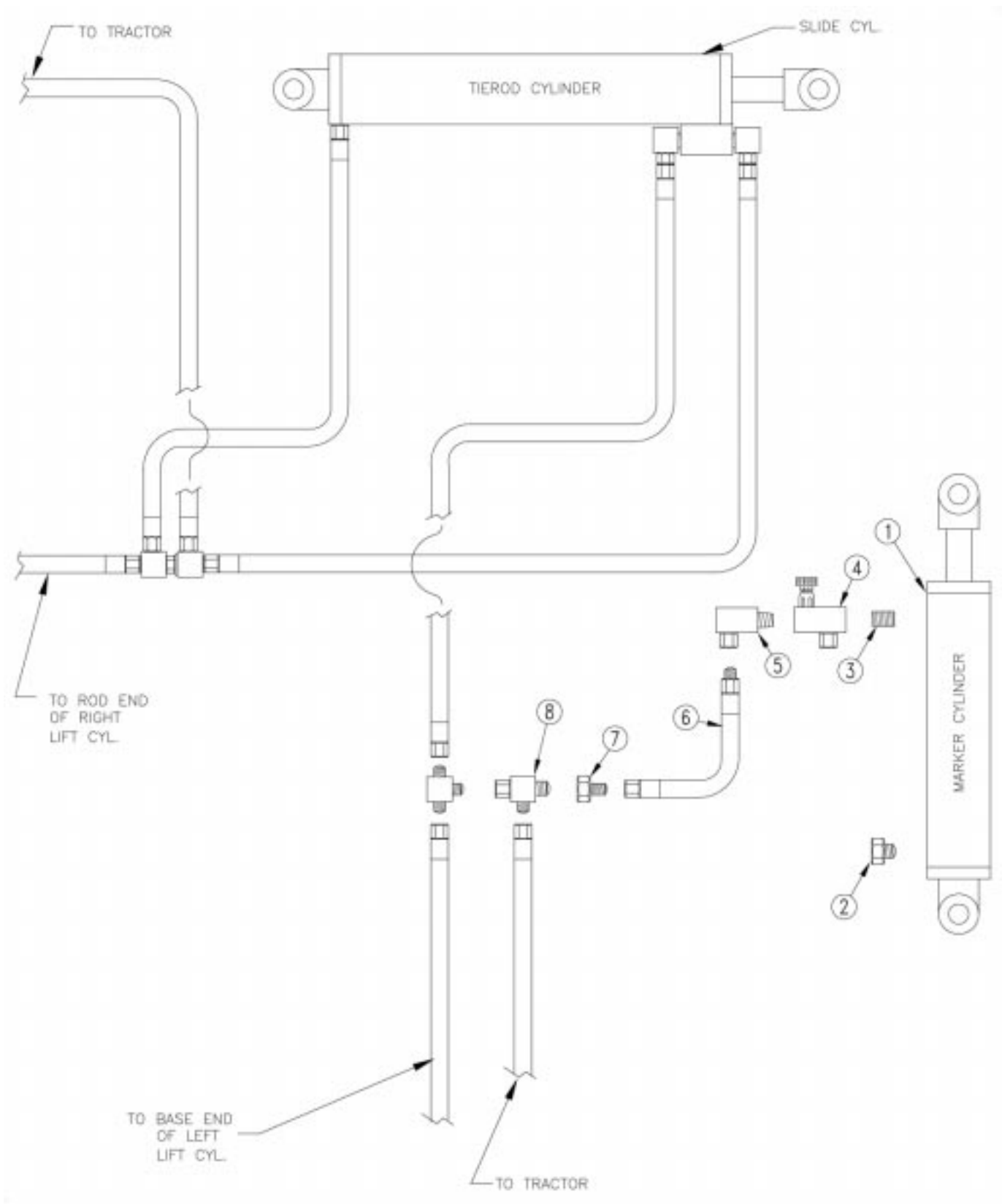
10057

**Single Marker Hydraulics**

Ref.	Part No.	Part Description	Comments
1.	⊗ 810-118C	CYL 2.5X20X1.12 ROD (TIE)1 PIN	1990+. Refer to page 11-23 & page 11-25 for breakdown.
	Ⓢ 810-019C	CYL 3X20X1.25 ROD (TIE ROD)	1989-. Refer to page 11-27 for breakdown.
2.	811-213C	EL 3/8MNPT 1/2MNPT	
3.	810-058C	VALVE 3/8 NEEDLE	
4.	811-293C	HH1/4R1 272 3/8MNPT 9/16FJIC	
	811-295C	HH1/4R1 236 3/8MNPT 9/16FJIC	
5.	811-146C	AD 3/4FJIC 9/16MJIC	
6.	811-073C	TE 3/4MJIC 3/4MJIC 3/4FJIC	
7.	811-214C	EL 1/2MNPT 3/8FNPT	
8.	811-035C	HH1/4R1 252 9/16FJIC 3/8MNPT	
	811-036C	HH1/4R1 216 9/16FJIC 3/8MNPT	
9.	800-082C	CABLE TIE .31X21.5 6DIA 120LB	

**Legend:** Ⓢ = 1st revision; ⊗ = 2nd revision; ⊕ = 3rd revision; ● = use up existing stock; ⊗ = not interchangeable; ⊗ ⊕ ⊗ = for example: revision 2 is not interchangeable w/revision 1

Single Marker-Single Acting Hydraulics



11367

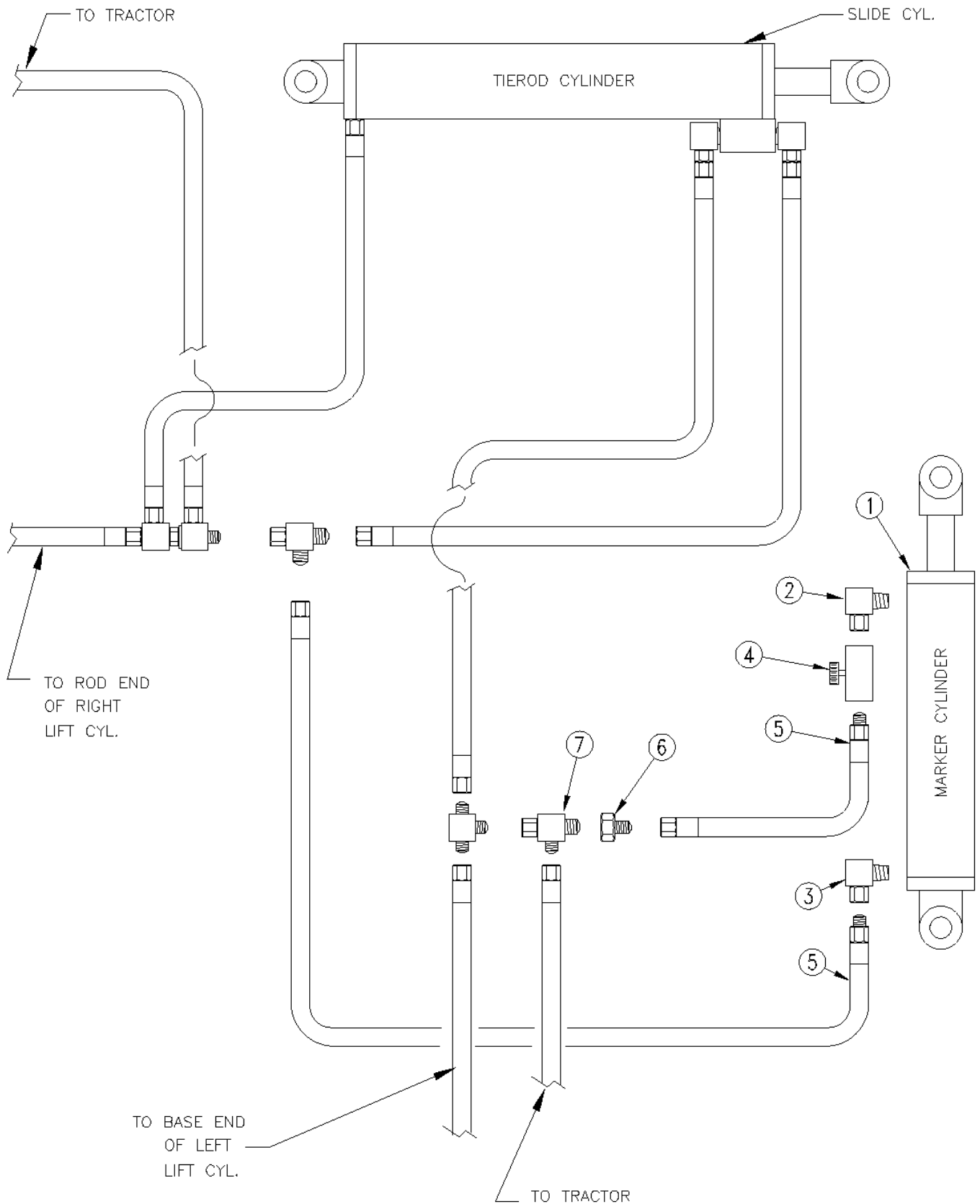


**Single Marker-Single Acting Hydraulics**

Ref.	Part No.	Part Description	Comments
1.	810-005C	CYL 2X8X1.12 ROD SINGLE ACTING	Refer to page 11-29 for breakdown.
2.	811-019C	PL 3/8MNPT BREATHER	
3.	811-044C	AD 3/8MNPT	
4.	810-024C	ONE-WAY RESTRICTOR VALVE	
5.	811-050C	EL 3/8MNPT 3/8FNPTS	
6.	811-036C	HH1/4R1 216 9/16FJIC 3/8MNPT	
	811-035C	HH1/4R1 252 9/16FJIC 3/8MNPT	
7.	811-146C	AD 3/4FJIC 9/16MJIC	
8.	811-073C	TE 3/4MJIC 3/4MJIC 3/4FJIC	

**Legend:** ① = 1st revision; ② = 2nd revision; ③ = 3rd revision; ● = use up existing stock; ⊗ = not interchangeable; ⊗ ① ② = for example: revision 2 is not interchangeable w/revision 1

Single Marker-Double Acting Hydraulics



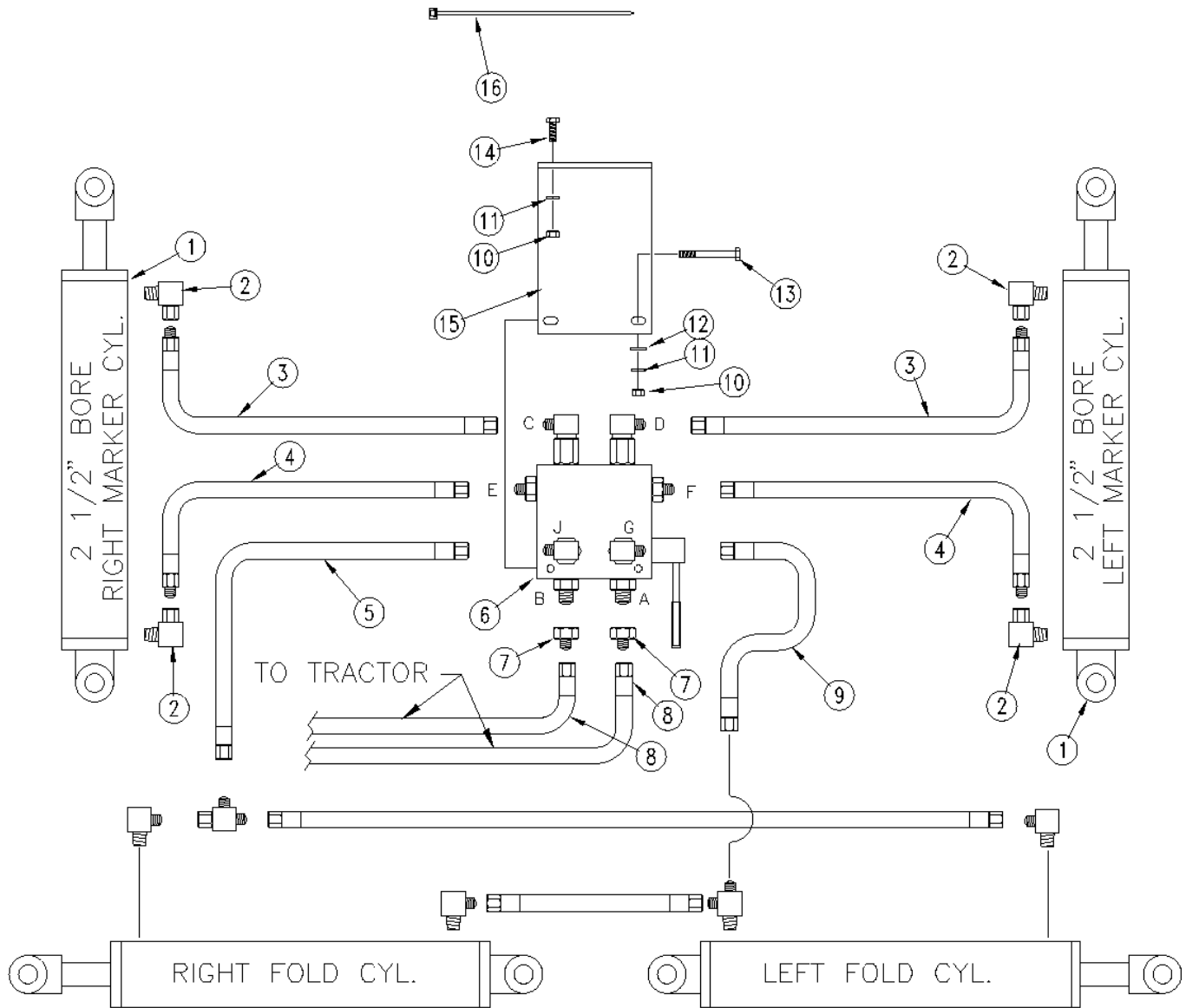
11368

**Single Marker-Double Acting Hydraulics**

Ref.	Part No.	Part Description	Comments
1.	810-005C	CYL 2X8X1.12 ROD SINGLE ACTING	Refer to page 11-29 for breakdown.
2.	811-026C	EL 3/8MNPT 3/8FNPT	
3.	811-156C	EL 3/8MNPT	
4.	810-058C	VALVE 3/8 NEEDLE	
5.	811-035C	HH1/4R1 252 9/16FJIC 3/8MNPT	
	811-036C	HH1/4R1 216 9/16FJIC 3/8MNPT	
6.	811-146C	AD 3/4FJIC 9/16MJIC	
7.	811-073C	TE 3/4MJIC 3/4MJIC 3/4FJIC	

**Legend:** ① = 1st revision; ② = 2nd revision; ③ = 3rd revision; ● = use up existing stock; ⊗ = not interchangeable; ⊗ ① ② = for example: revision 2 is not interchangeable w/revision 1

Dual Marker Hydraulics



10056

**Dual Marker Hydraulics**

Ref.	Part No.	Part Description	Comments
1.	⊗ 810-118C	CYL 2.5X20X1.12 ROD (TIE)1 PIN	1990+. Refer to page 11-23 & page 11-25 for breakdown.
	Ⓢ 810-019C	CYL 3X20X1.25 ROD (TIE ROD)	1989-. Refer to page 11-27 for breakdown.
2.	811-281C	EL 3/8FNPT 9/16MORB	
3.	811-293C	HH1/4R1 272 3/8MNPT 9/16FJIC	
	811-295C	HH1/4R1 236 3/8MNPT 9/16FJIC	
4.	811-035C	HH1/4R1 252 9/16FJIC 3/8MNPT	
	811-036C	HH1/4R1 216 9/16FJIC 3/8MNPT	
5.	811-056C	HH1/4R2 045 9/16FJIC	
6.	810-085C	VALVE SELECTOR/SEQUENCE	Refer to page 11-31 for breakdown.
7.	811-146C	AD 3/4FJIC 9/16MJIC	
8.	811-058C	HH1/4R2 303 9/16FJIC 1/2MNPT	
9.	811-057C	HH1/4R2 020 9/16FJIC	
10.	803-014C	NUT HEX 3/8-16 PLT	
11.	804-013C	WASHER LOCK SPRING 3/8 PLT	
12.	804-011C	WASHER FLAT 3/8 USS PLT	
13.	802-024C	HHCS 3/8-16X3 GR5	
14.	802-017C	HHCS 3/8-16X1 GR5	
15.	113-154D	DOUBLE SELECTOR VALVE MOUNT	
16.	800-082C	CABLE TIE .31X21.5 6DIA 120LB	

**Legend:** Ⓢ = 1st revision; ⊗ = 2nd revision; ⊗ = 3rd revision; ● = use up existing stock; ⊗ = not interchangeable; ⊗ ⊓ = for example: revision 2 is not interchangeable w/revision 1

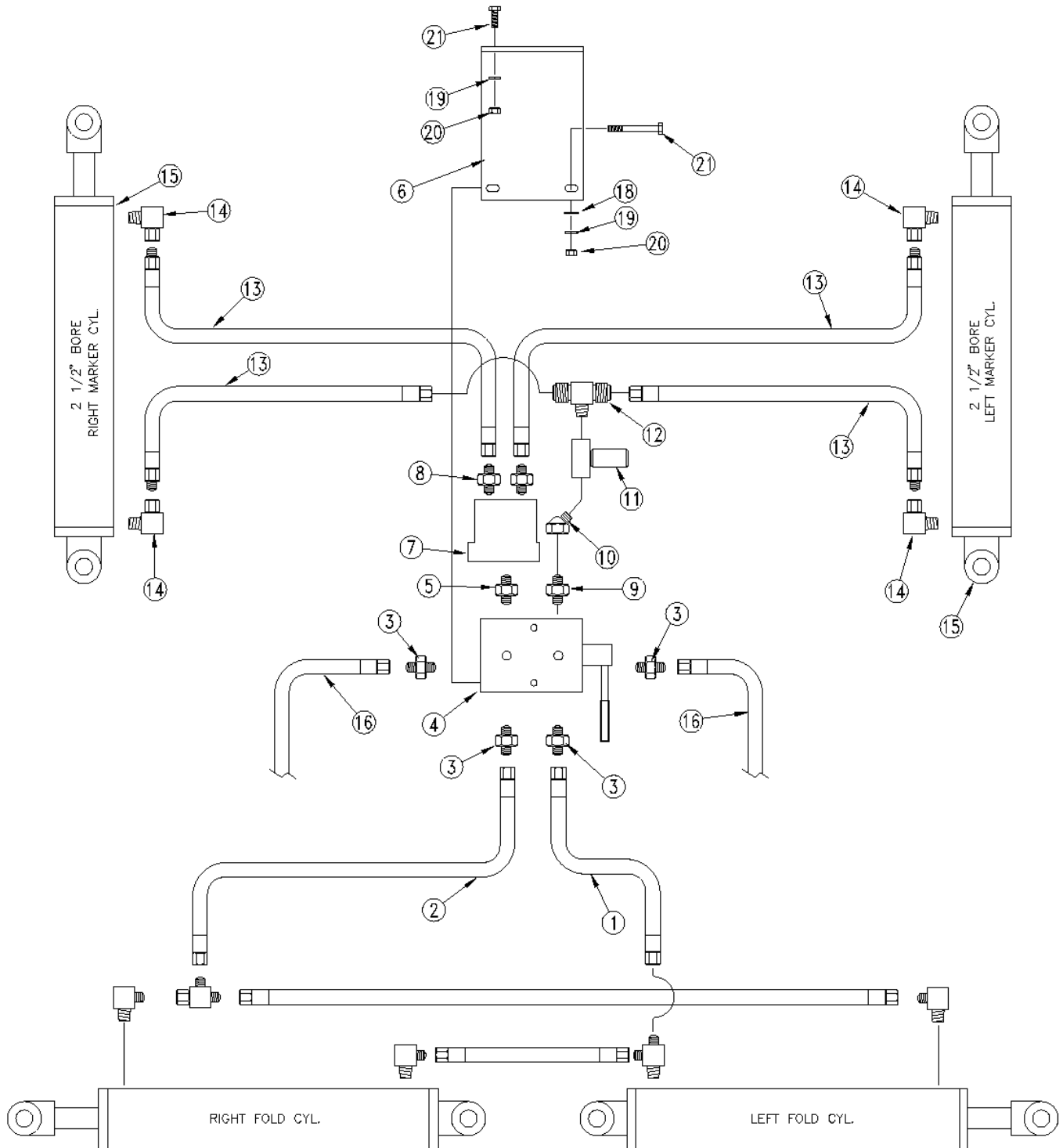


**Dual Marker-Single Acting Hydraulics**

Ref.	Part No.	Part Description	Comments
1.	811-057C	HH1/4R2 020 9/16FJIC	
2.	811-056C	HH1/4R2 045 9/16FJIC	
3.	811-066C	AD 9/16MJIC 1/2MNPT	
4.	810-023C	DOUBLE SELECTOR VALVE	Refer to page 11-33 for breakdown.
5.	811-016C	AD 3/4MORB 1/2MNPT	
6.	811-045C	PL 1/2MNPT SQ HD	
7.	810-006C	VALVE SEQUENCE	Refer to page 11-35 for breakdown.
8.	811-133C	AD 9/16MJIC 3/4MORB	
9.	811-035C	HH1/4R1 252 9/16FJIC 3/8MNPT	
	811-036C	HH1/4R1 216 9/16FJIC 3/8MNPT	
10.	811-058C	HH1/4R2 303 9/16FJIC 1/2MNPT	
11.	810-005C	CYL 2X8X1.12 ROD SINGLE ACTING	Refer to page 11-29 for breakdown.
12.	811-019C	PL 3/8MNPT BREATHER	
13.	811-044C	AD 3/8MNPT	
14.	810-024C	ONE-WAY RESTRICTOR VALVE	
15.	811-050C	EL 3/8MNPT 3/8FNPTS	
16.	113-154D	DOUBLE SELECTOR VALVE MOUNT	
17.	802-147C	HHCS 3/8-16X3 1/2 GR5	
18.	804-011C	WASHER FLAT 3/8 USS PLT	
19.	804-013C	WASHER LOCK SPRING 3/8 PLT	
20.	803-014C	NUT HEX 3/8-16 PLT	
21.	802-017C	HHCS 3/8-16X1 GR5	

**Legend:** ● = 1st revision; ● = 2nd revision; ● = 3rd revision; ● = use up existing stock; ⊗ = not interchangeable; ⊗ ① ● = for example: revision 2 is not interchangeable w/revision 1

Dual Marker-Double Acting Hydraulics



11369

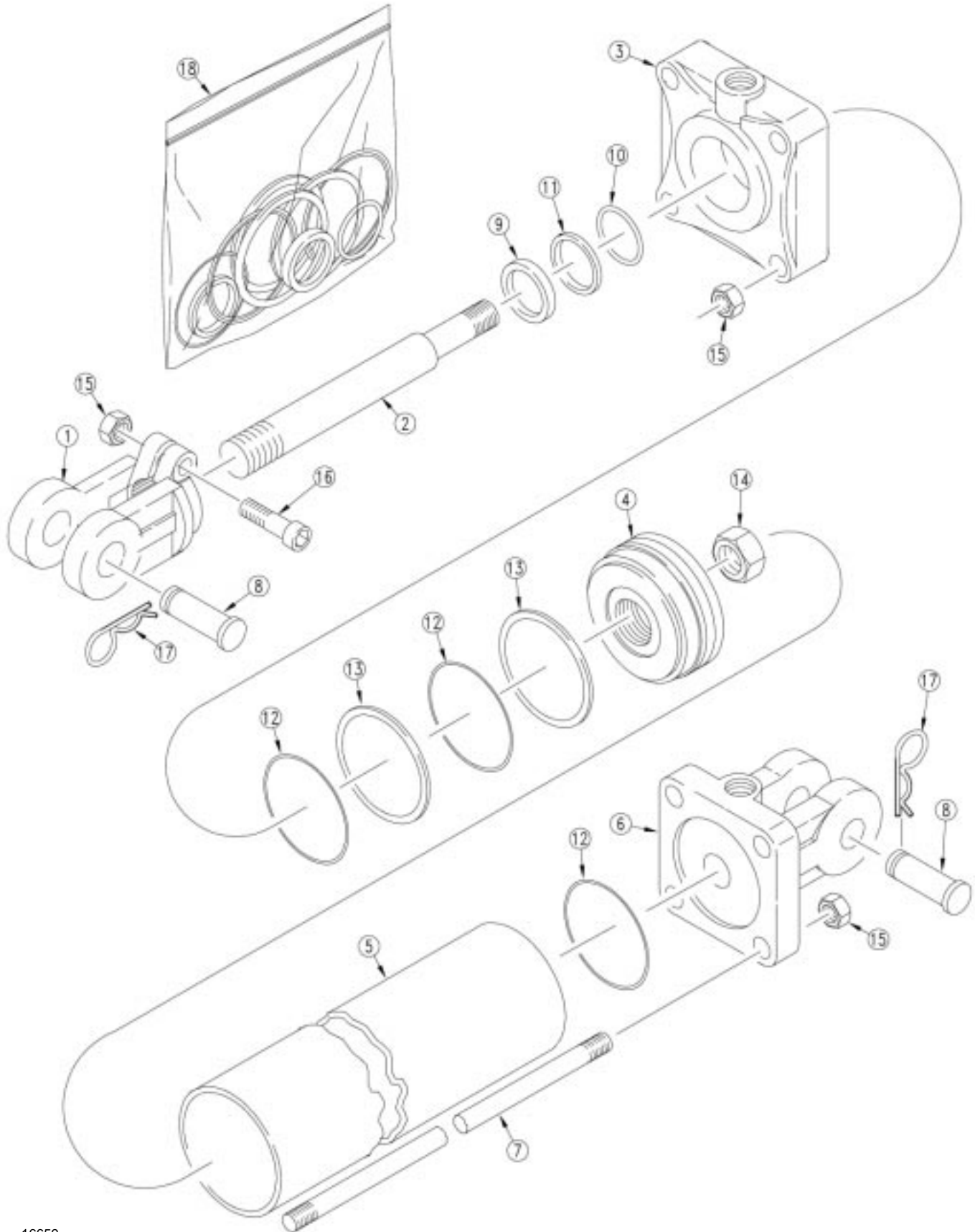


**Dual Marker-Double Acting Hydraulics**

Ref.	Part No.	Part Description	Comments
1.	811-057C	HH1/4R2 020 9/16FJIC	
2.	811-056C	HH1/4R2 045 9/16FJIC	
3.	811-066C	AD 9/16MJIC 1/2MNPT	
4.	810-023C	DOUBLE SELECTOR VALVE	Refer to page 11-33 for breakdown
5.	811-016C	AD 3/4MORB 1/2MNPT	
6.	113-154D	DOUBLE SELECTOR VALVE MOUNT	
7.	810-006C	VALVE SEQUENCE	Refer to page 11-35 for breakdown.
8.	811-133C	AD 9/16MJIC 3/4MORB	
9.	811-155C	AD 3/8MNPT 1/2MNPT	
10.	811-157C	EL 45 3/8MNPT 3/8FNPT	
11.	810-058C	VALVE 3/8 NEEDLE	
12.	811-154C	TE 3/8MNPT 9/16MJIC 9/16MJIC	
13.	811-035C	HH1/4R1 252 9/16FJIC 3/8MNPT	
	811-036C	HH1/4R1 216 9/16FJIC 3/8MNPT	
14.	811-026C	EL 3/8MNPT 3/8FNPT	
15.	810-005C	CYL 2X8X1.12 ROD SINGLE ACTING	Refer to page 11-29 for breakdown.
16.	811-058C	HH1/4R2 303 9/16FJIC 1/2MNPT	
17.	802-147C	HHCS 3/8-16X3 1/2 GR5	
18.	804-011C	WASHER FLAT 3/8 USS PLT	
19.	804-013C	WASHER LOCK SPRING 3/8 PLT	
20.	803-014C	NUT HEX 3/8-16 PLT	
21.	802-017C	HHCS 3/8-16X1 GR5	

**Legend:** ● = 1st revision; ● = 2nd revision; ● = 3rd revision; ● = use up existing stock; ⊗ = not interchangeable; ⊗ ① ● = for example: revision 2 is not interchangeable w/revision 1

Marker Midway Hydraulic Cylinder (810-118C)



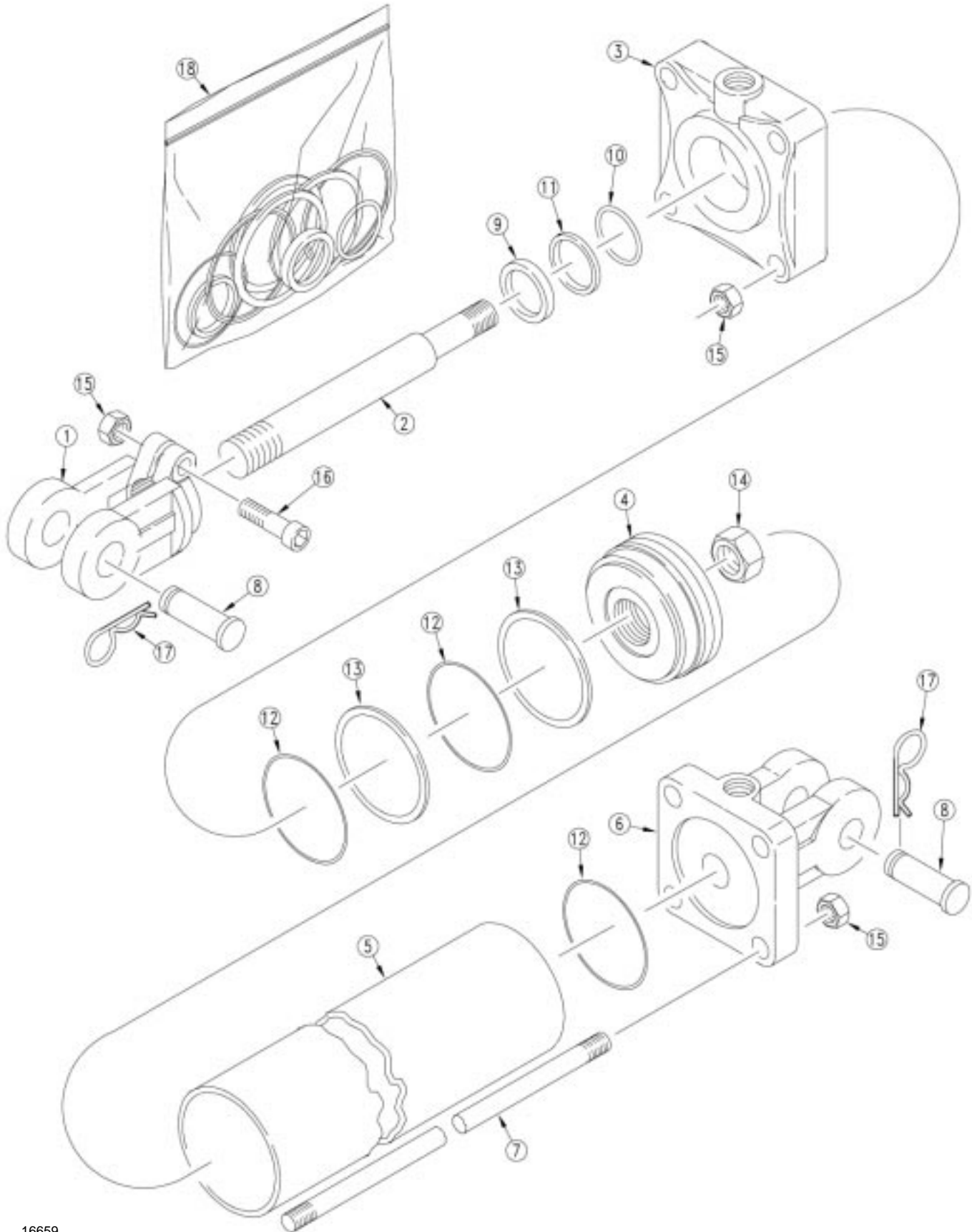
16659

**Marker Midway Hydraulic Cylinder (810-118C)**

Ref.	Part No.	Part Description	Comments
1.	1M6006	MW ROD CLEVIS	
2.	2M3326	MW ROD	
3.	3R0310	MW HEAD	
4.	4M3102	MW PISTON 2 1/2 CYL	
5.	5M3128	MW TUBE 2-1/2 X 20 CYLINDER	
6.	6R0158	MW BASE	
7.	7M3328	MW TIE ROD	
8.	2A0208	MW CLEVIS PIN	
9.		WIPER	Available only in item 18.
10.		O-RING	Available only in item 18.
11.		BACK UP ROD	Available only in item 18.
12.		O-RING	Available only in item 18.
13.		BACK UP	Available only in item 18.
14.	2A0022	MW NUT, PISTON	
15.	2A0012	MW NUT CLEVIS & TIE ROD	
16.	2A0006	MW CAPSCREW	
17.	2A0132	MW PIN CLIP	
18.	810-210C	SEAL KIT MW 2.5 CYL 3A3102	

**Legend:** ● = 1st revision; ● = 2nd revision; ● = 3rd revision; ● = use up existing stock; ⊗ = not interchangeable; ⊗ ① ● = for example: revision 2 is not interchangeable w/revision 1

Marker Cross Hydraulic Cylinder (810-118C)



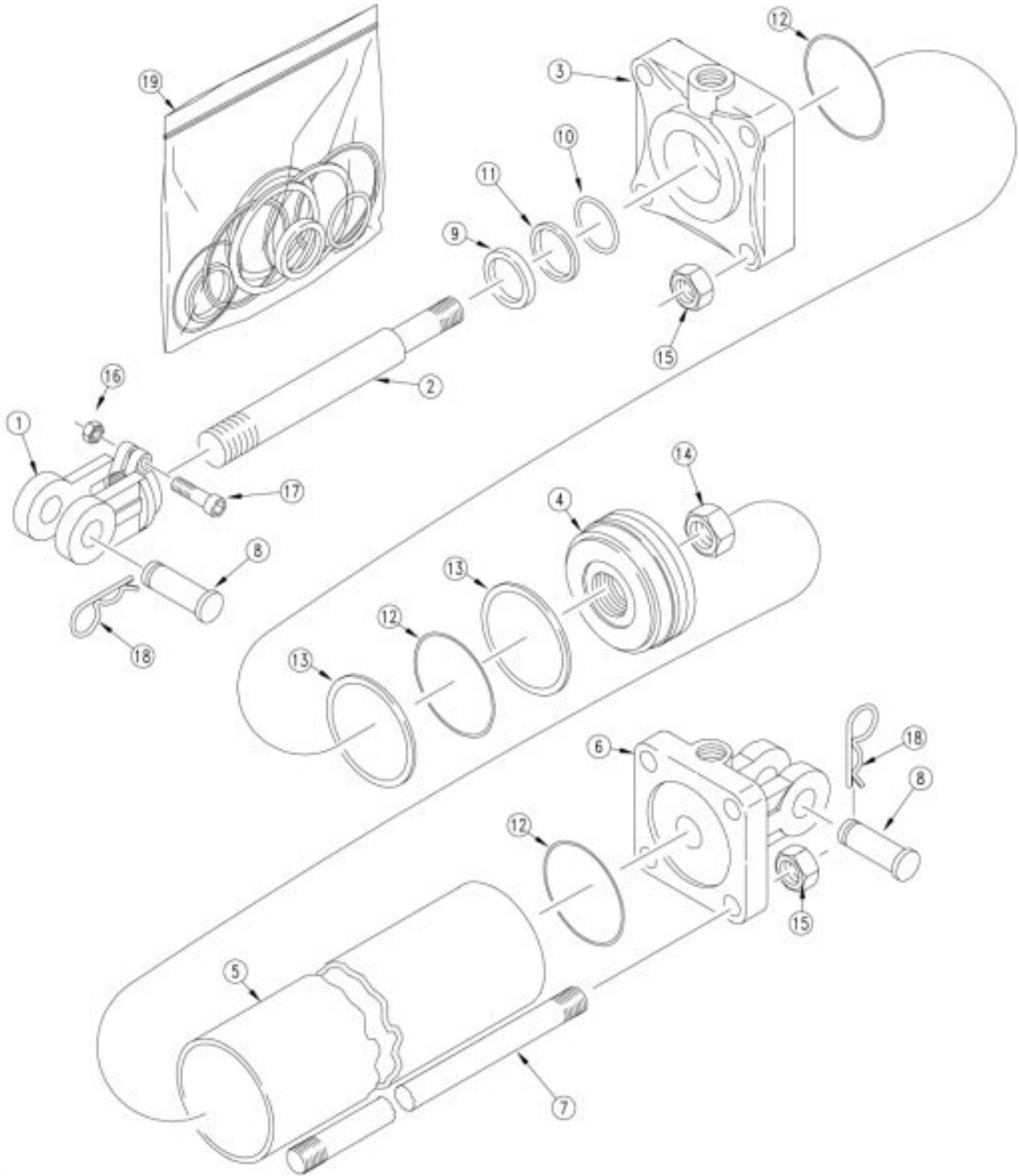
16659

**Marker Cross Hydraulic Cylinder (810-118C)**

Ref.	Part No.	Part Description	Comments
1.	1D1003-4	CROSS ROD CLEVIS	
2.	1D0204-2475	CROSS ROD	
3.	1D1155-13	CROSS HEAD	
4.	1D1401-250	CROSS PISTON	
5.	1D0005-2250	CROSS TUBE	
6.	4C2024	CROSS BASE	
7.	2A0578-2475	CROSS TIE ROD	
8.	1D1582-16275	CROSS PIN, CLEVIS (BASE END)	
9.		WIPER	Available only in item 18.
10.		O-RING	Available only in item 18.
11.		BACK UP ROD	Available only in item 18.
12.		O-RING	Available only in item 18.
13.		BACK UP	Available only in item 18.
14.	2A0246-12	CROSS NUT, PISTON	
15.	2A0235-6	CROSS NUT, CLEVIS & TIE ROD	
16.	2A0079-616	CROSS SCREW, CAP	
17.	2A0308-1	CROSS PIN, CLIP	
18.	810-119C	SEAL KIT 2.5 CROSS 3C4385	

**Legend:** ● = 1st revision; ● = 2nd revision; ● = 3rd revision; ● = use up existing stock; ⊗ = not interchangeable; ⊗ ① ● = for example: revision 2 is not interchangeable w/revision 1

Marker Midway Hydraulic Cylinder (810-019C)



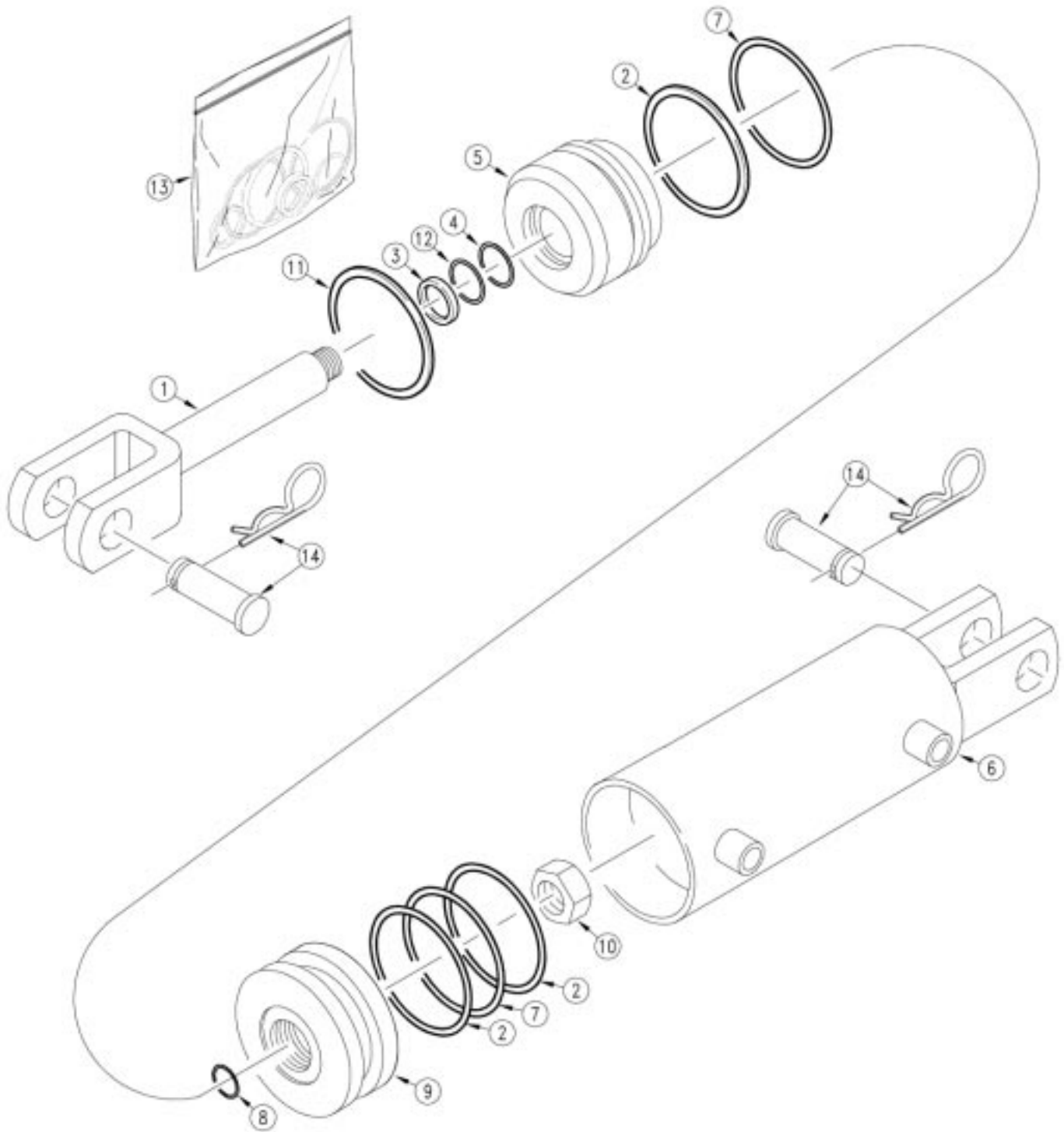
10035

**Marker Midway Hydraulic Cylinder (810-019C)**

Ref.	Part No.	Part Description	Comments
1.	1M7016	CLEVIS ROD MIDWAY	
2.	2M4428	MW ROD 1-1/4 DIA X 20 STROKE	
3.	3R1408	MW HEAD	
4.	4M4104	MW PISTON 3 DIA.	
5.	5M4128	MW TUBE 3 X 20 CYLINDER	
6.	6R1140	MW CLEVIS BASE	
7.	7M4328	MW TIE ROD	
8.	2A0208	MW CLEVIS PIN	
9.		MW WIPER	Available only in item 19.
10.		MW O-RING	Available only in item 19.
11.		MW BACK-UP	Available only in item 19.
12.		MW O-RING	Available only in item 19.
13.		MW BACK UP	Available only in item 19.
14.	2A0024	MW PISTON NUT 1-14	
15.	2A0014	MW TIE ROD NUT	
16.	2A0012	MW NUT CLEVIS & TIE ROD	
17.	2A0006	MW CAPSCREW	
18.	2A0132	MW PIN CLIP	
19.	810-015C	CYL SEAL KIT 3 X 7 MW 3A4104	

**Legend:** ● = 1st revision; ● = 2nd revision; ● = 3rd revision; ● = use up existing stock; ⊗ = not interchangeable; ⊗ ① ● = for example: revision 2 is not interchangeable w/revision 1

Marker Cylinder (810-005C)



14078

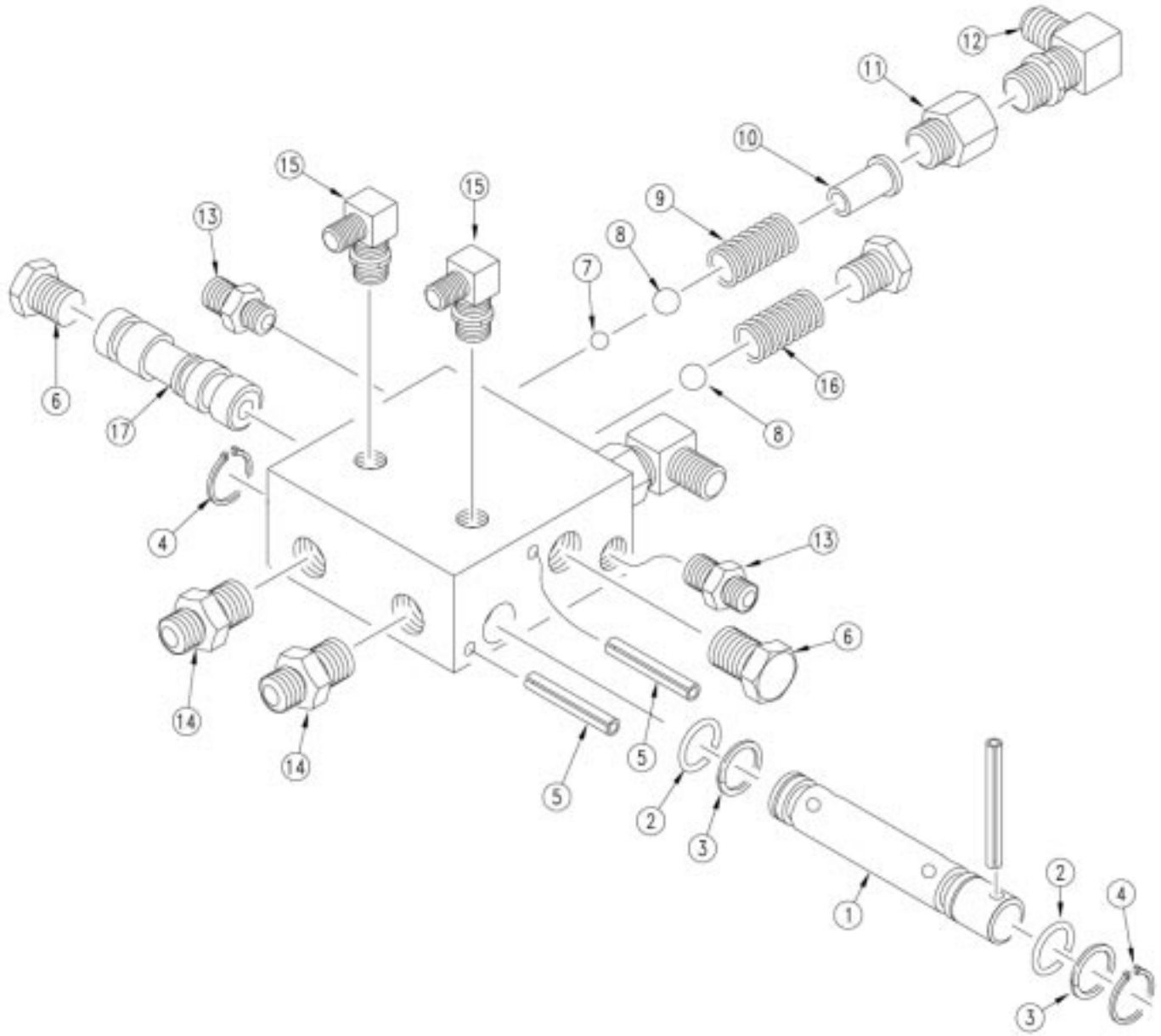


**Marker Cylinder (810-005C)**

Ref.	Part No.	Part Description	Comments
1.	A-2526	EGY PISTON ROD	
2.		EGY BACK-UP RING 2" OD	Available only in item 13.
3.		EGY WIPER ROD	Available only in item 13.
4.		EGY O-RING 1 1/8" ID X 1 1/8" OD	Available only in item 13.
5.	A-1906	EGY PISTON ROD GUIDE	
6.	B-988	EGY CYLINDER BODY	
7.		EGY O-RING 1 5/8" ID X 2"OD	Available only in item 13.
8.		EGY O-RING 3/4" ID X 7/8" OD	Available only in item 13.
9.	A-1845	EGY PISTON	
10.	82464	EGY 7/8-14UNF REG HEX LOCK NUT	
11.	83198	EGY RETAINER RING INTERNAL	
12.		EGY BACKUP RING 1 3/8" OD	Available only in item 13.
13.	810-012C	CYL SEAL KIT 2 X 8 (ENERGY)	
14.	805-004C	PIN CLEVIS 1 X 2 3/4 USABLE LG	

**Legend:** ● = 1st revision; ● = 2nd revision; ● = 3rd revision; ● = use up existing stock; ⊗ = not interchangeable; ⊗ ① ● = for example: revision 2 is not interchangeable w/revision 1

Marker Selector Sequence Valve (810-085C)

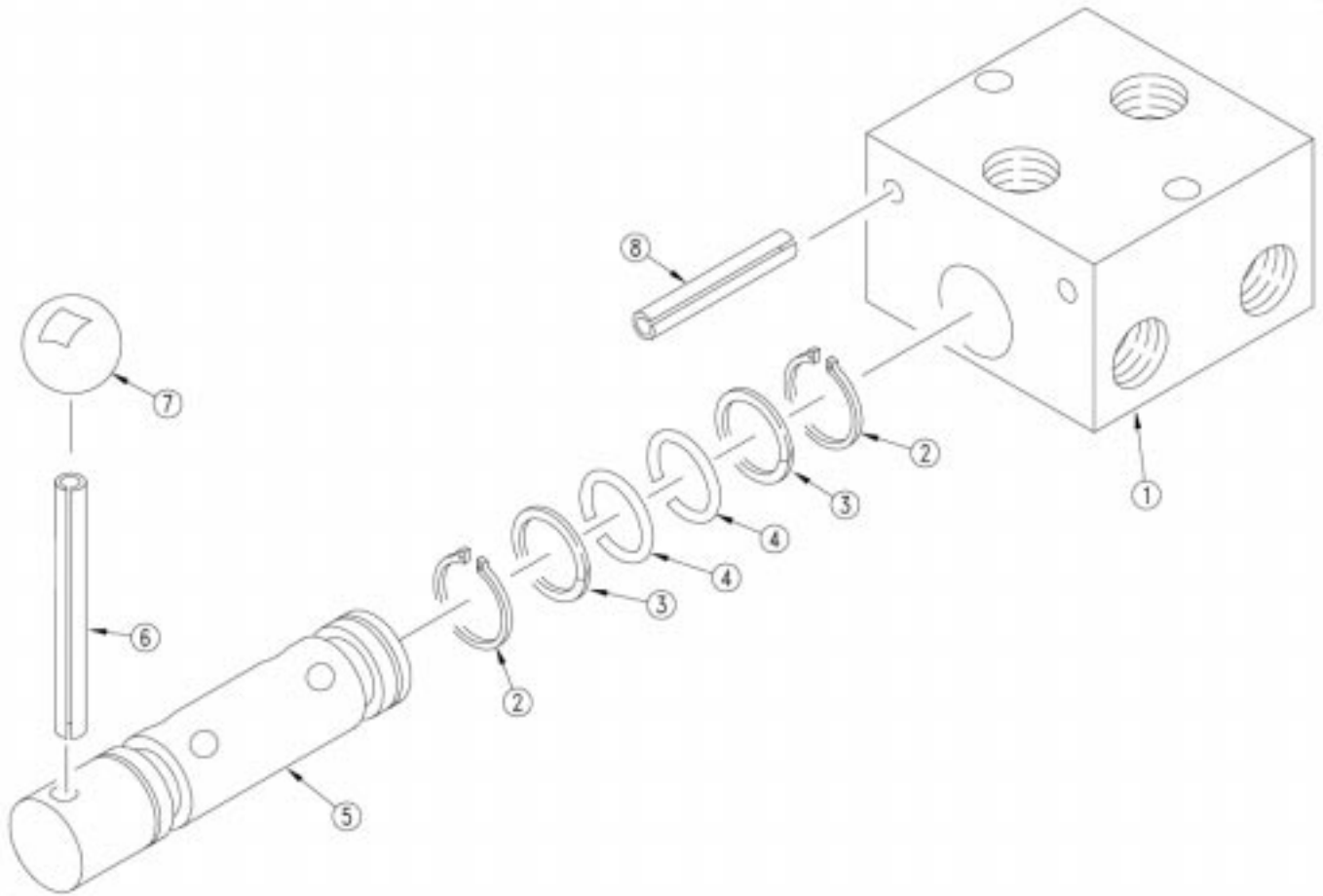


**Marker Selector Sequence Valve (810-085C)**

Ref.	Part No.	Part Description	Comments
1.	2044	SHOEMAKER SPOOL SELECTOR	
2.	1088-210	SHOEMAKER O-RING BUNA N 70DURO	
3.	1089-210	SHOEMAKER TEFLON BACK UP	
4.	1079	SH RETAINING RING TRU ARC	
5.	1084	SH PIN, SPRING 0.25 DIAMETER	
6.	1132-10	SHOEMAKER PLUG, HEX SAE #10	
7.	1087-250	BALL, STEEL 1/4 DIAMETER	
8.	1087-437	SHOEMAKER 7/16 DIA STEEL BALL	
9.	1042	SPRING	
10.	1066	ORIFICE & GUIDE FOR 810-085C	
11.	1022	SH PORT ADAPTOR	
12.	1091-4-6	SHOEMAKER 1/4 NPT TO #6JIC ELB	
13.	1092-6-6	SHOEMAKER SAE #6 TO #6 STRGHT	
14.	1092-6-6	SHOEMAKER SAE #6 TO #6 STRGHT	
15.	1093-6-6	SHOEMAKER SAE #6 TO #6 JIC ELB	
16.	1099	SHOEMAKER SPRING DETENT	
17.	2087	SHOEMAKER SPOOL	

**Legend:** ● = 1st revision; ● = 2nd revision; ● = 3rd revision; ● = use up existing stock; ⊗ = not interchangeable; ⊗ ① ● = for example: revision 2 is not interchangeable w/revision 1

*Marker Double Selector Valve (810-023C)*



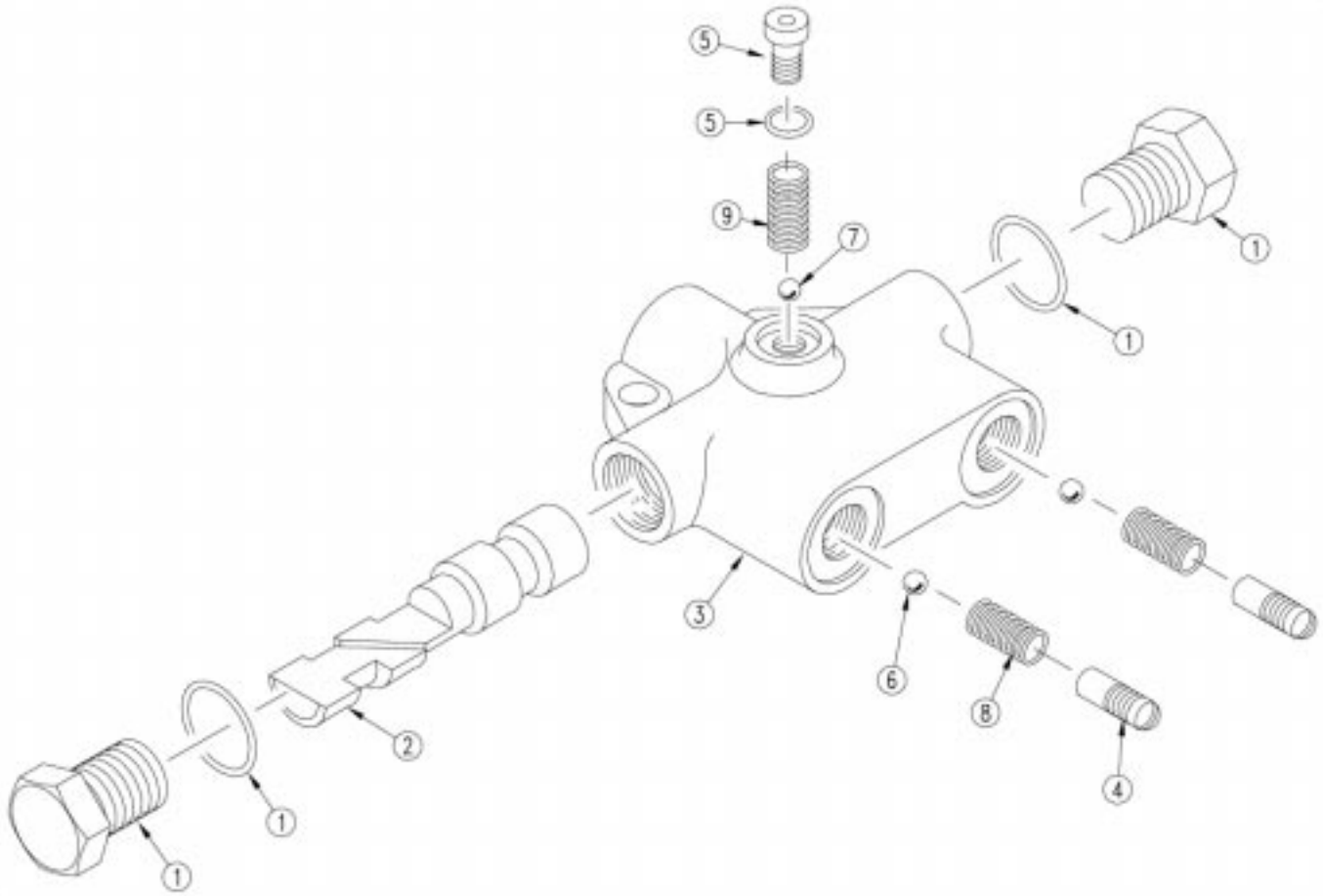
10038

**Marker Double Selector Valve (810-023C)**

Ref.	Part No.	Part Description	Comments
1.	3062	SHOEMAKER BODY	
2.	1079	SH RETAINING RING TRU ARC	
3.	1089-210	SHOEMAKER TEFLON BACK UP	
4.	1088-210	SHOEMAKER O-RING BUNA N 70DURO	
5.	2007	SHOEMAKER SPOOL	
6.	1083	SHOEMAKER PIN SPRING 0.312 DIA X 4 LONG	
7.	1097	SHOEMAKER KNOB PLASTIC 1 DIA	
8.	1084	SH PIN, SPRING 0.25 DIAMETER	

**Legend:** ① = 1st revision; ② = 2nd revision; ③ = 3rd revision; ● = use up existing stock; ⊗ = not interchangeable; ⊗ ① ② = for example: revision 2 is not interchangeable w/revision 1

**Marker Sequence Valve (810-006C)**



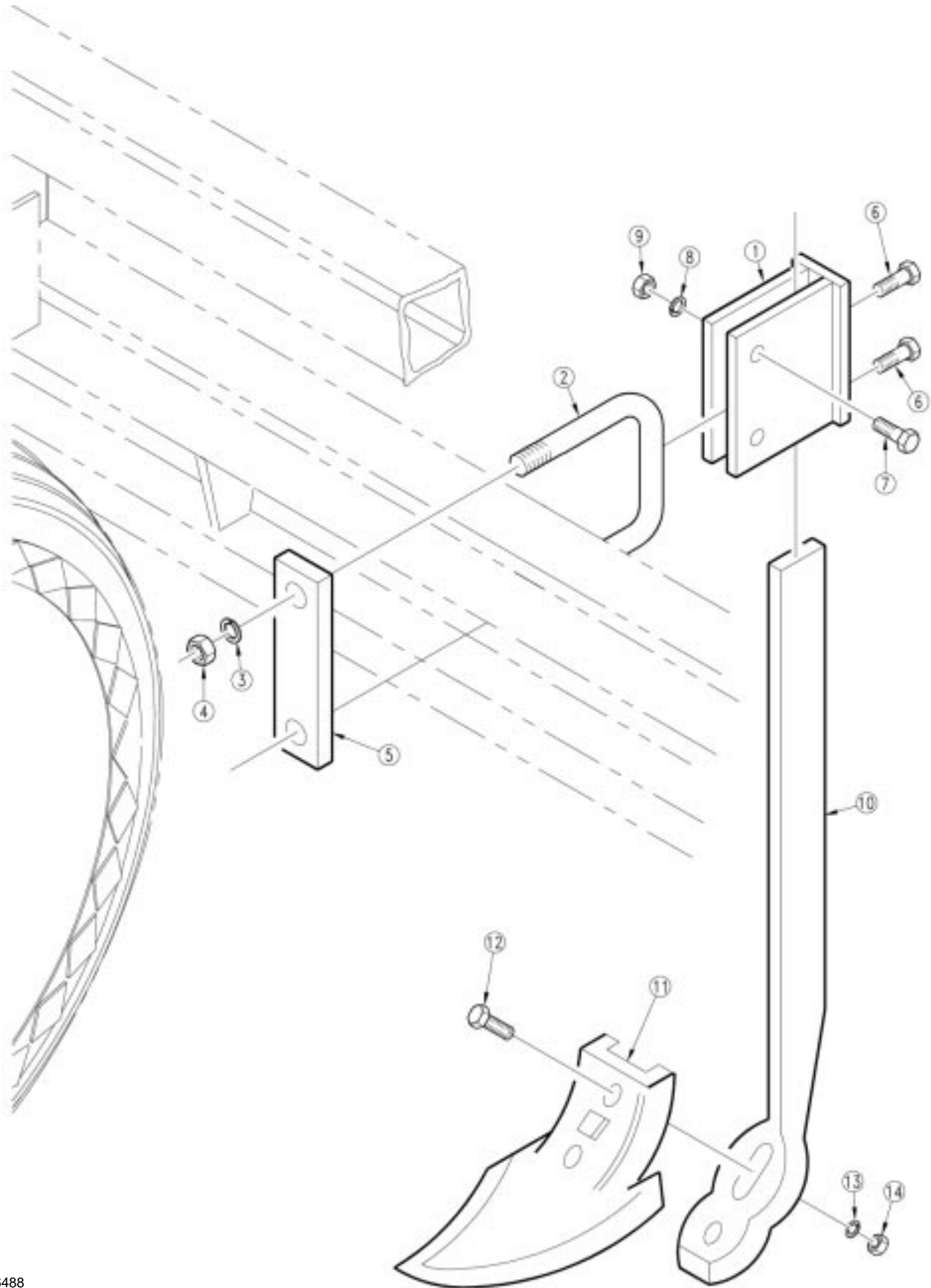
10037

**Marker Sequence Valve (810-006C)**

Ref.	Part No.	Part Description	Comments
1.	1V1880	CRS O-RING PLUG ASSY - SEQ VLV	
2.	1V1882	CRS SPOOL	
3.	1V2003	CRS BODY MACHINING	
4.	1V2003	CRS BODY MACHINING	
5.	3-V4153-022	CRS O-RING PLUG ASSY - SEQ VLVS	
6.	2A0017-6	CRS 3/16 BALL - SEQ VALVE	
7.	2A0017-8	CRS 1/4 BALL - SEQ VALVE	
8.	2A9018-3	CRS CHECK VALVE SPRING - SEQ V	
9.	2A9024-1	CRS SPRING - SEQ VALVE	
	2A0353-12	CRS SHIPPING PLUG - SEQ VALVE	Not shown.

**Legend:** ● = 1st revision; ● = 2nd revision; ● = 3rd revision; ● = use up existing stock; ⊗ = not interchangeable; ⊗ ① ● = for example: revision 2 is not interchangeable w/revision 1

**Gauge Wheel Track Removers**



16488



**Gauge Wheel Track Removers**

Ref.	Part No.	Part Description	Comments
1.	116-004H	GW TRACK REMOVER PLATE ASS'Y	
2.	806-003C	U-BOLT 5/8-11 X 3 17/32 X5 7/8	
3.	804-022C	WASHER LOCK SPRING 5/8 PLT	
4.	803-021C	NUT HEX 5/8-11 PLT	
5.	116-011D	TRACK REMOVER MOUNTING PLATE	
6.	802-091C	HHCS 1/2-13X1 1/2 GR5	
7.	802-038C	HHCS 1/2-13X2 1/4 GR5	
8.	804-015C	WASHER LOCK SPRING 1/2 PLT	
9.	803-020C	NUT HEX 1/2-13 PLT	
10.	820-015C	GW TRACK REMOVER SHANK	
11.	820-014C	GW TRACK REMOVER SWEEP	
12.	802-355C	PLOW 7/16-14X2 1/4 GR5	
13.	804-014C	WASHER LOCK 7/16 PLT	
14.	803-015C	NUT HEX 7/16-14 PLT	

**Legend:** ● = 1st revision; ● = 2nd revision; ● = 3rd revision; ● = use up existing stock; ⊗ = not interchangeable; ⊗ ① ● = for example: revision 2 is not interchangeable w/revision 1